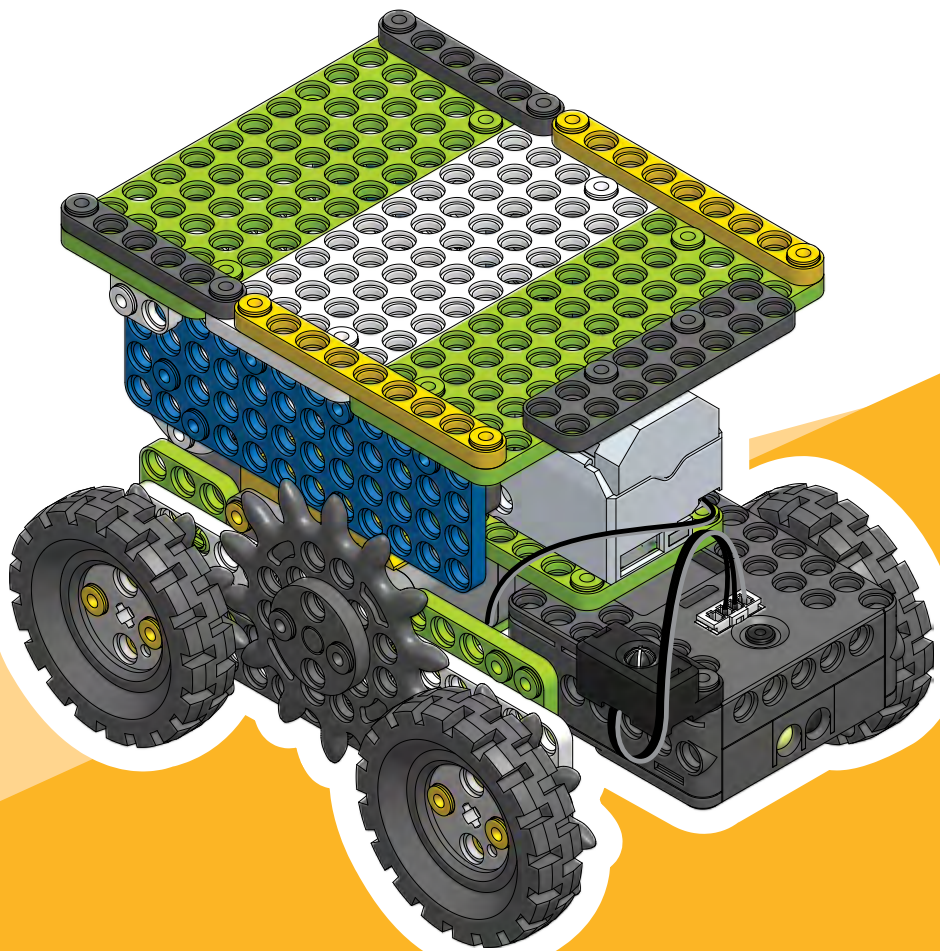


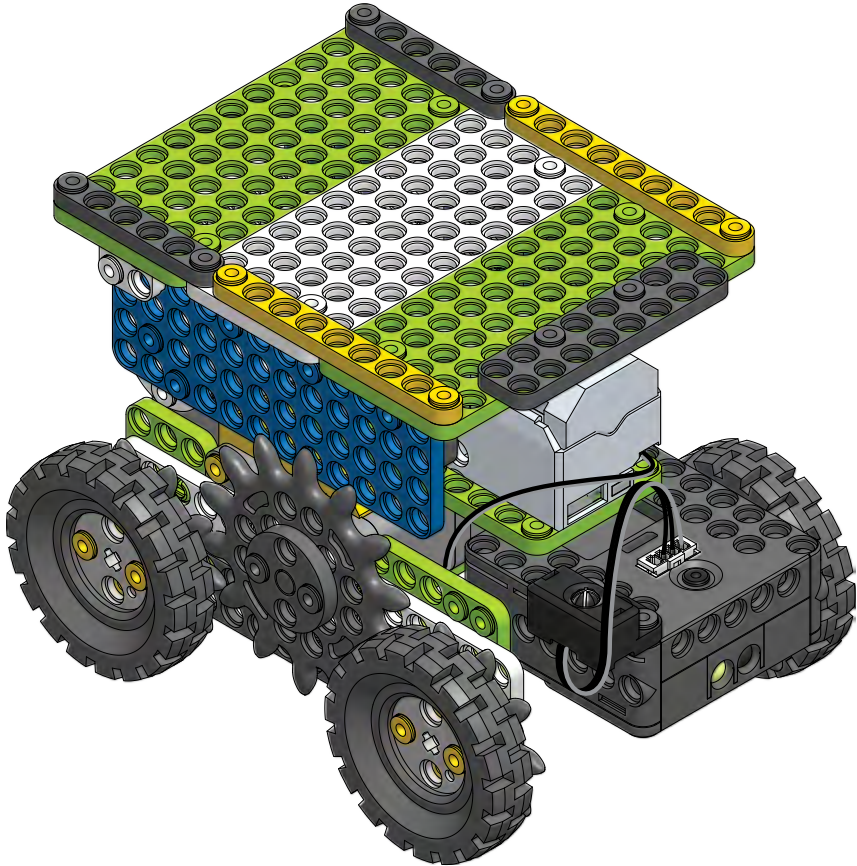


Four-wheel drive car



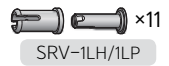
Let's build!

Let's build a robot.

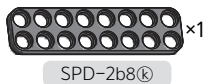


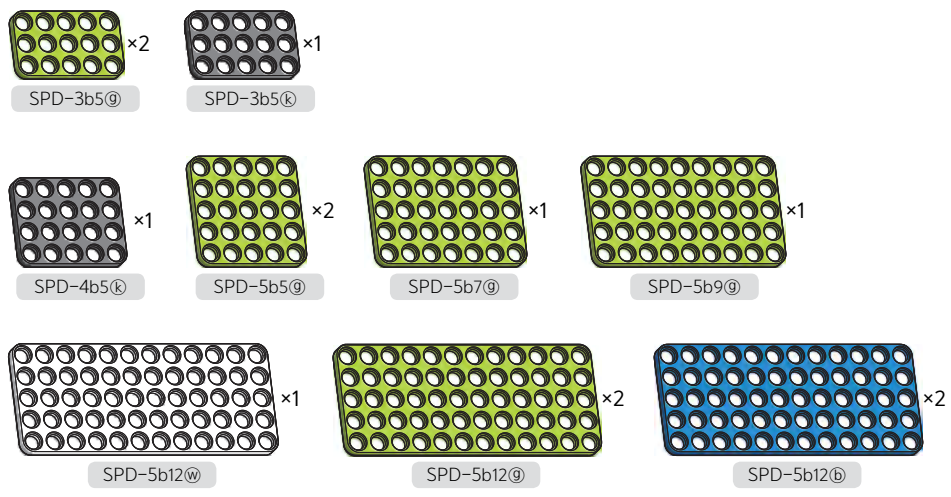
This chapter requires the following parts.

Rivet

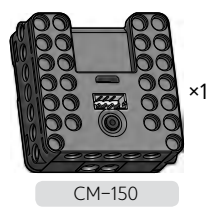


Plate

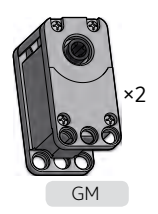




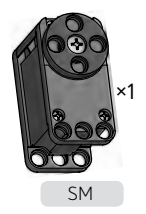
Controller



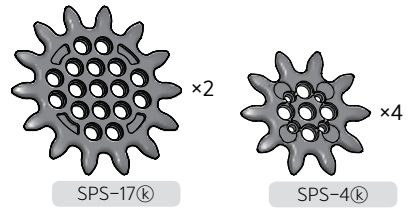
Geared motor



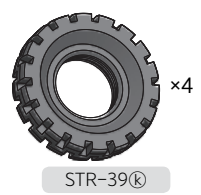
Servo motor



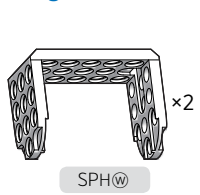
Sprocket



Tire



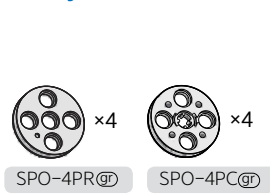
Hinge



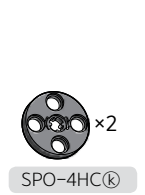
Adaptor



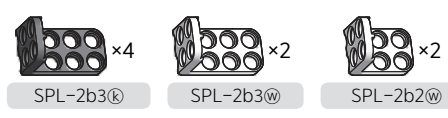
Pulley



Cross horn



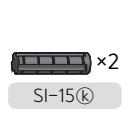
Bracket



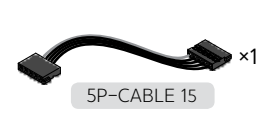
Spacer



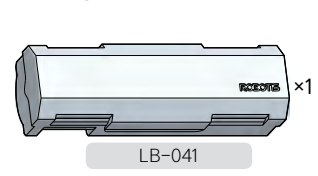
Spindle



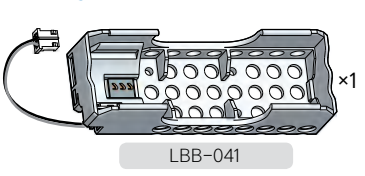
Cable



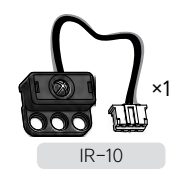
Battery



Battery box

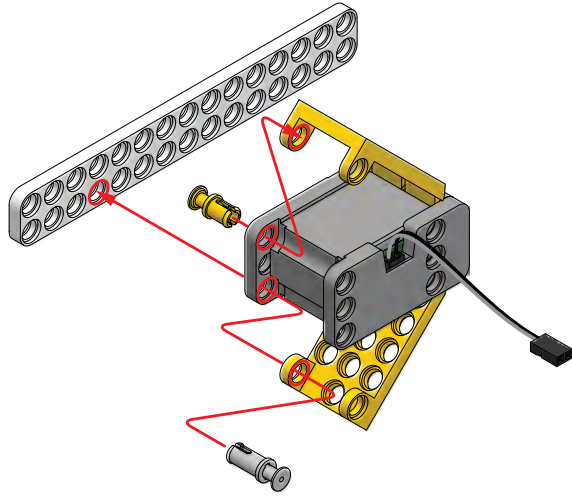
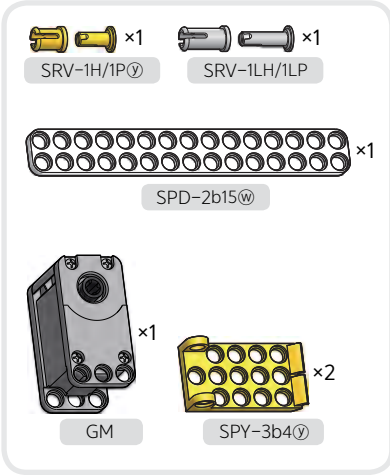


IR Receiver

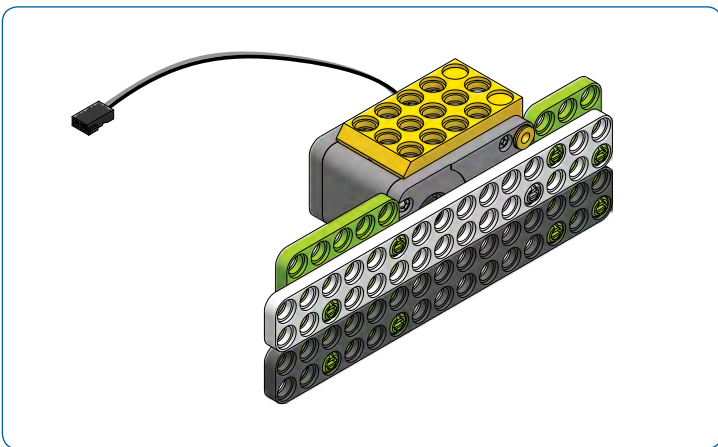
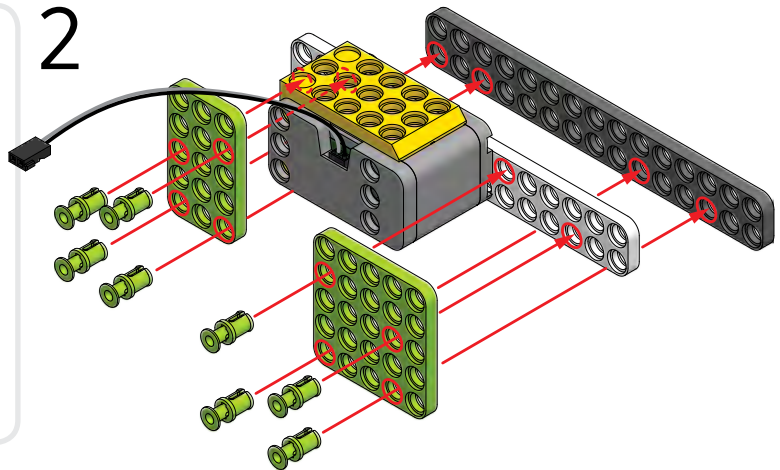
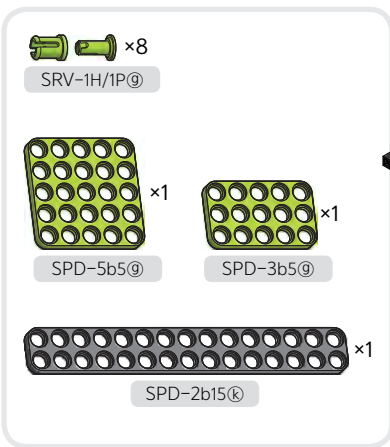



Building the four-wheeled car


1

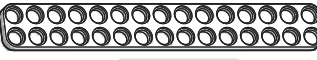



2




 ×1
 SRV-1H/1P[Ⓜ]

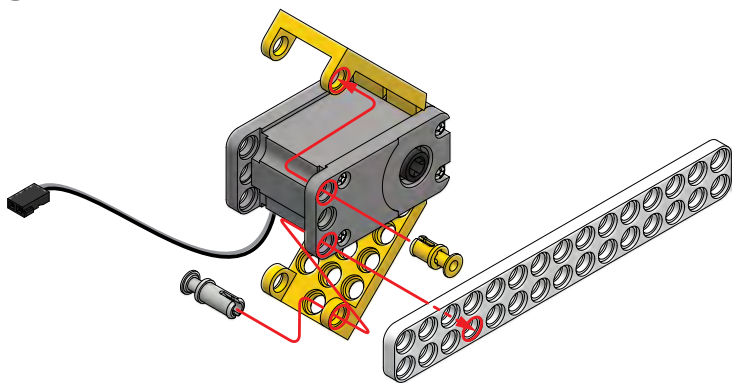
 ×1
 SRV-1LH/1LP

 ×1
 SPD-2b15[Ⓜ]

 ×1
 GM

 ×2
 SPY-3b4[Ⓜ]

3



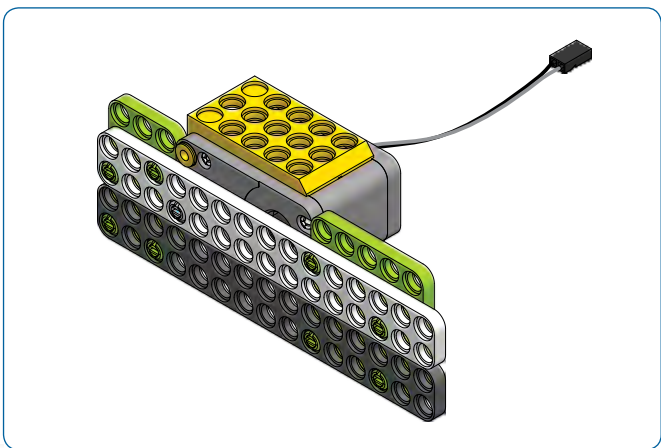
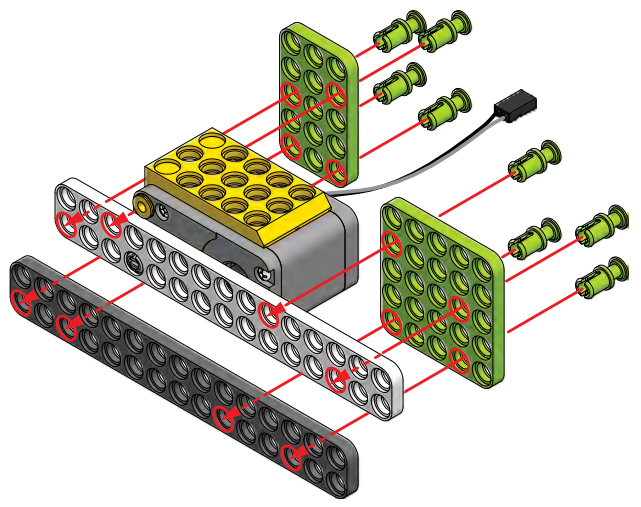
 ×8
 SRV-1H/1P[Ⓜ]

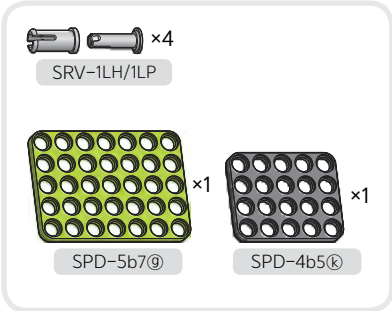
 ×1
 SPD-5b5[Ⓜ]

 ×1
 SPD-3b5[Ⓜ]

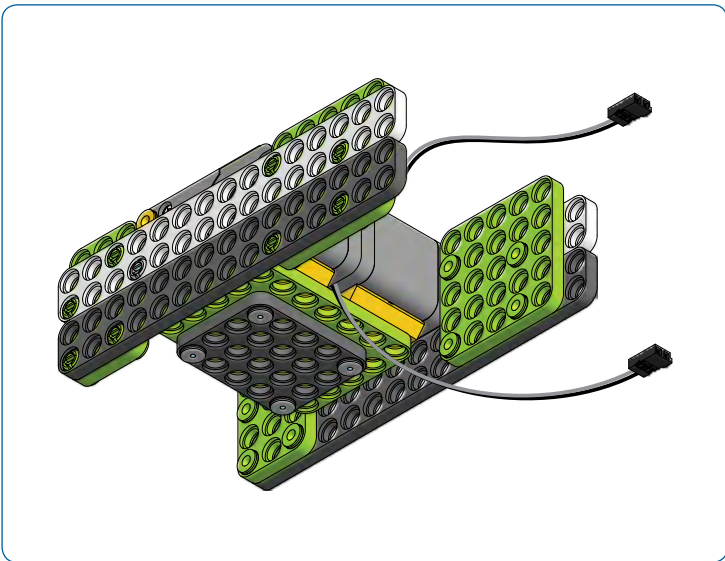
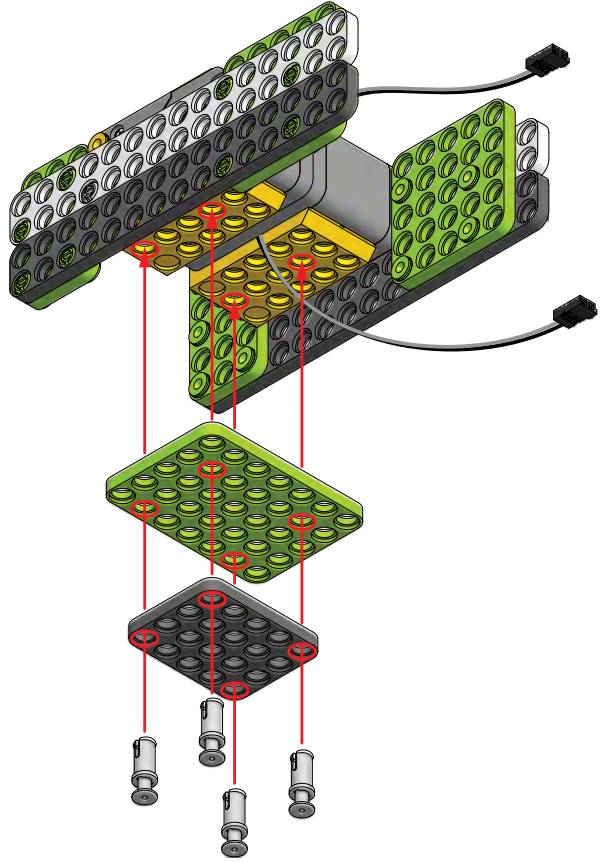
 ×1
 SPD-2b15[Ⓜ]

4



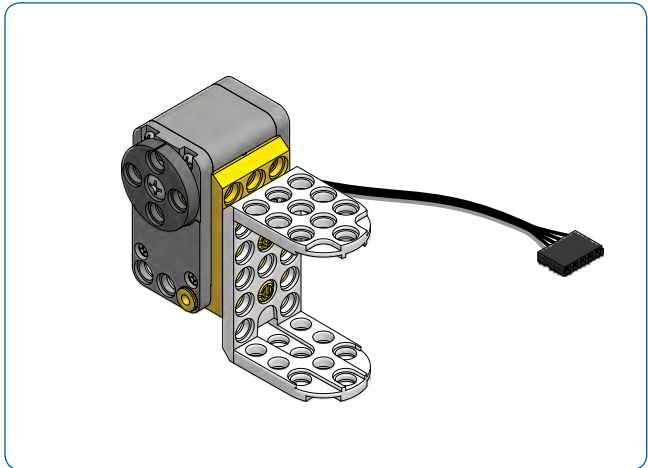
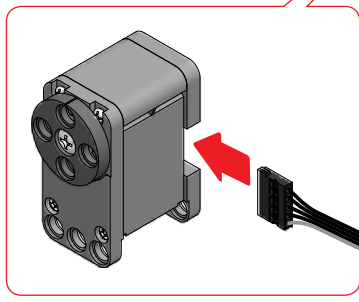
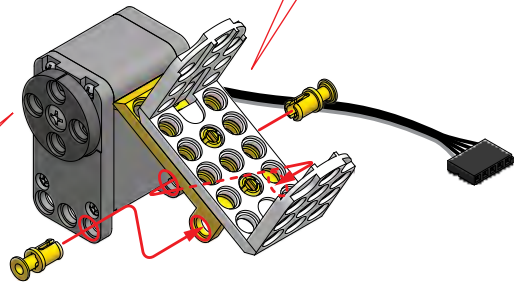
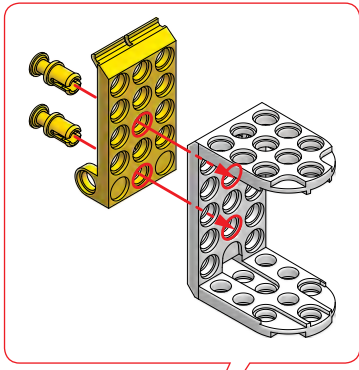



5



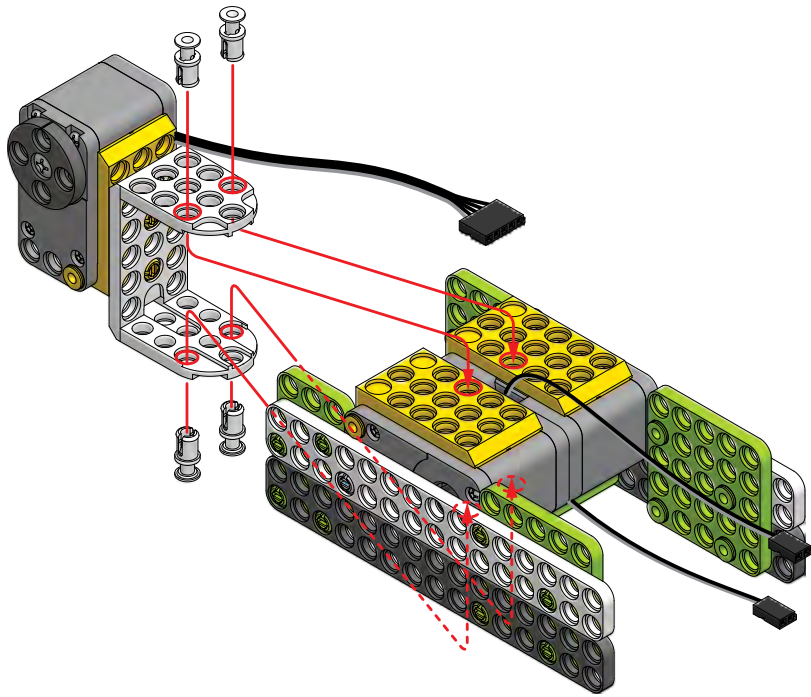
6

- SRV-1H/1P Ⓟ x4
- SPY-3b4 Ⓟ x1
- SM x1
- SPH Ⓟ x1
- 5P-CABLE 15 x1



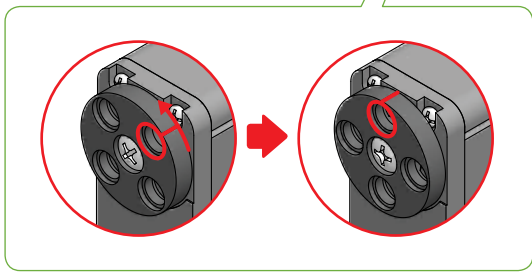
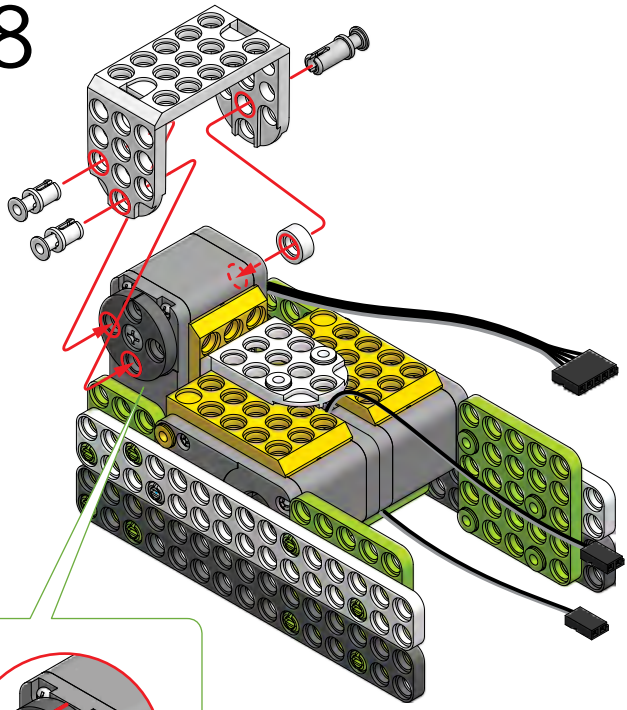
 x4
SRV-1H/1P®

7



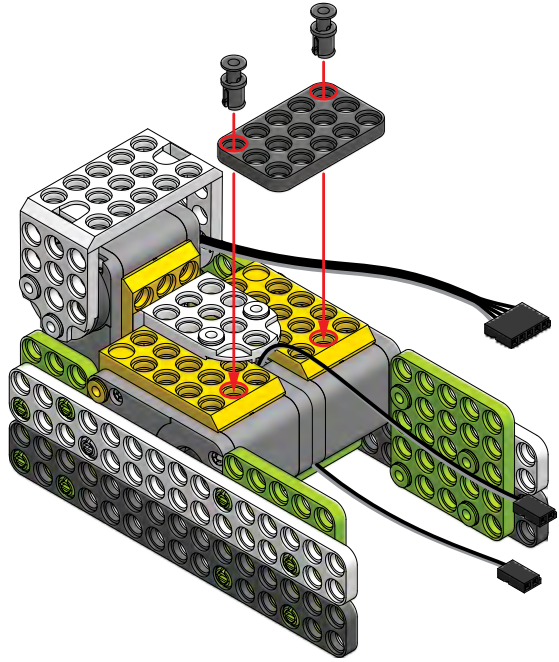
- SRV-1H/1PⓂ ×2
- SRV-1LH/1LP ×1
- SPHⓂ ×1
- SPO-1AⓂ ×1

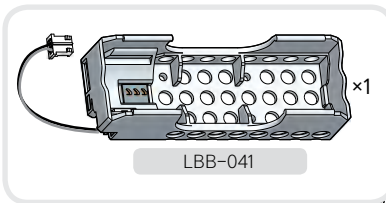
8



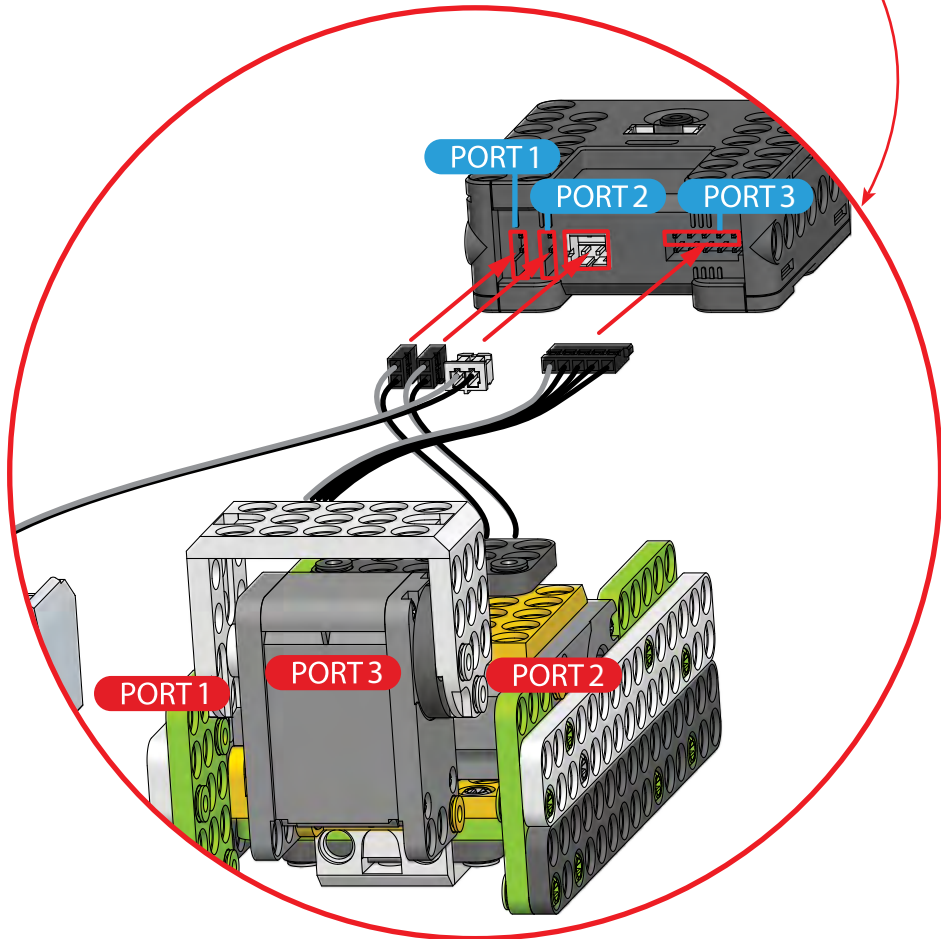
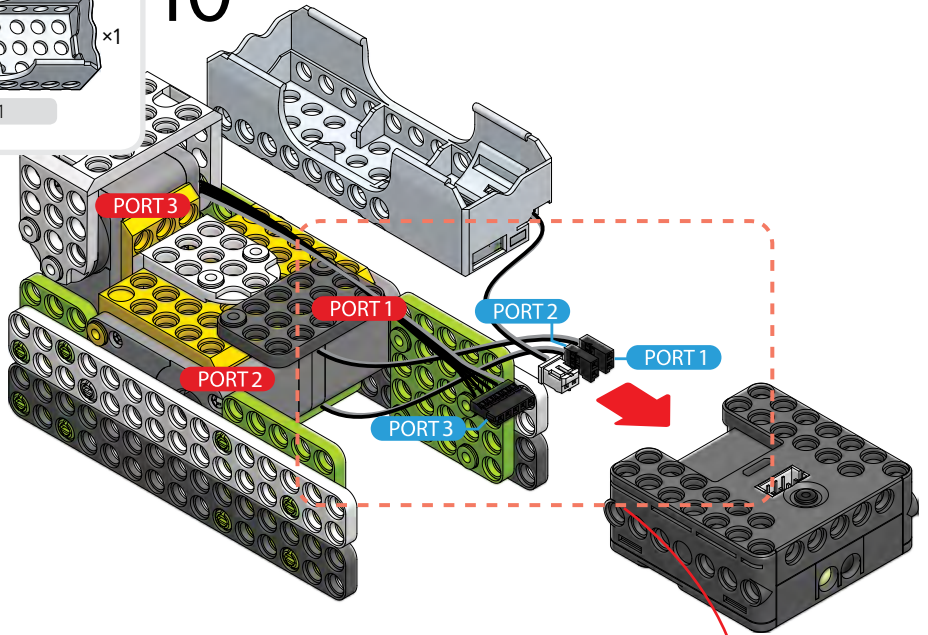
- SRV-1H/1PⓀ ×2
- SPD-3b5Ⓚ ×1

9







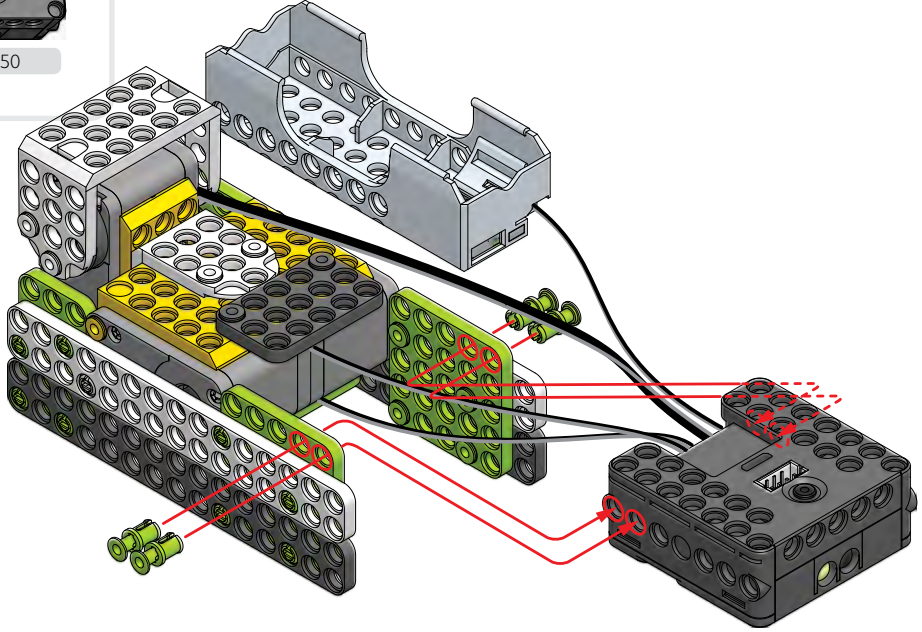
10




11

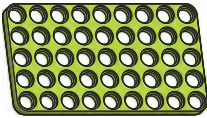
 x4
 SRV-1H/1P®

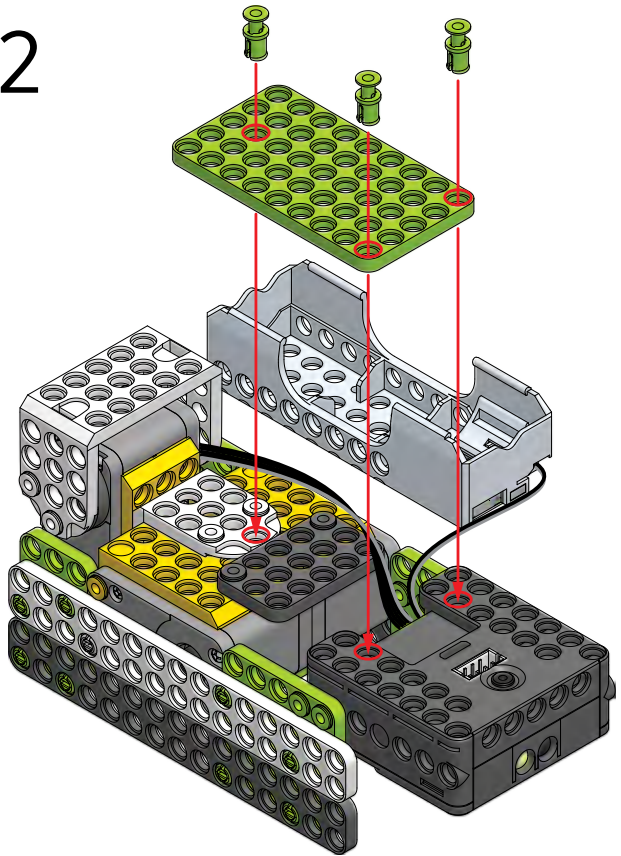
 x1
 CM-150




12

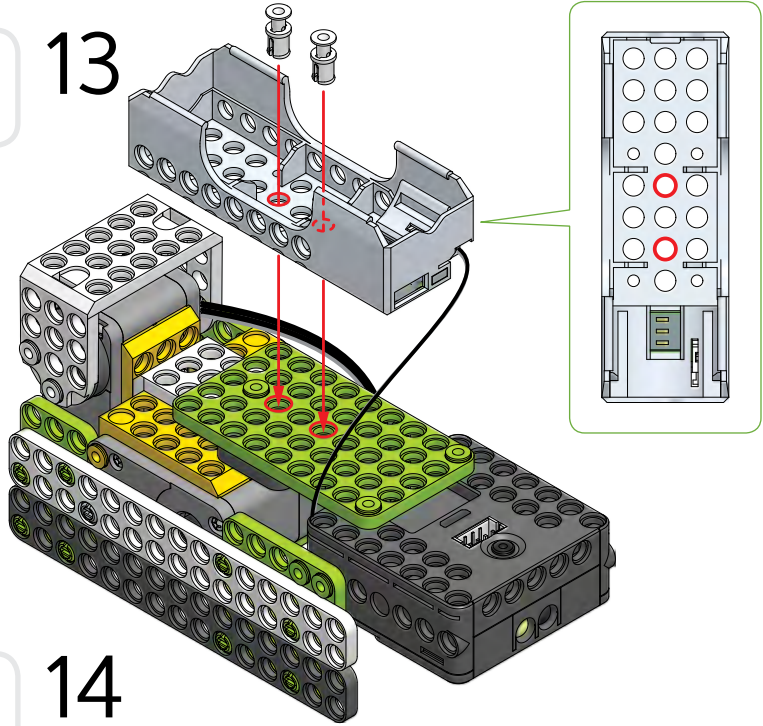
 x3
 SRV-1H/1P®




 x1
 SPD-5b9®



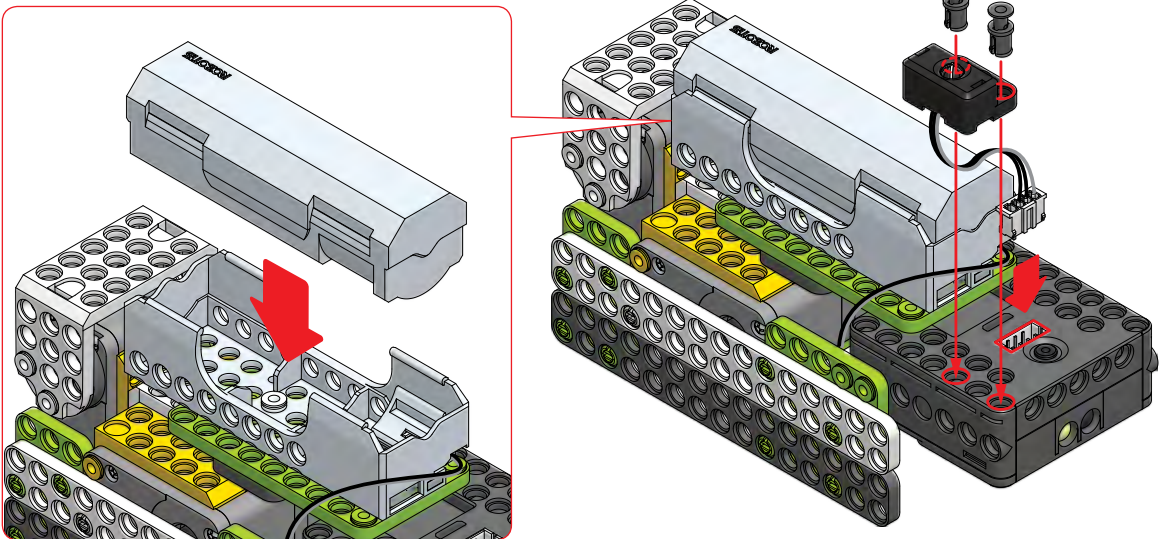
- 
 ×2
 SRV-1H/1P®

13







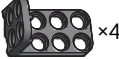
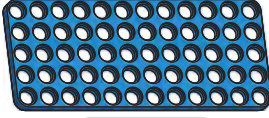
- 
 ×2
 SRV-1H/1P®
- 
 ×1
 IR-10
- 
 ×1
 LB-041

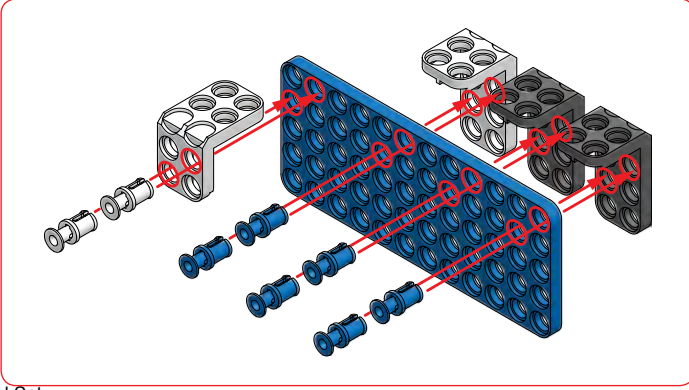
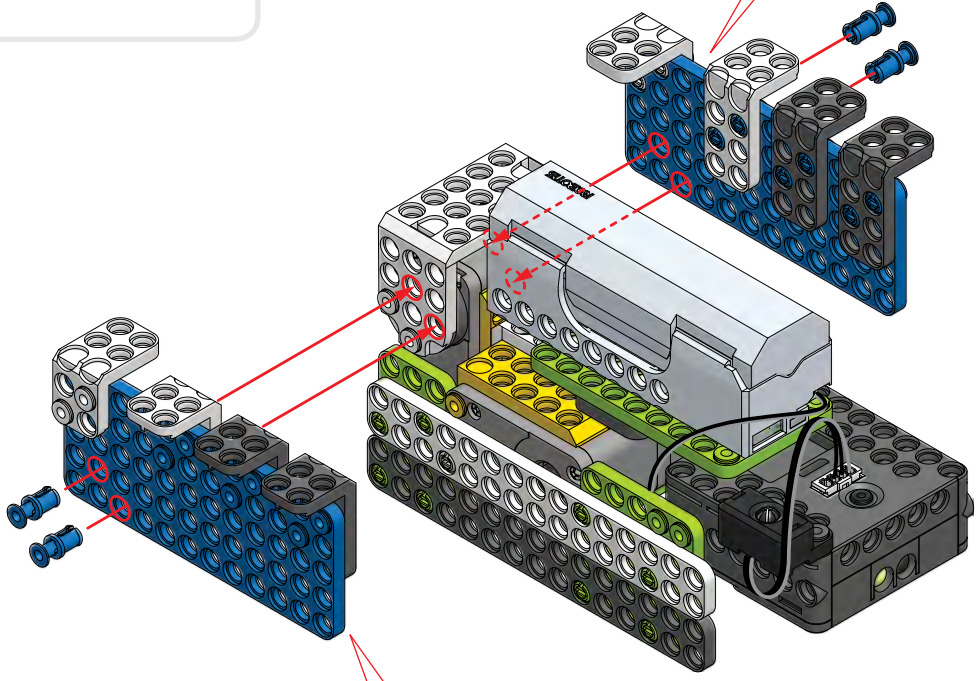
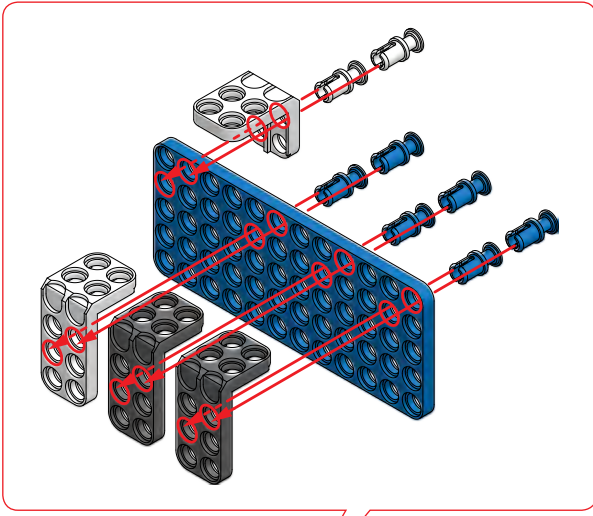
14





15

-  ×4
-  ×16
-  ×2
-  ×2
-  ×4
-  ×2



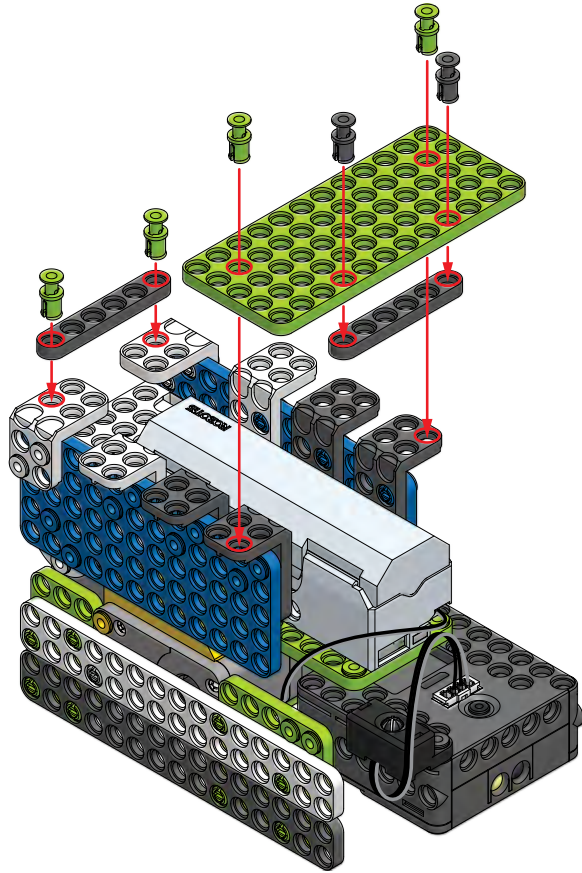
 x4
 SRV-1H/1PⓄ


 x2
 SRV-1H/1PⓀ


 x2
 SPI-1b6Ⓚ

 x1
 SPD-5b12Ⓞ

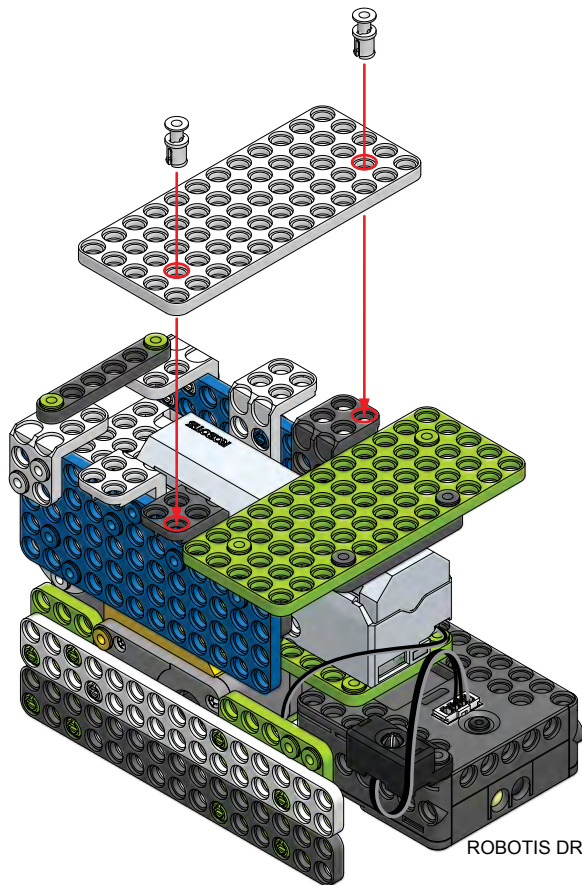
16



 x2
 SRV-1H/1PⓀ

 x1
 SPD-5b12Ⓞ

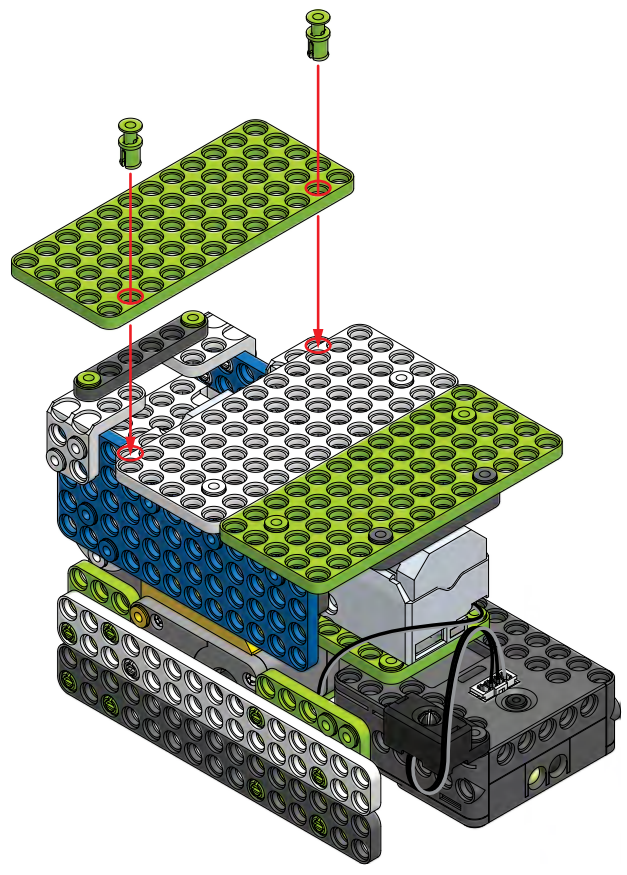
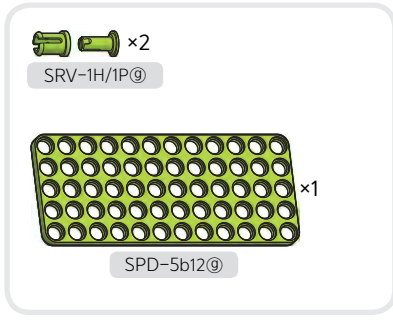
17



18

SRV-1H/1P ⊕ ×2

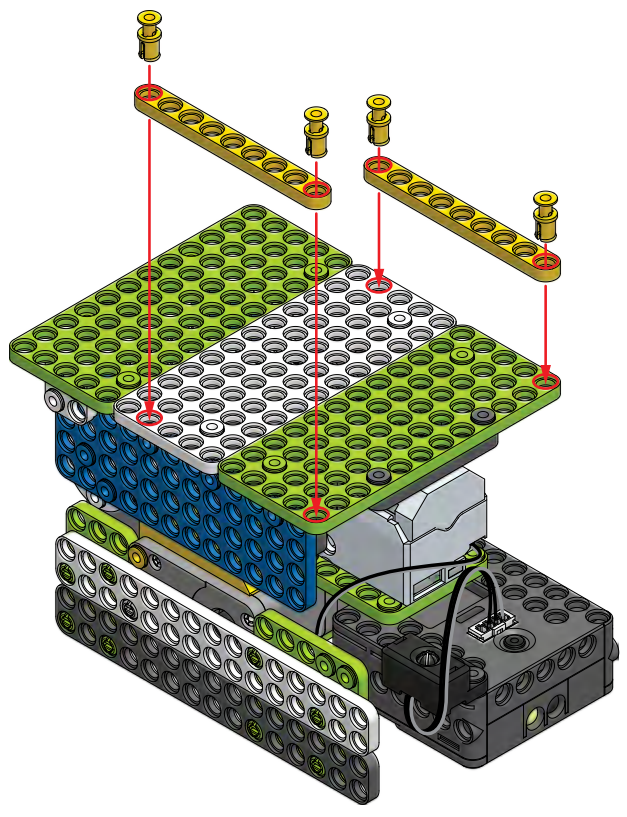
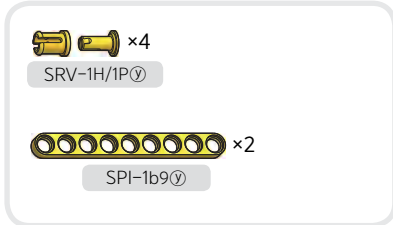
SPD-5b12 ⊕ ×1

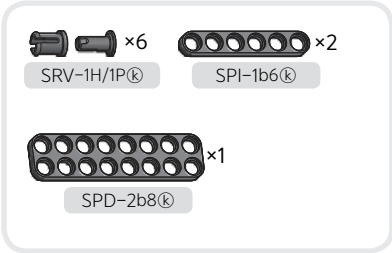


19

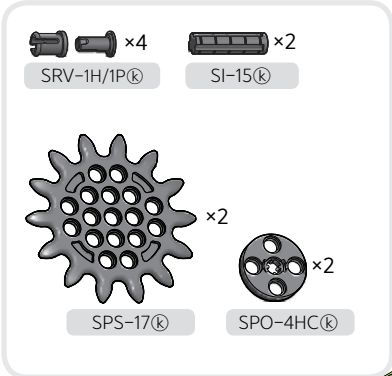
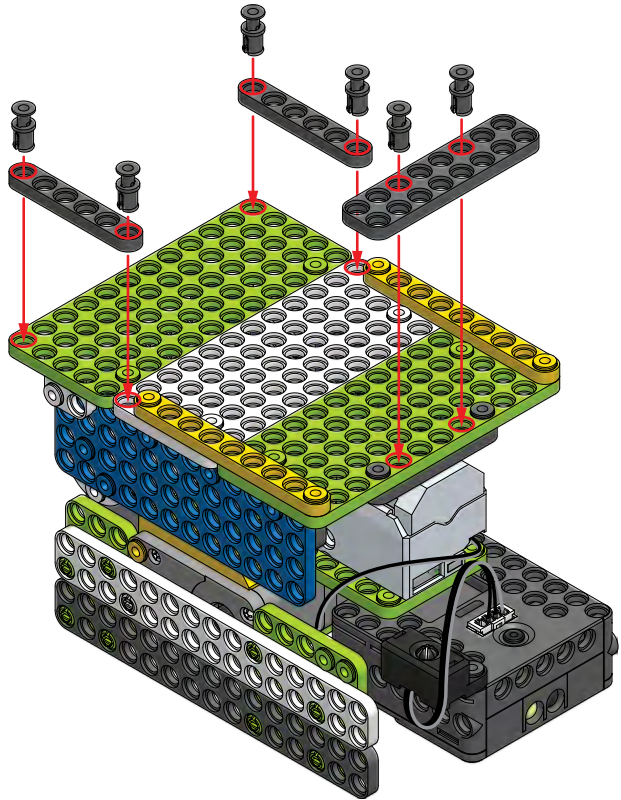
SRV-1H/1P ⊕ ×4

SPI-1b9 ⊕ ×2

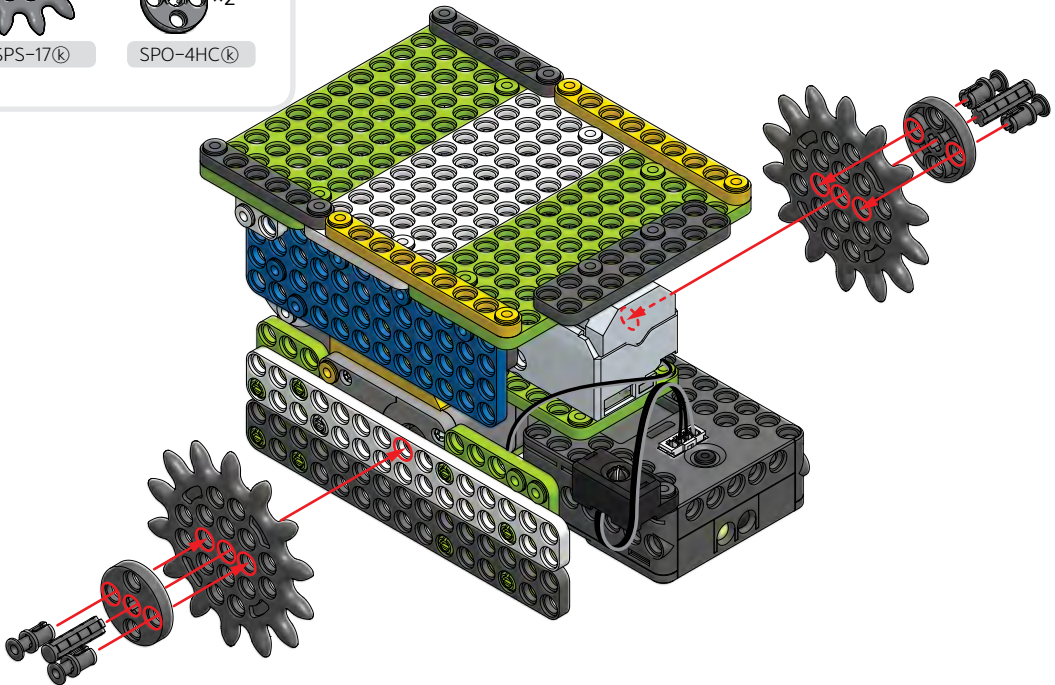




20



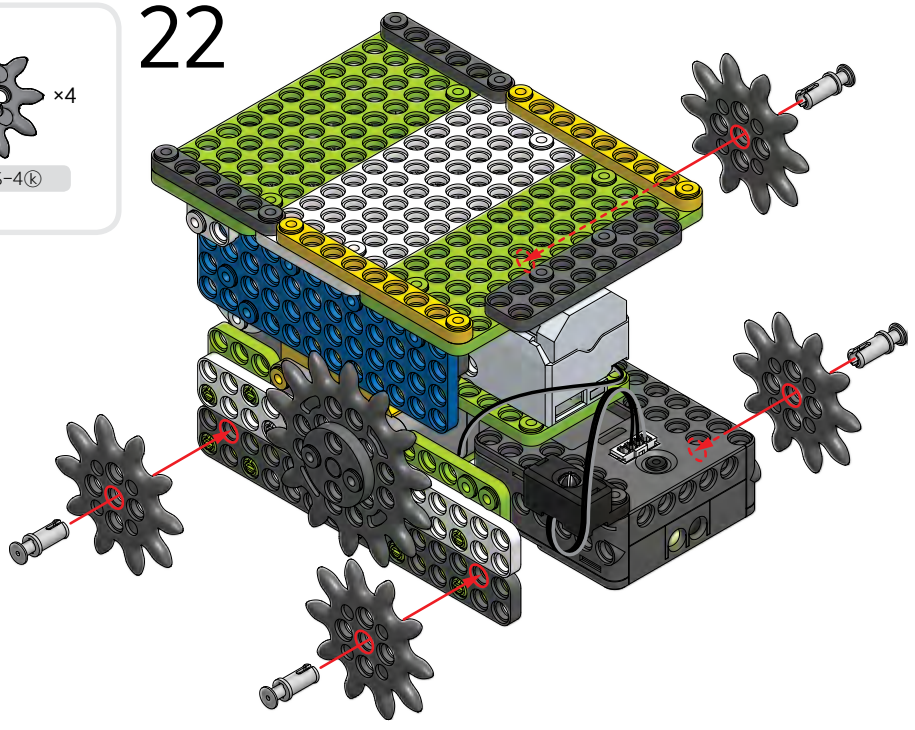
21



22

SRV-1LH/LP x4

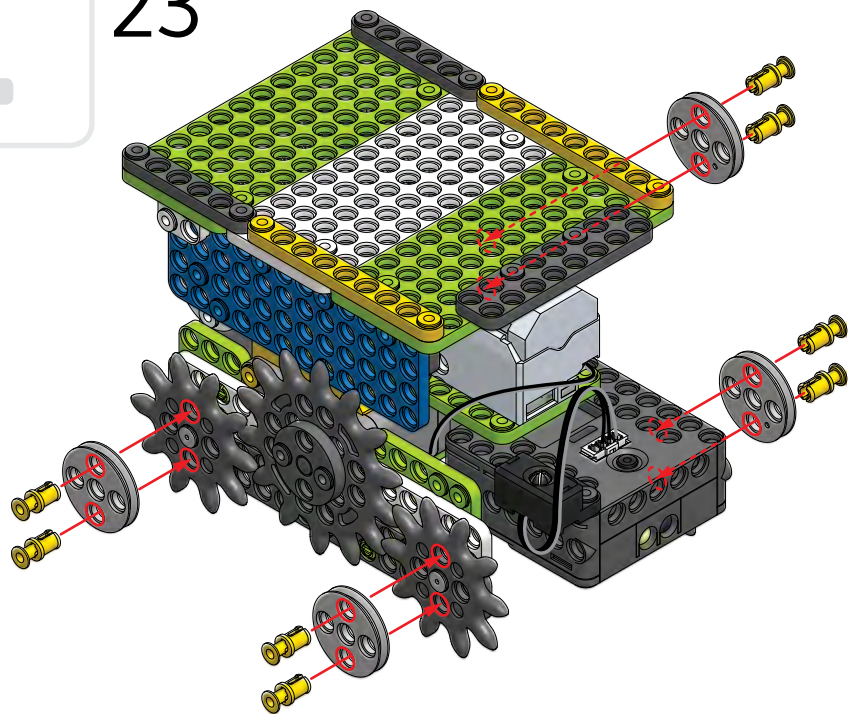
SPS-4Ⓡ x4


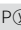




23



SRV-1H/1PⓈ x8

SPO-4PRⓈ x4



 x8
 SRV-1H/1P 

 x4
 STR-39 

 x4
 SPO-4PC 

24

