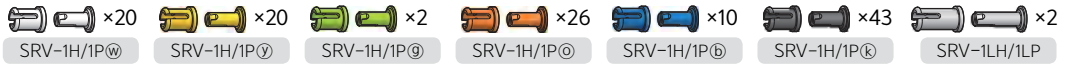


This chapter requires the following parts.

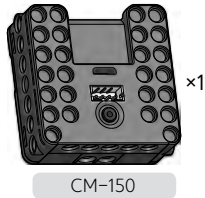
Rivet



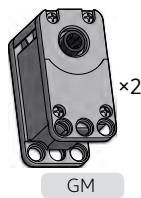
Plate



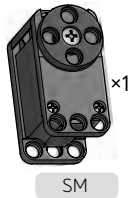
Controller



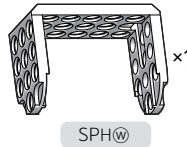
Geared motor



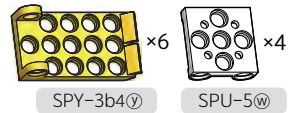
Servo motor



Hinge



Adaptor



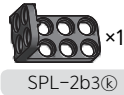
Cross horn



Pulley



Bracket



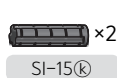
Cable



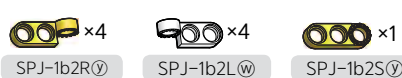
Spacer



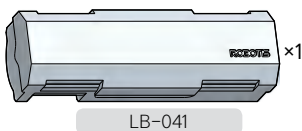
Spindle



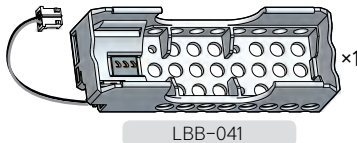
Joint



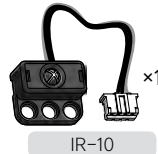
Battery



Battery box




IR Receiver




Building the airplane

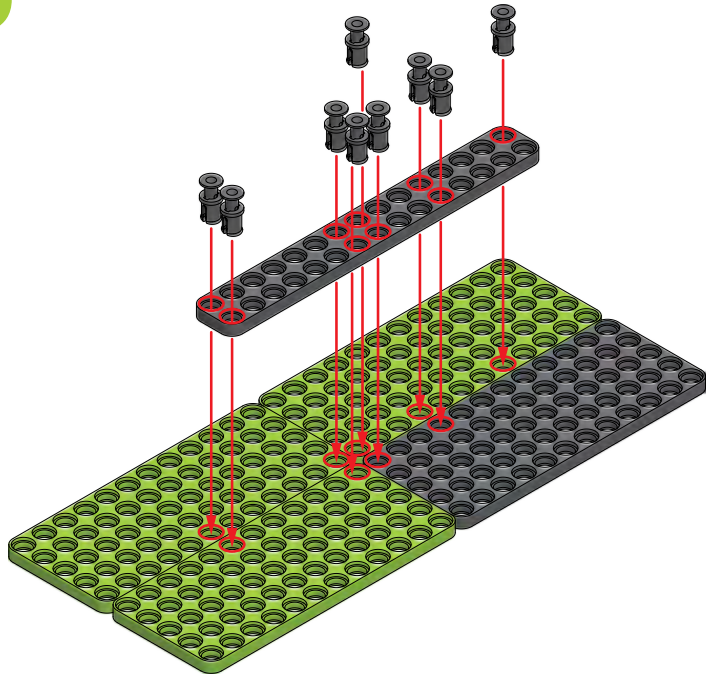
1

 x9
SRV-1H/1P

 x3
SPD-5b12

 x1
SPD-5b12

 x1
SPD-2b15




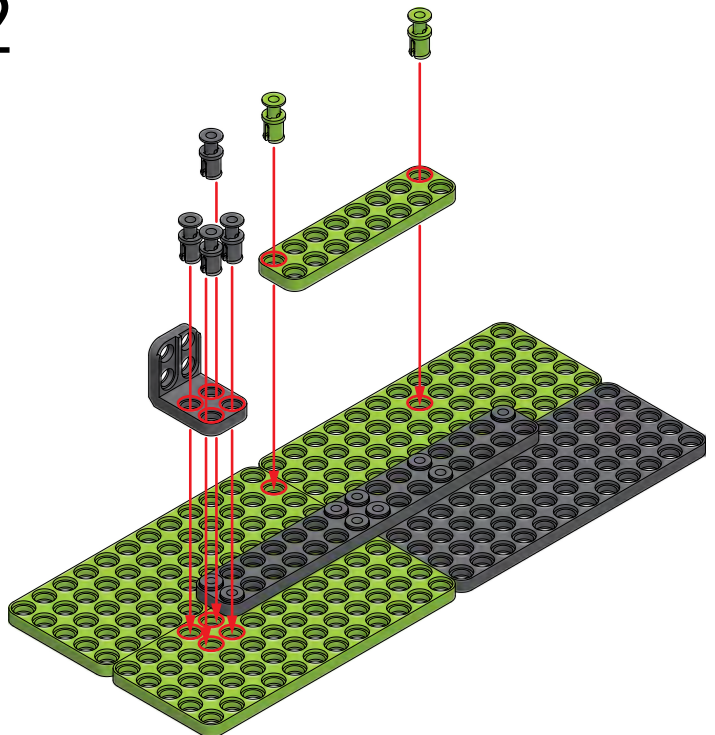
2

 x2
SRV-1H/1P

 x4
SRV-1H/1P

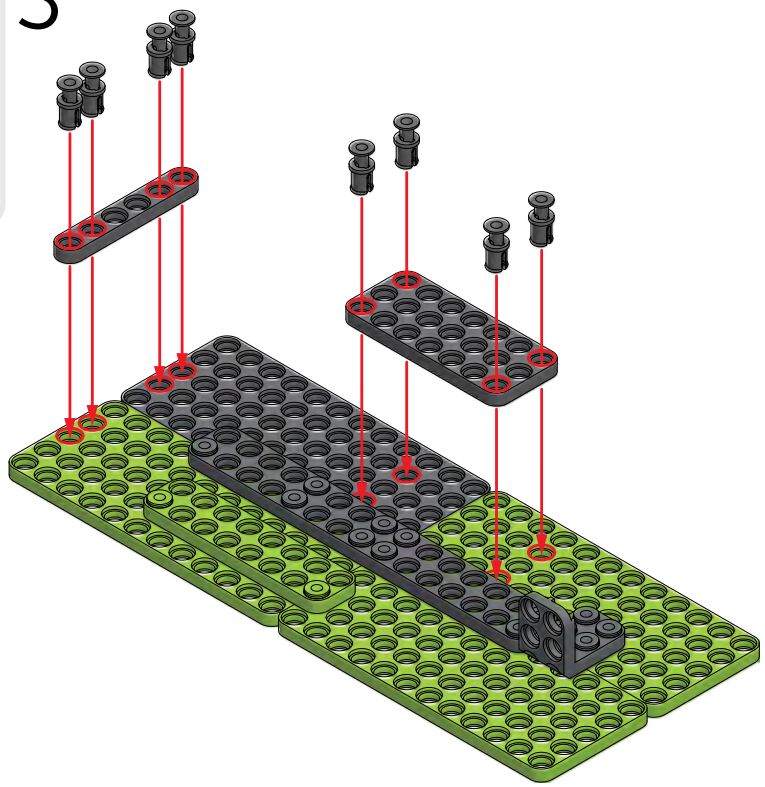
 x1
SPL-2b2(k)

 x1
SPD-2b8



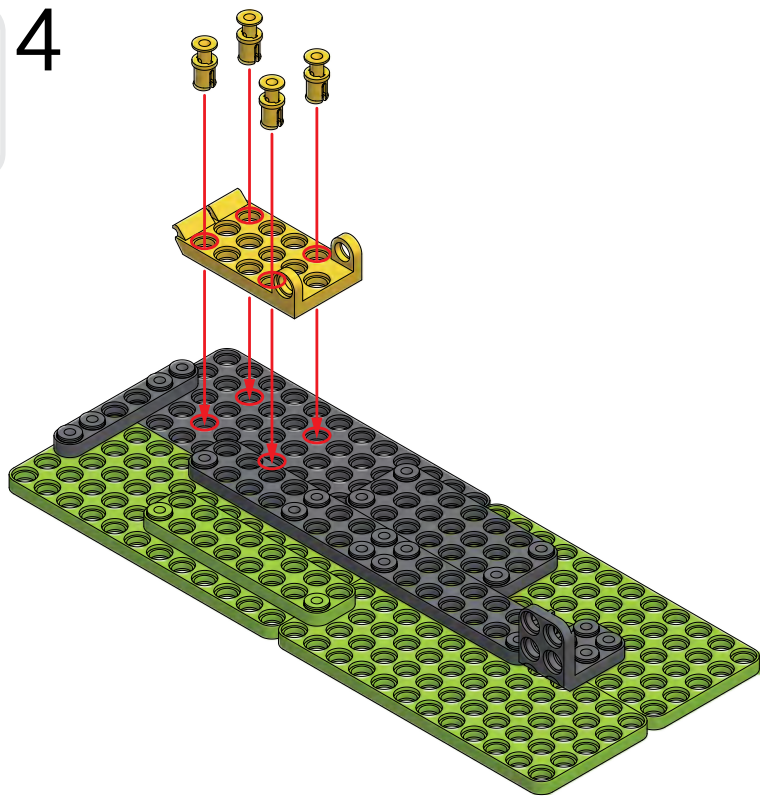
- SRV-1H/1P (x8)
- SPI-1b6 (x1)
- SPD-3b7 (x1)

3



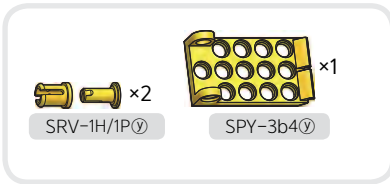
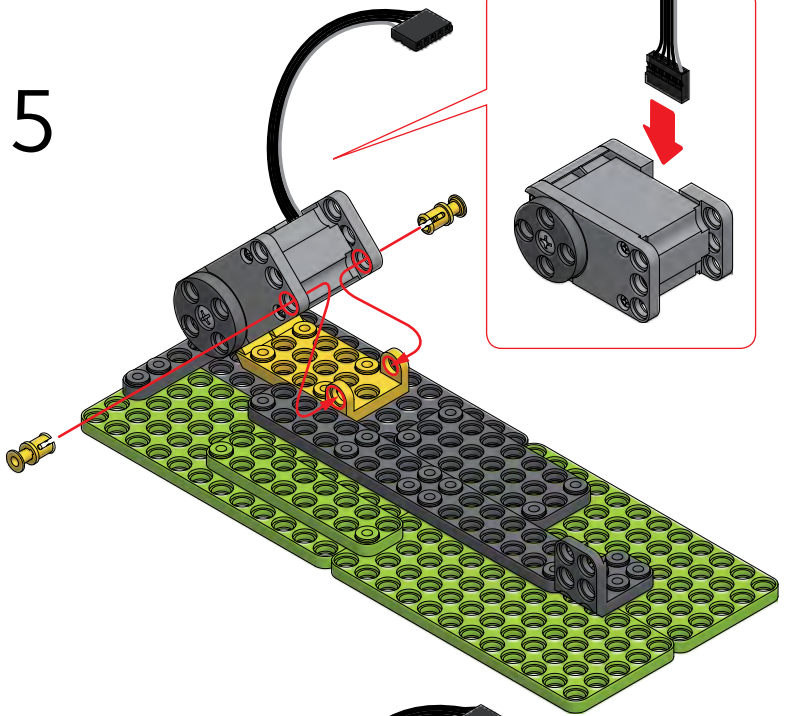
- SRV-1H/1P (x4)
- SPY-3b4 (x1)

4

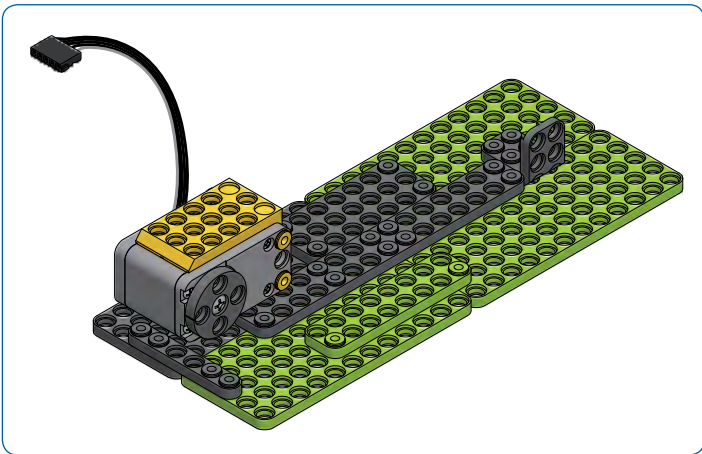
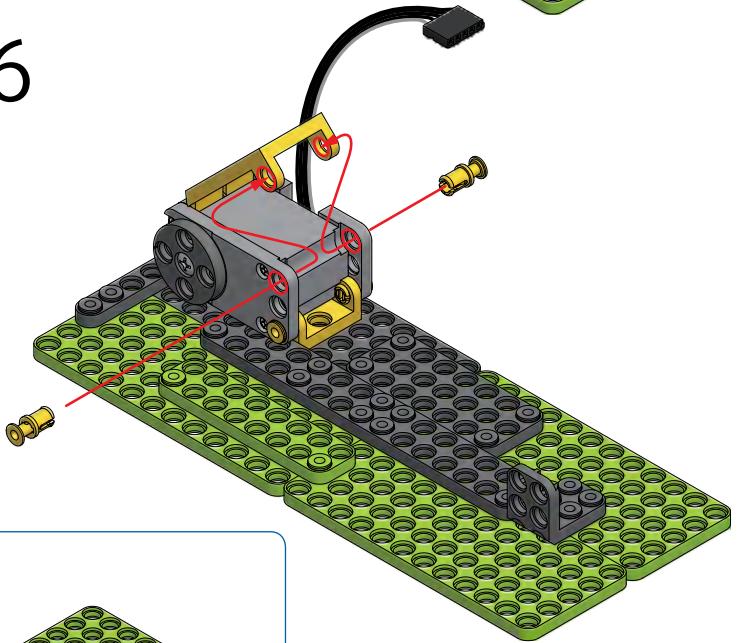









5

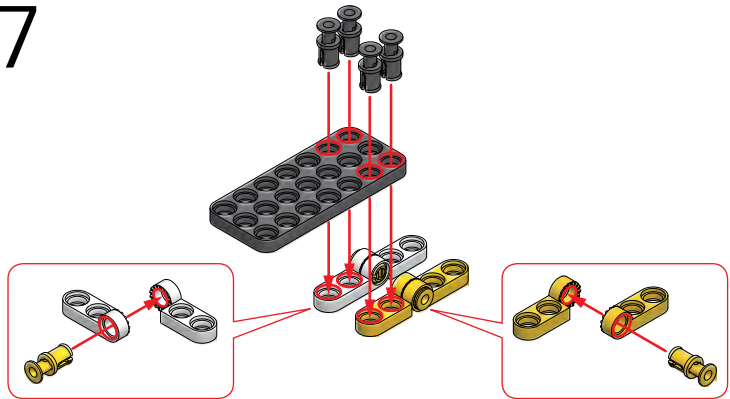




6



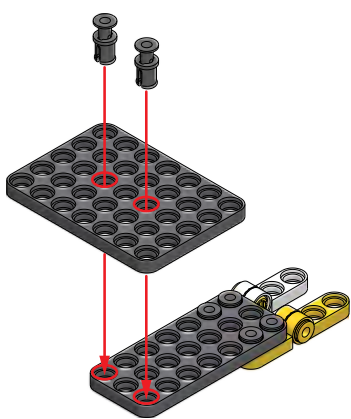
-  ×2
 SRV-1H/1P(∇)
-  ×4
 SRV-1H/1P(⊙)
-  ×2
 SPJ-1b2R(∇)
-  ×2
 SPJ-1b2L(⊙)
-  ×1
 SPD-3b7(k)



7



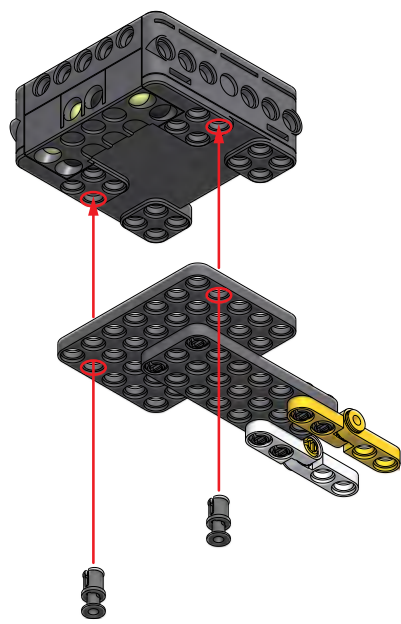
-  ×2
 SRV-1H/1P(⊙)
-  ×1
 SPD-5b7(k)

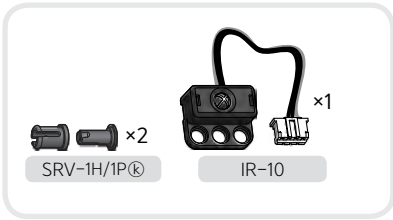
8



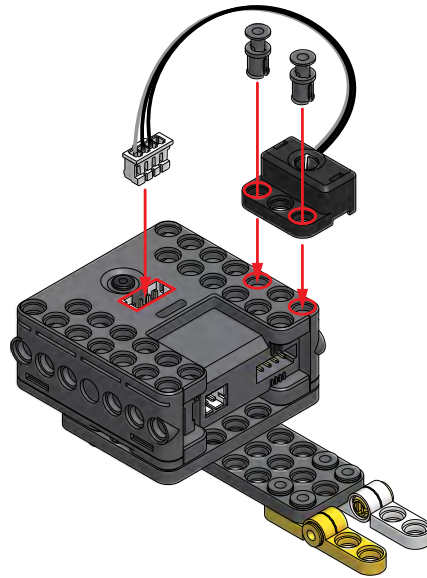
-  ×2
 SRV-1H/1P(⊙)
-  ×1
 CM-150

9



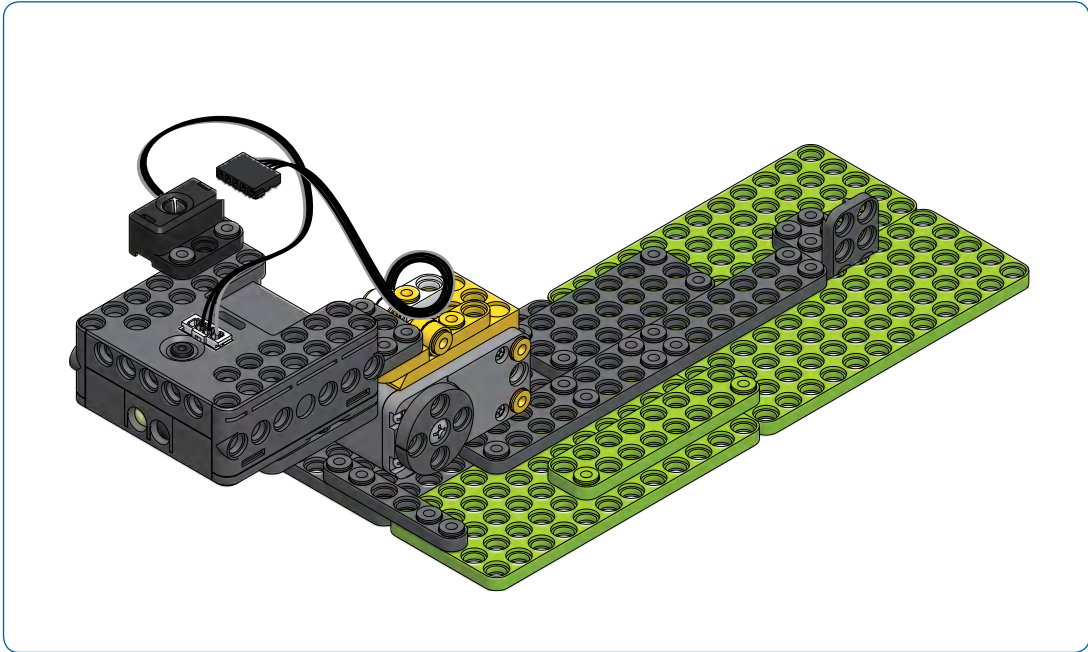
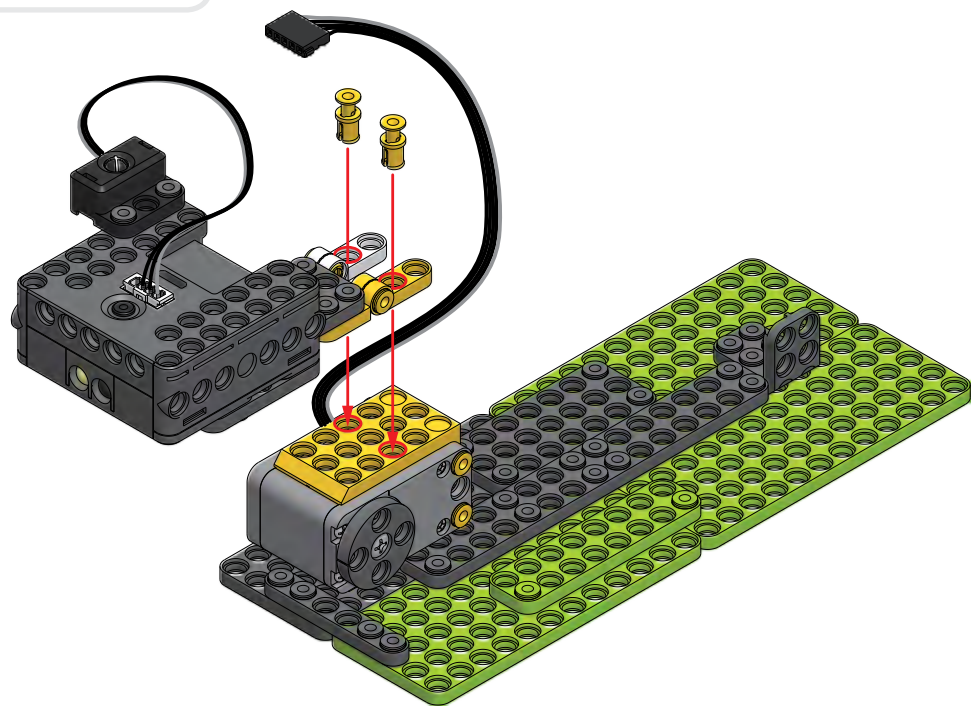


10



11

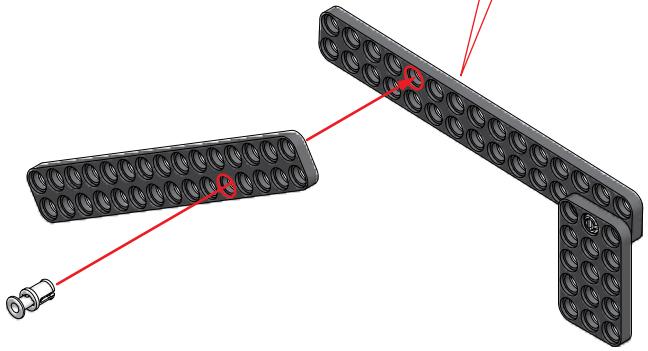
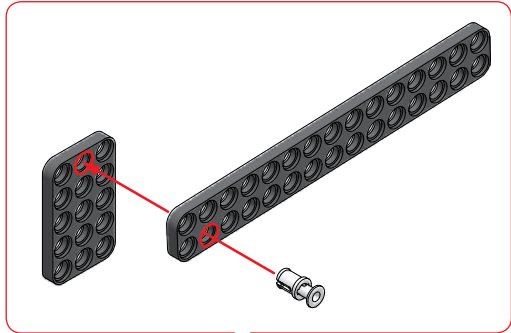
 ×2
SRV-1H/1P 



12

SRV-1H/1PⓂ ×2
SPD-3b5Ⓚ ×1

SPD-2b15Ⓚ ×2

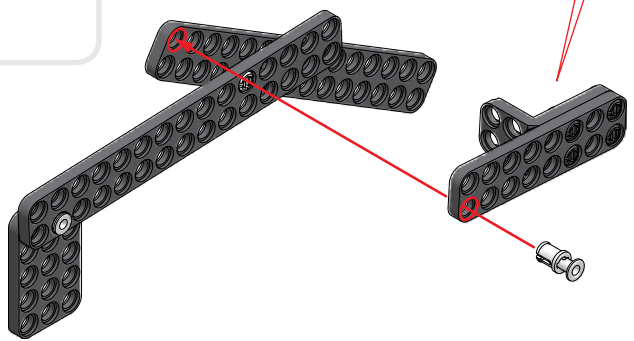
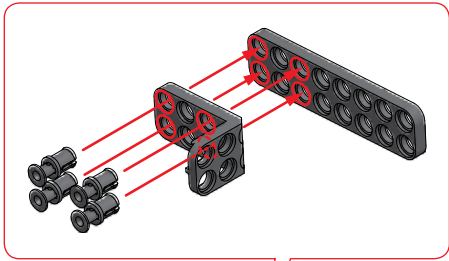


13

SRV-1H/1PⓂ ×1
SRV-1H/1PⓀ ×4

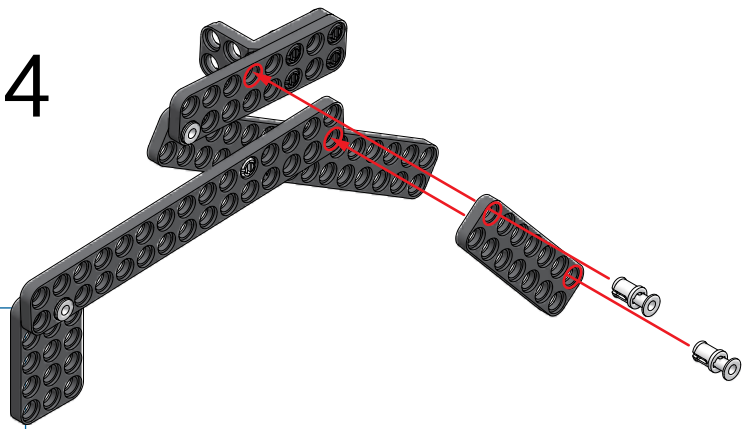
SPL-2b3Ⓚ ×1

SPD-2b8Ⓚ ×1



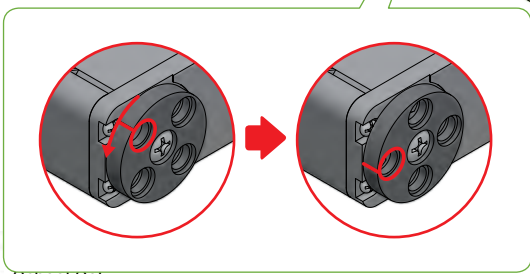
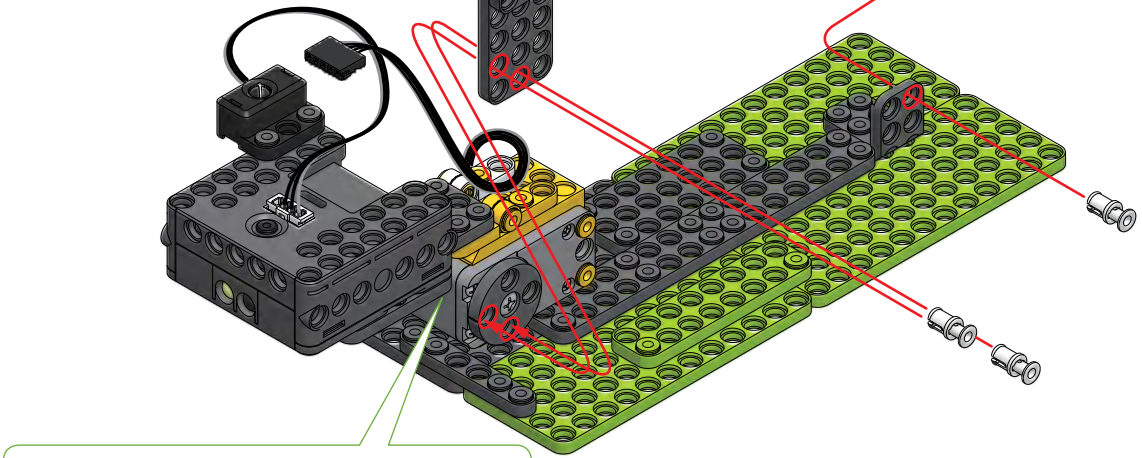
- SRV-1H/1P (x2)
- SPD-2b7 (x1)

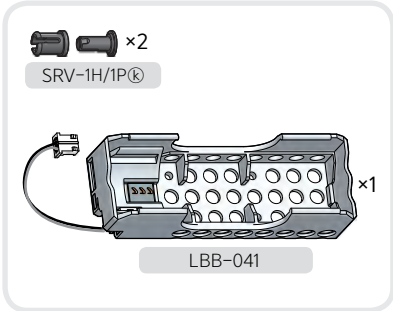
14



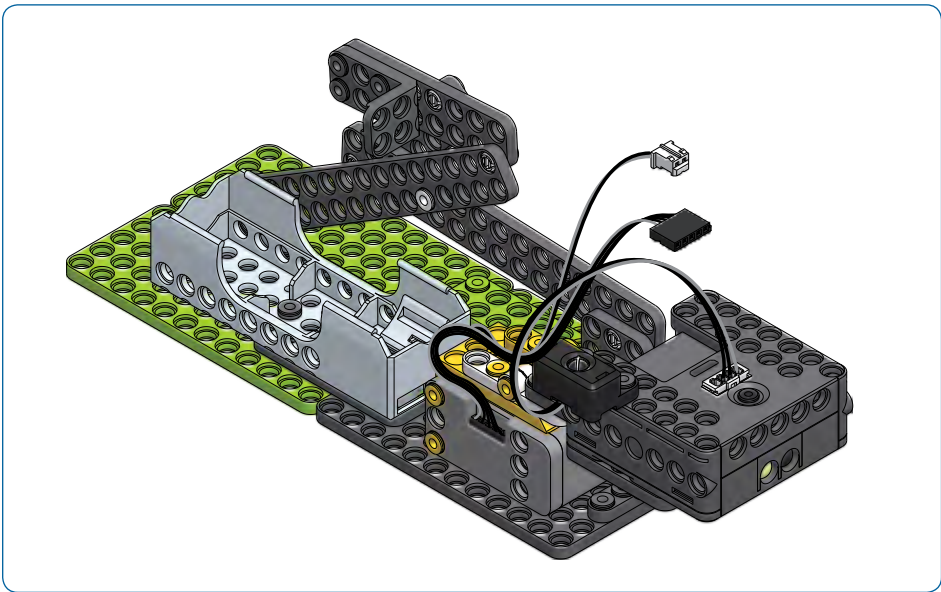
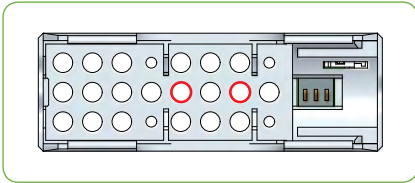
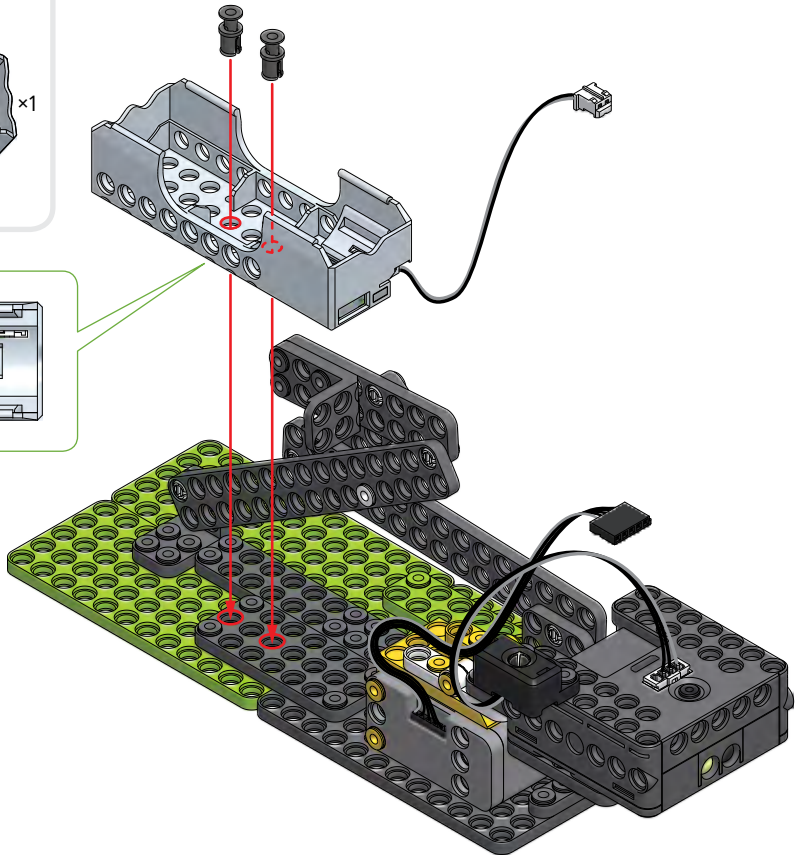
- SRV-1H/1P (x3)

15



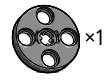
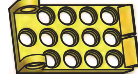



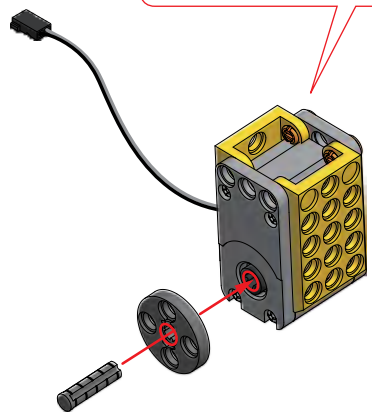
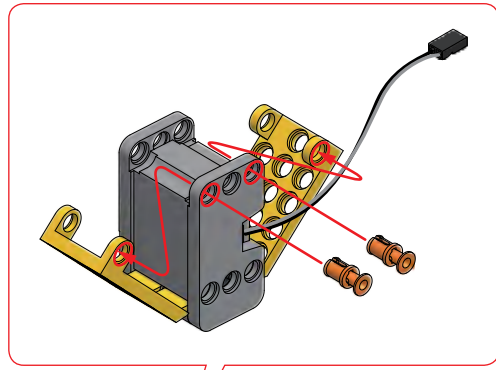


16





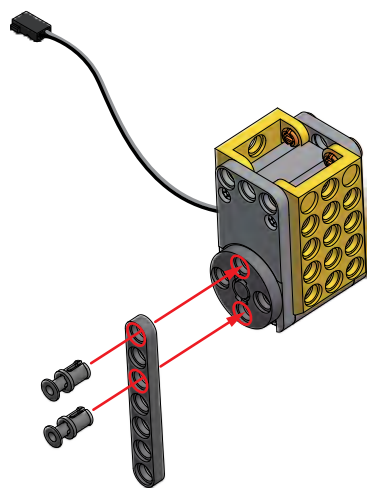
17

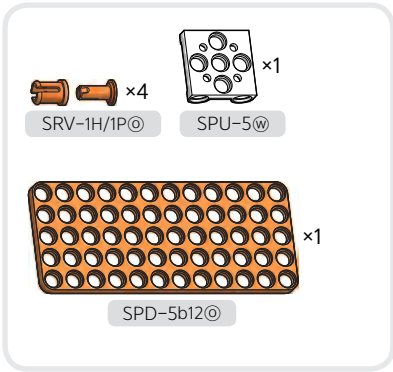
-  ×2
-  ×1
-  ×1
-  ×2
-  ×1



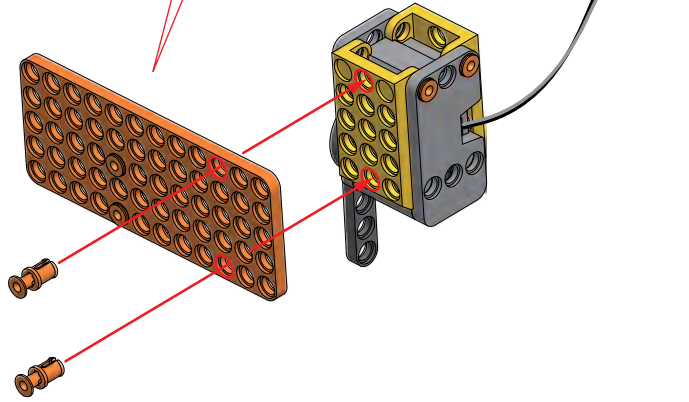
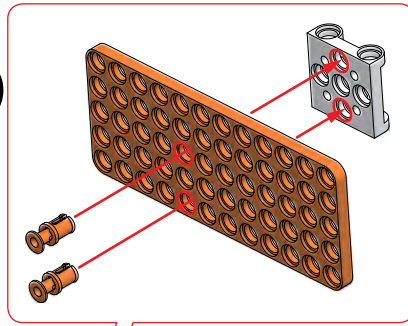
18

-  ×2
-  ×1

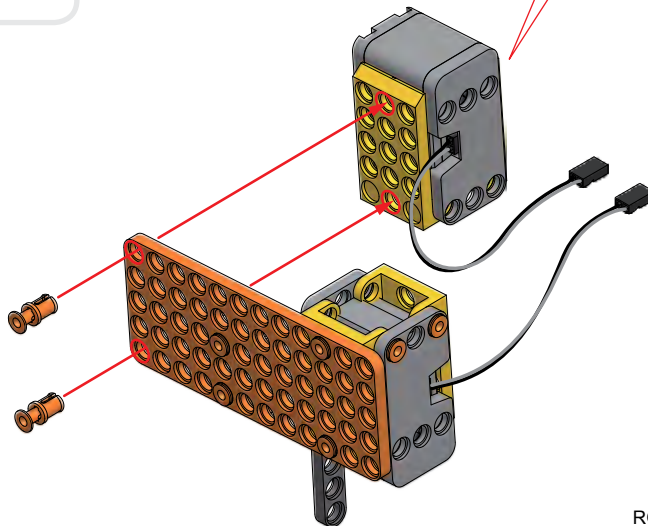
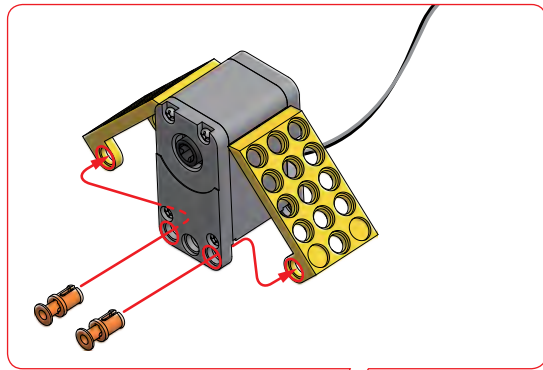





19




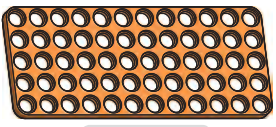
20

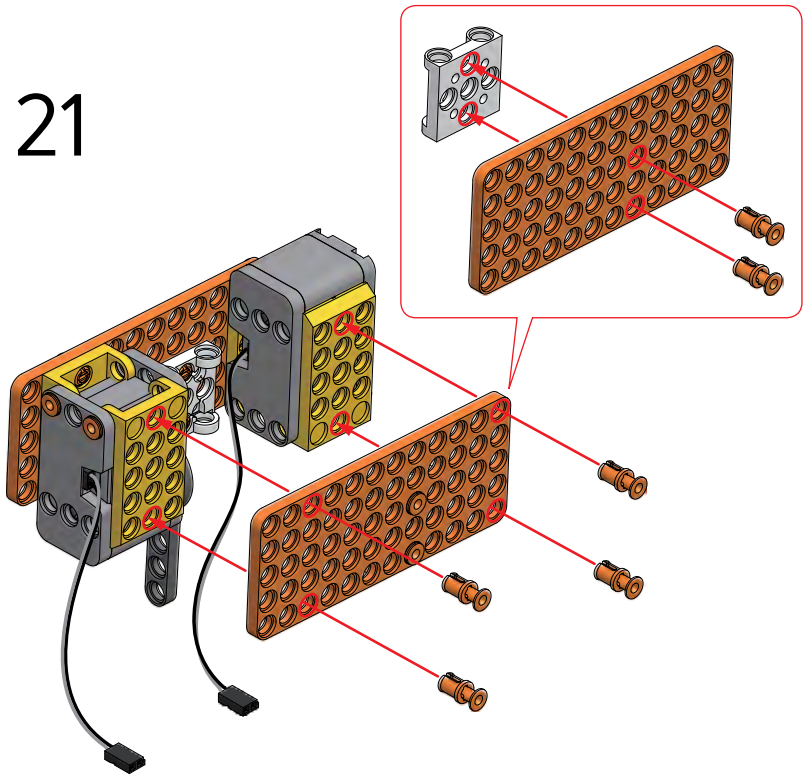


21


 x6
 SRV-1H/1PⓄ


 x1
 SPU-5Ⓞ


 x1
 SPD-5b12Ⓞ




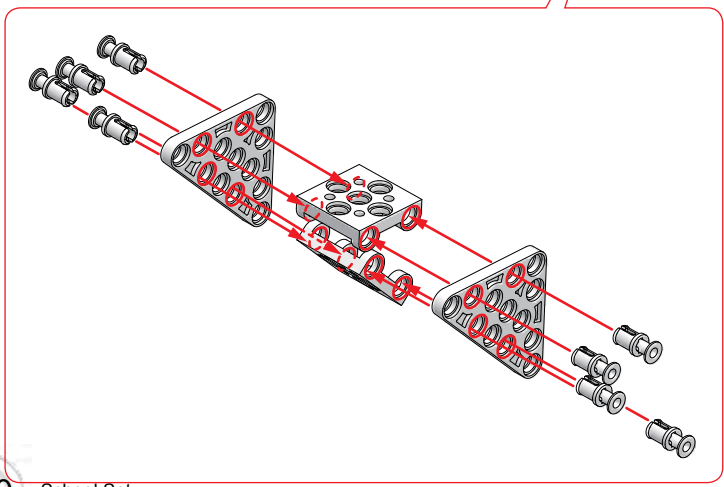
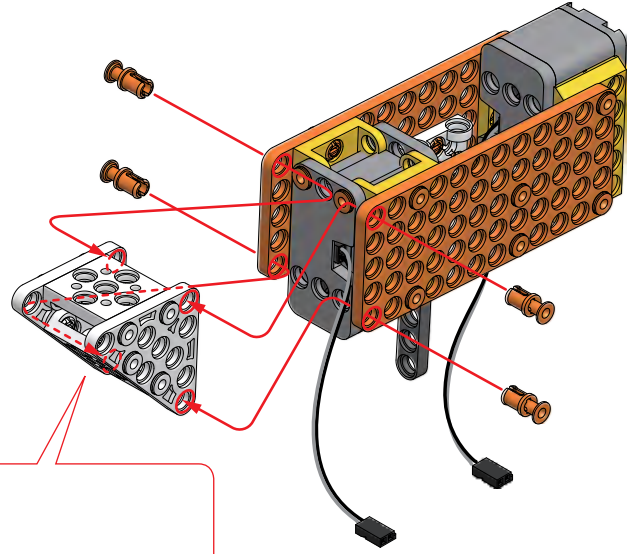
22

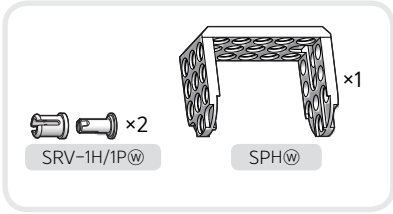
 x8
 SRV-1H/1PⓄ

 x4
 SRV-1H/1PⓄ

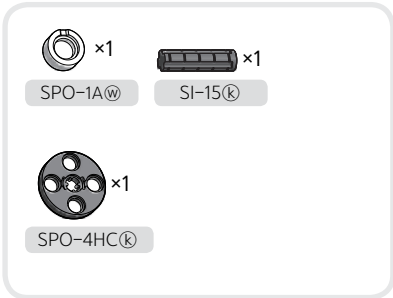
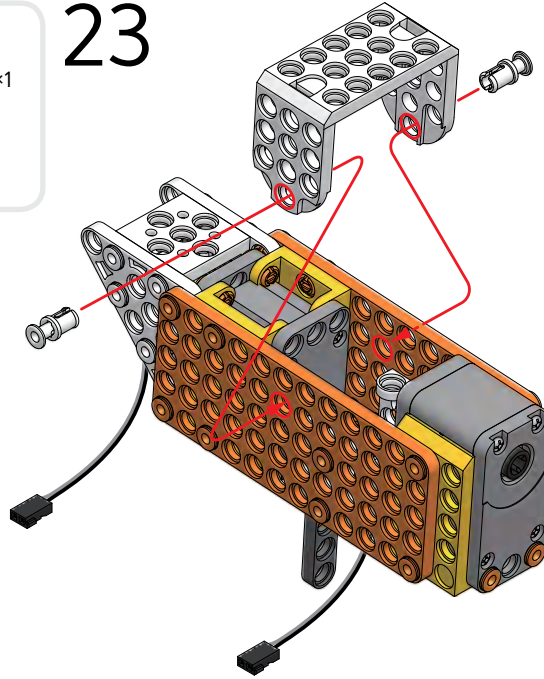
 x2
 SPA-5b5Ⓞ

 x2
 SPU-5Ⓞ

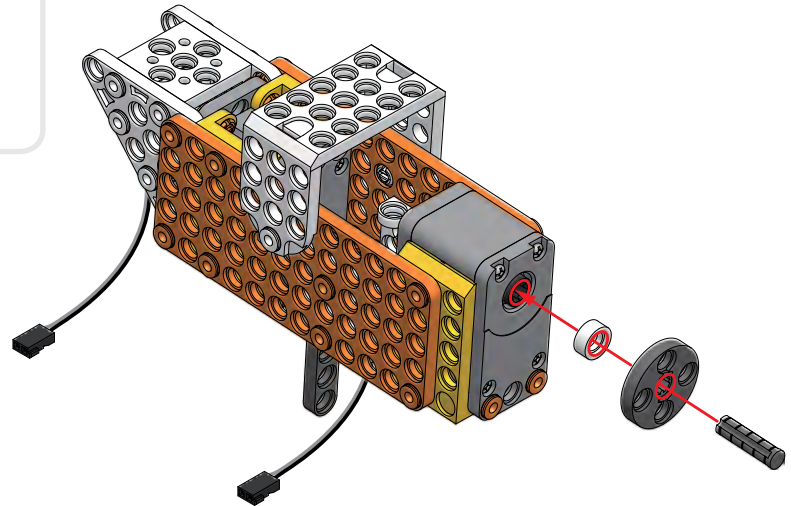






23

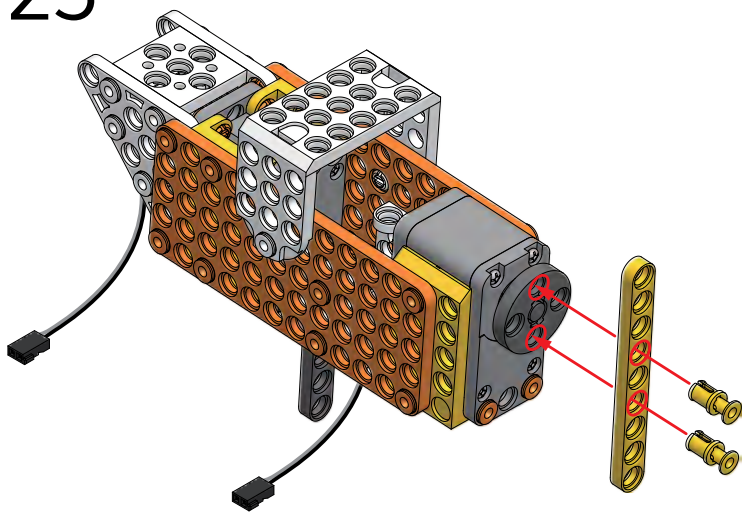



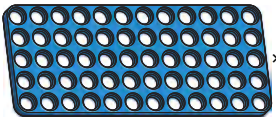
24



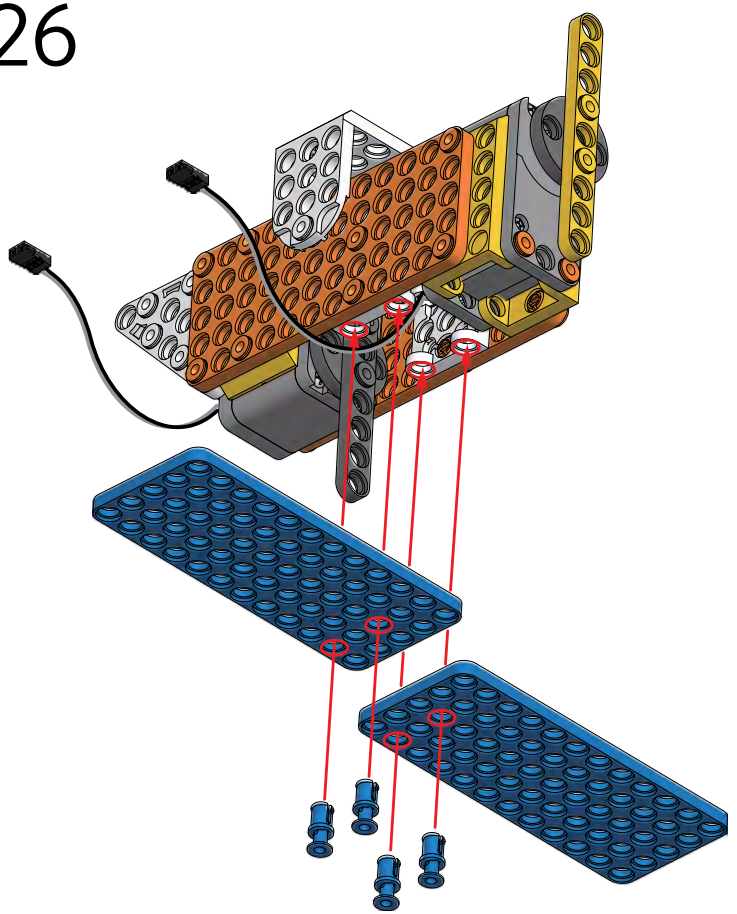
-  x2
 SRV-1H/1P
-  x1
 SPI-1b9


25




-  x4
 SRV-1H/1P
-  x2
 SPD-5b12

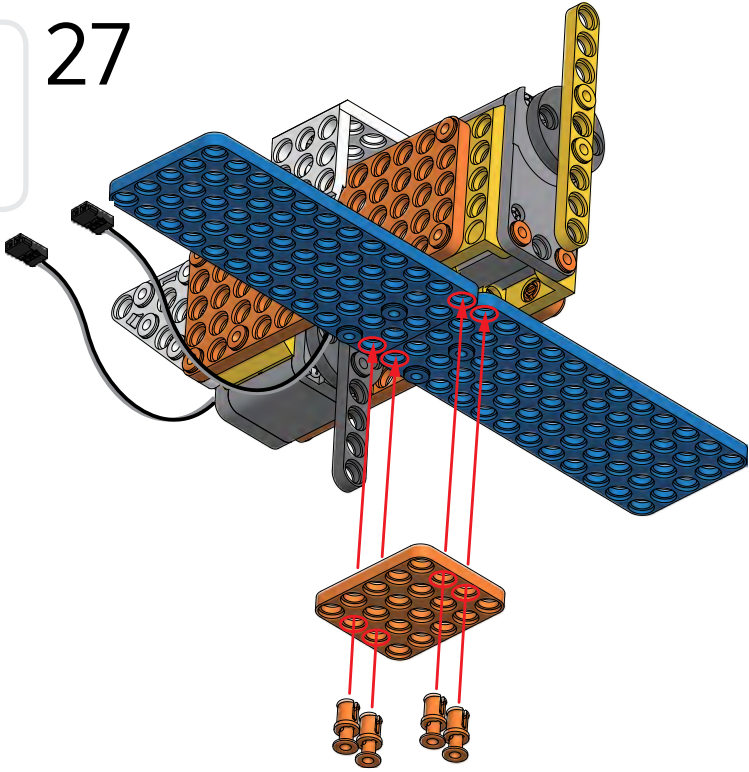
26





 x4
 SRV-1H/1PⓄ


 x1
 SPD-4b5Ⓞ

27

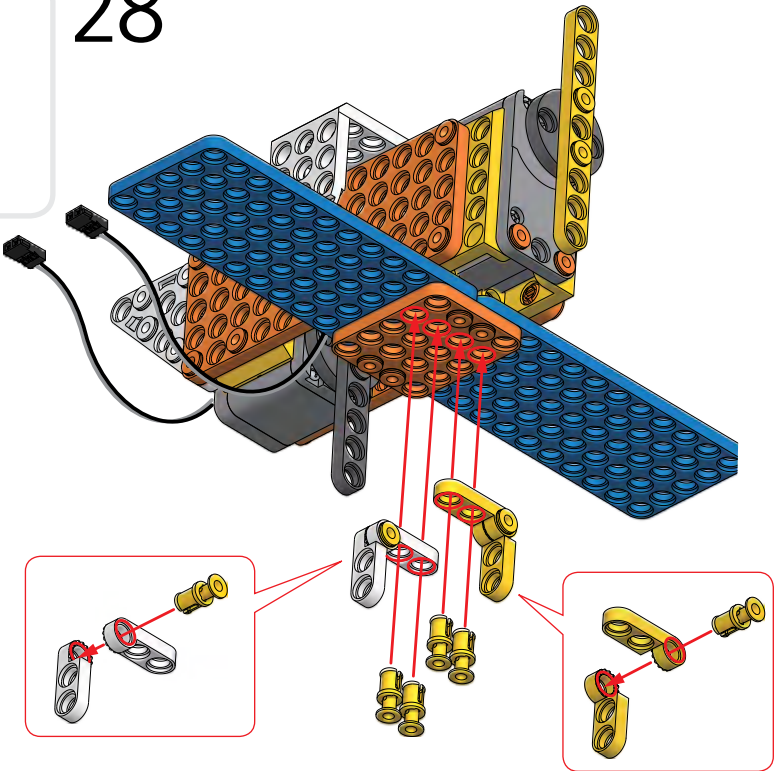


 x6
 SRV-1H/1PⓄ

 x2
 SPJ-1b2RⓄ

 x2
 SPJ-1b2LⓄ

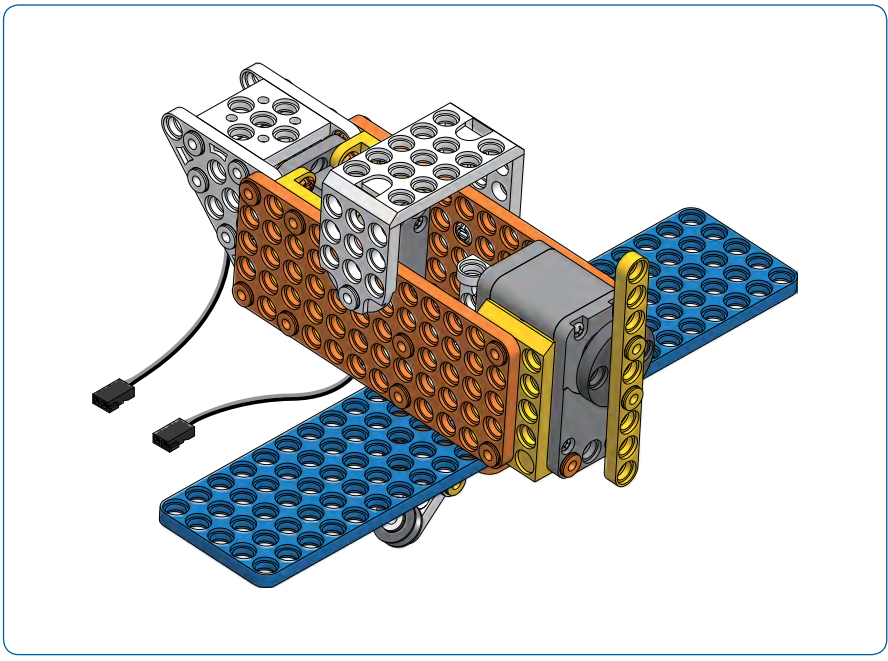
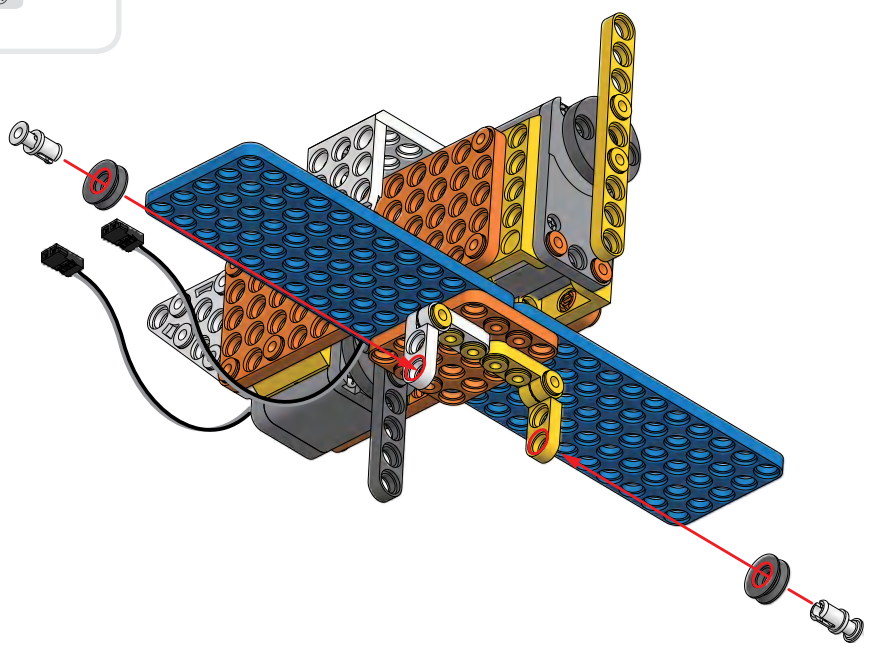
28




29

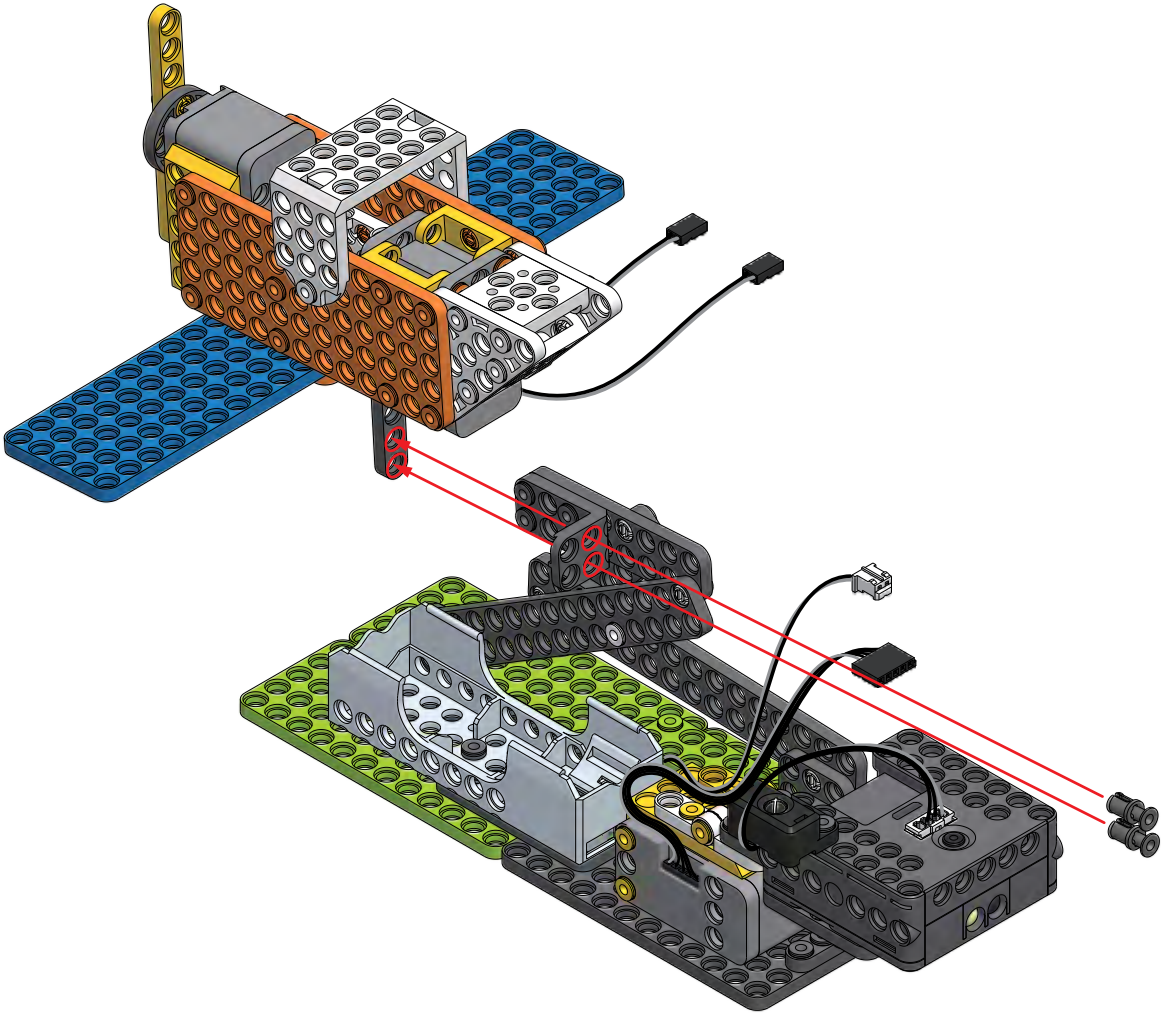
 x2
SRV-1H/1P

 x2
SPO-1PR

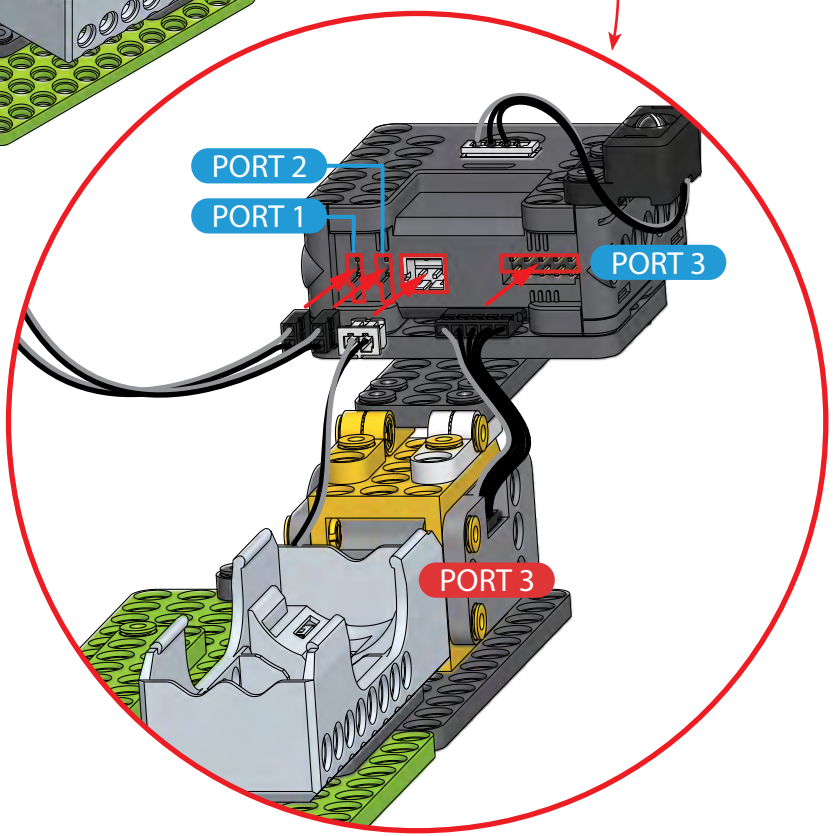
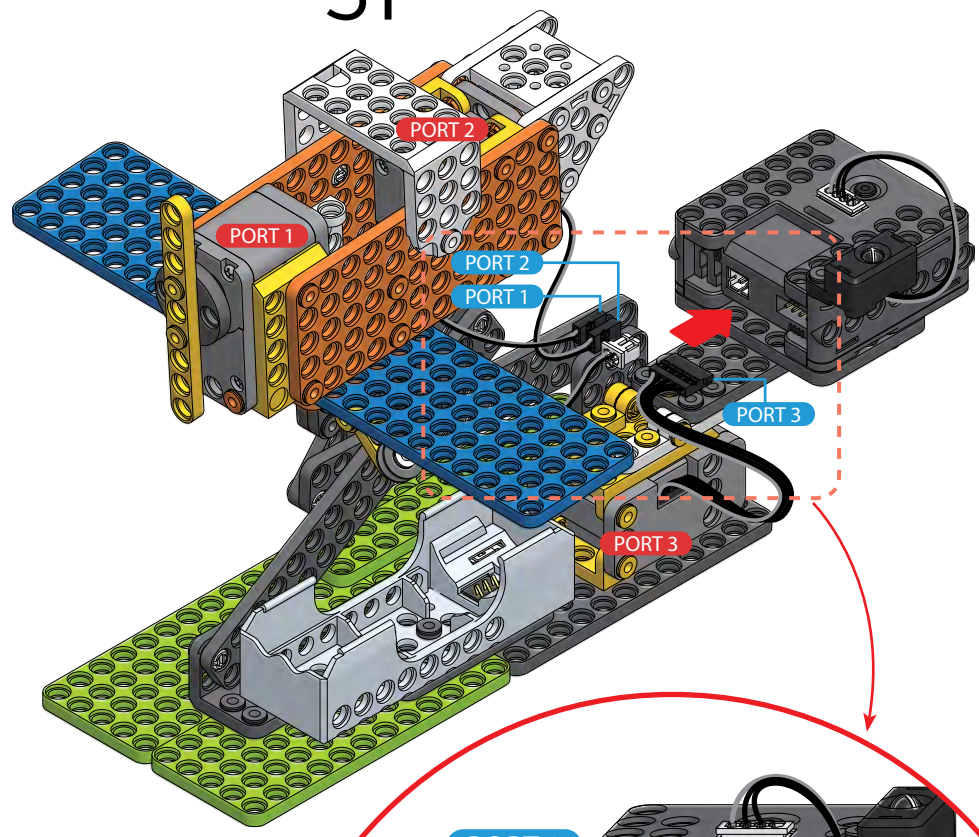


 x2
SRV-1H/1P

30



31



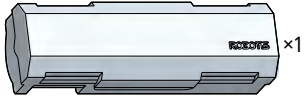
32



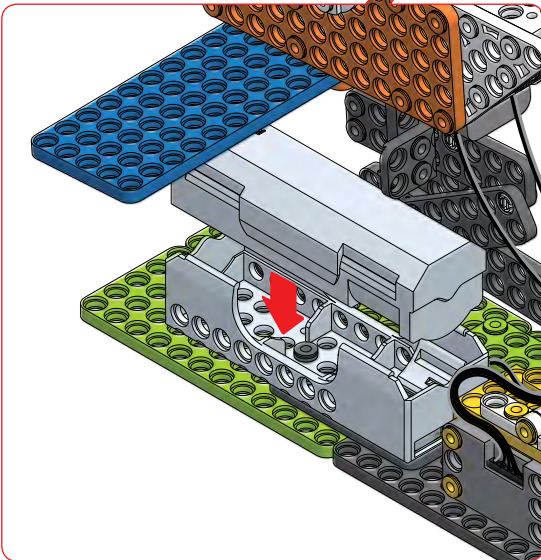
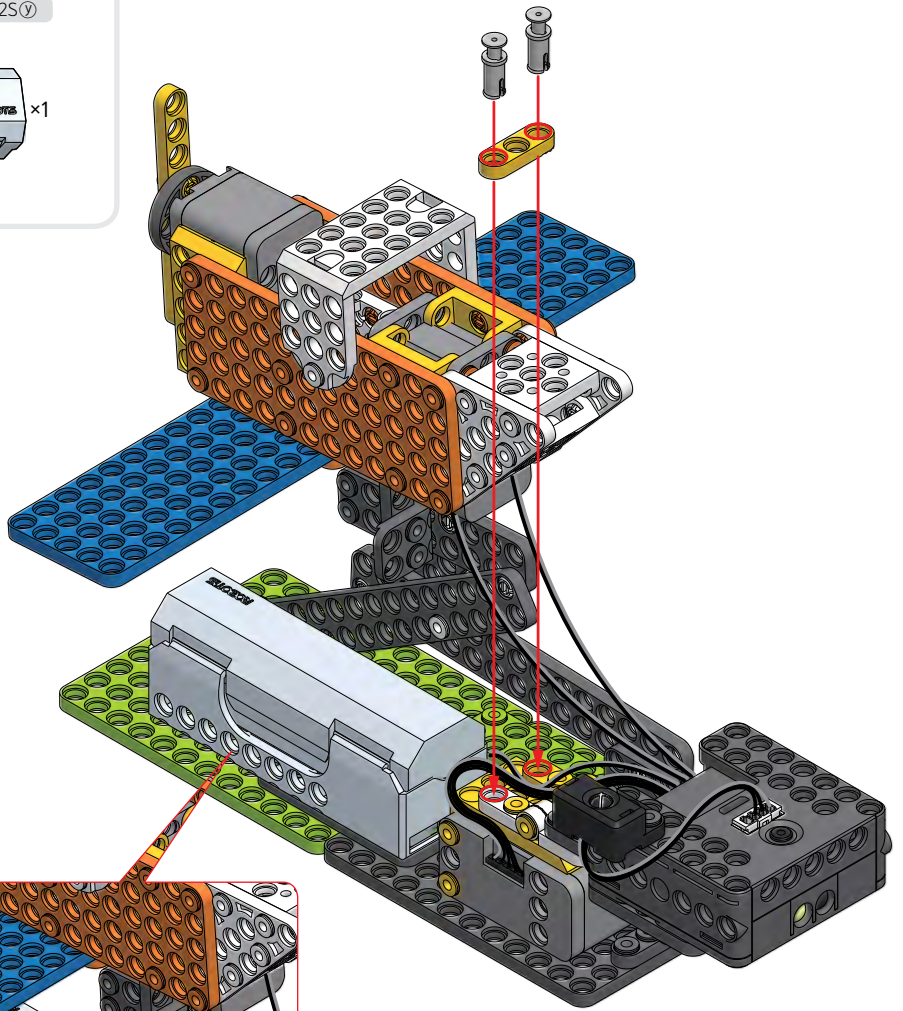
SRV-1LH/1LP

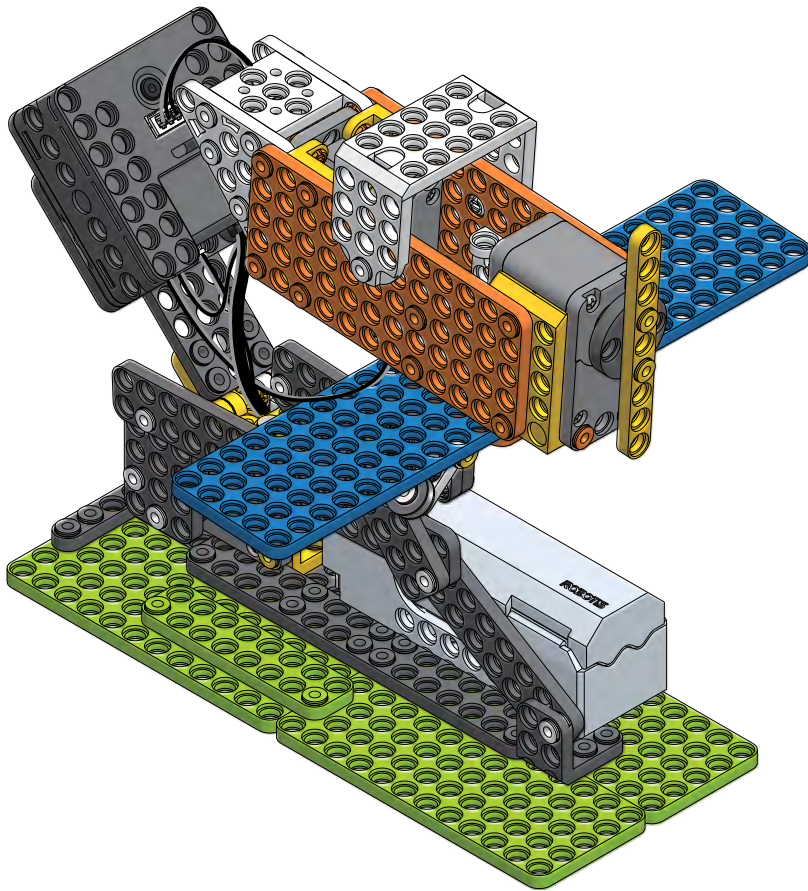
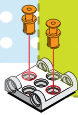


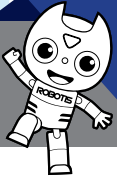
SPJ-1b2S



LB-041





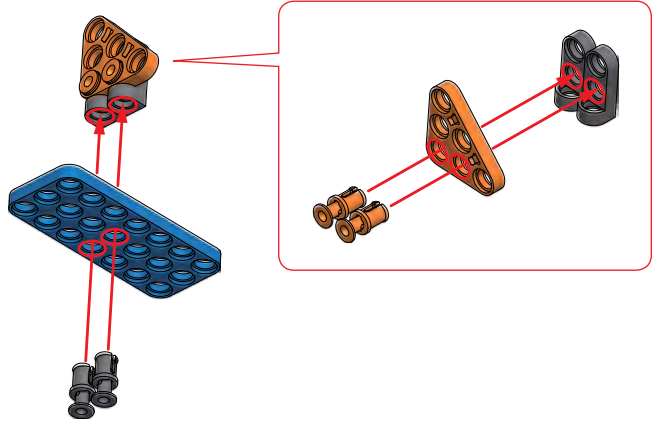


My Own Robot!

Customize the appearance to make your own unique robot.

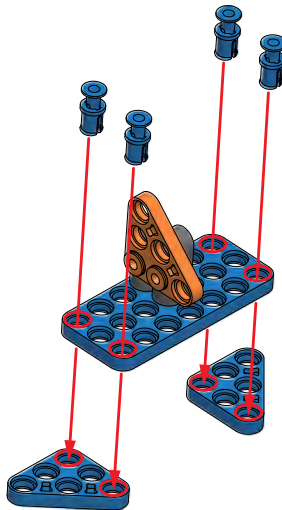
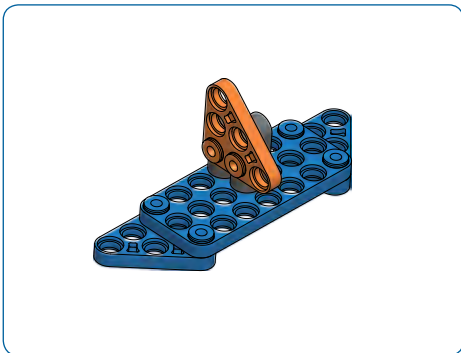
1

- SRV-1H/1Pⓐ ×2
- SRV-1H/1Pⓑ ×2
- SPL-1b2ⓐ ×2
- SPD-3b7ⓑ ×1
- SPA-3b3ⓐ ×1



2

- SRV-1H/1Pⓑ ×4
- SPA-3b3ⓑ ×2





 ×2
SRV-1H/IP®

3

