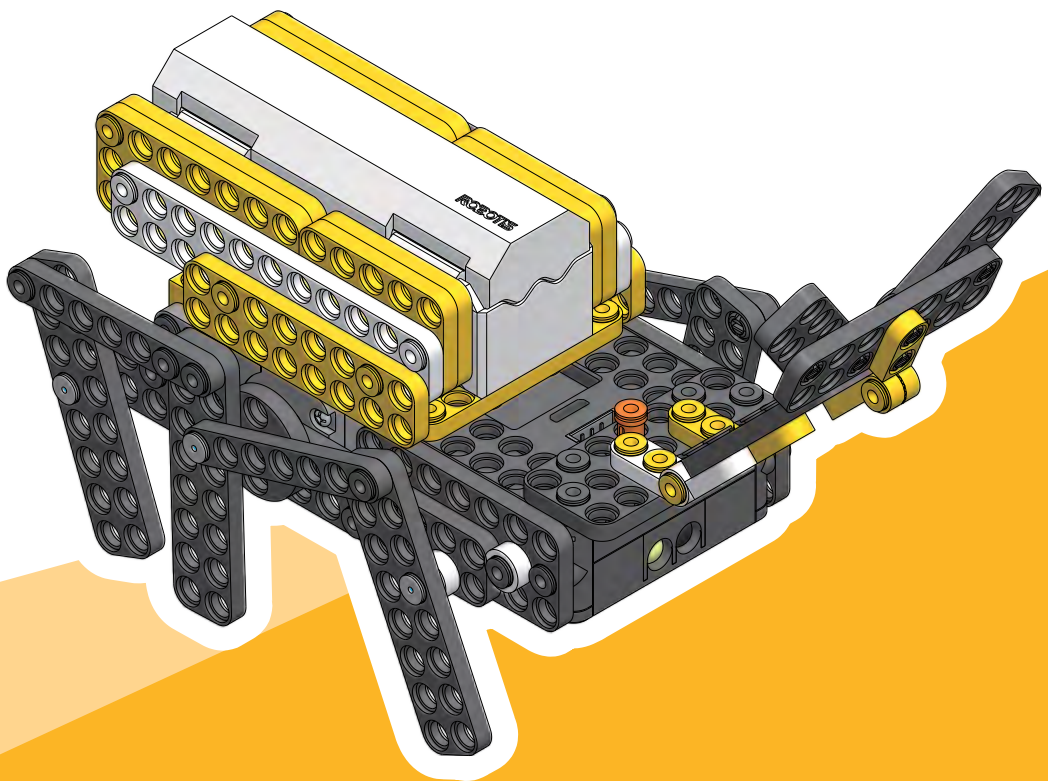


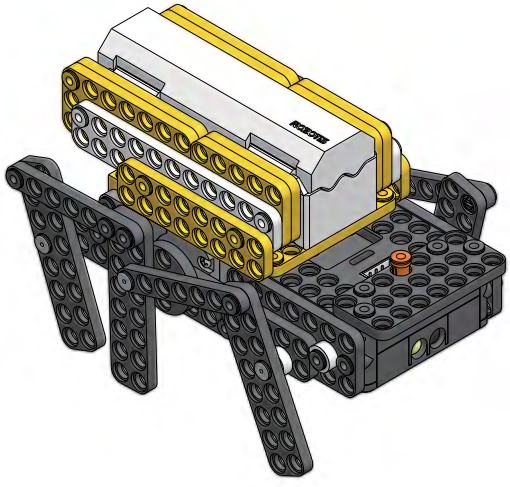


# Beetle

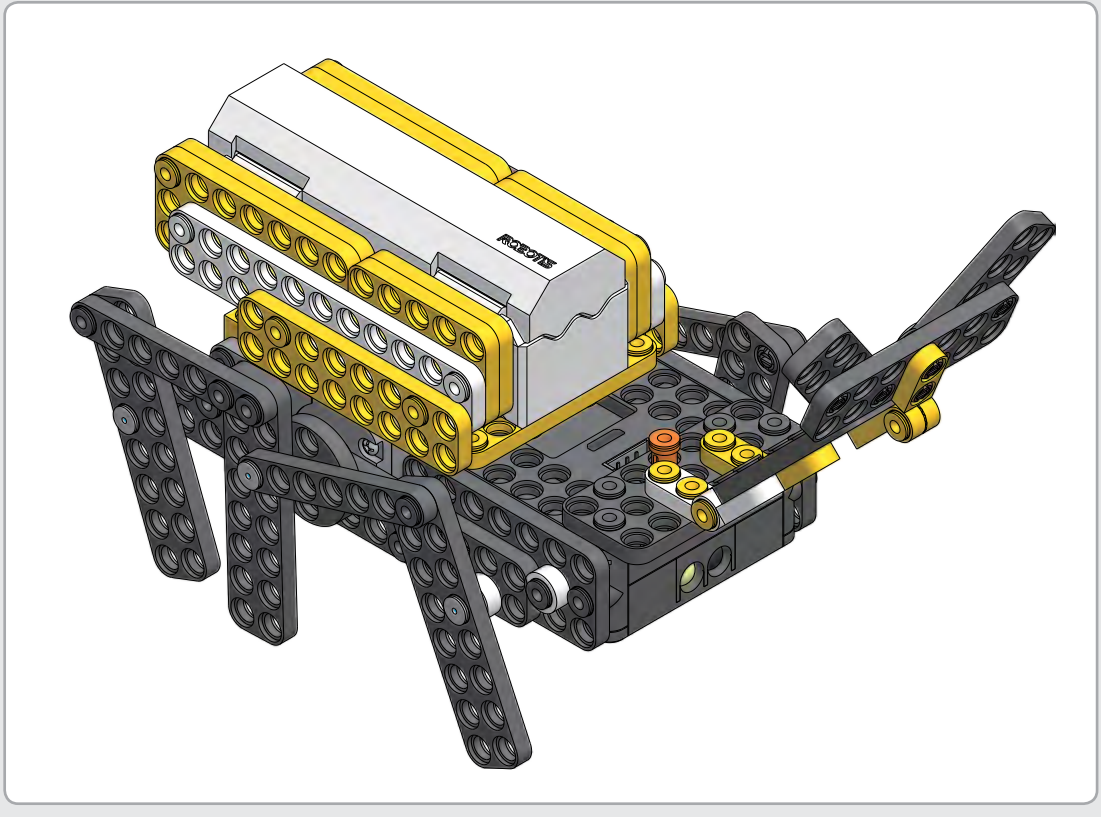


# Let's build!

Let's build a robot.



Below is the final image of the robot when you are done with assembling the "My Own Robot" step.

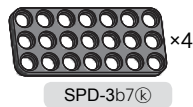
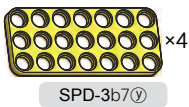
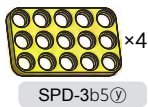
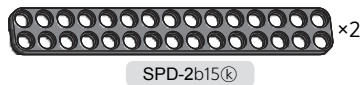
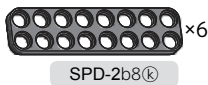
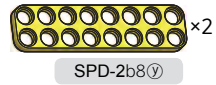
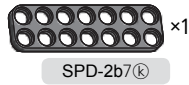
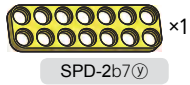
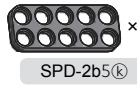
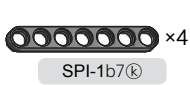


## You will require the following parts.

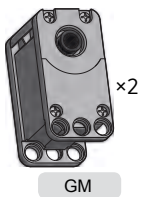
### Rivet



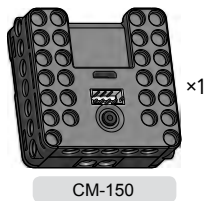
### Plate



### Geared motor



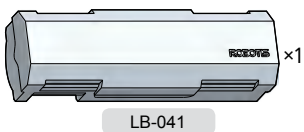
### Controller



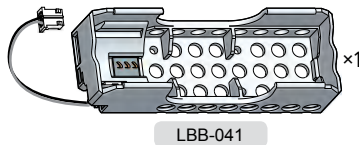
### Adaptor



### Battery



### Battery box



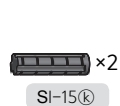
### Cross horn



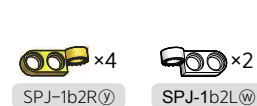
### Spacer



### Spindle




### Joint

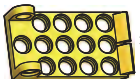


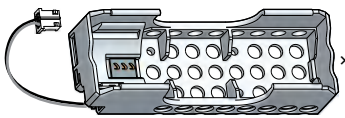
• Parts and color of the products might be different from the images of the assembly manual.

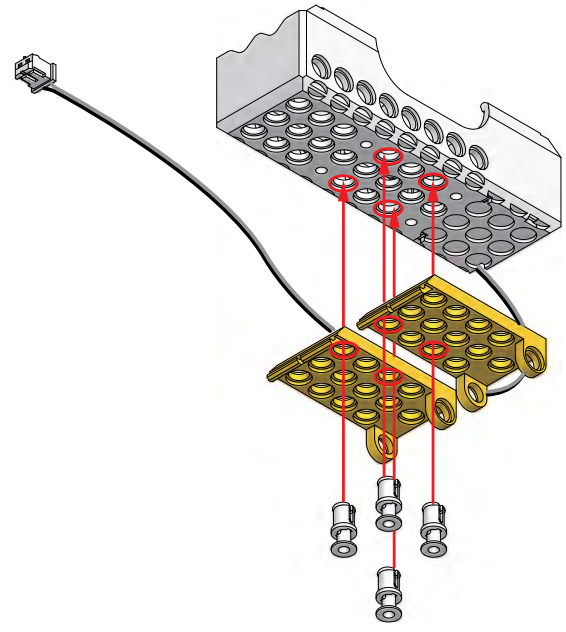
## Building the Beetle Robot

**1**


 x4  
 SRV-1H/1PⓂ


 x2  
 SPY-3b4Ⓜ

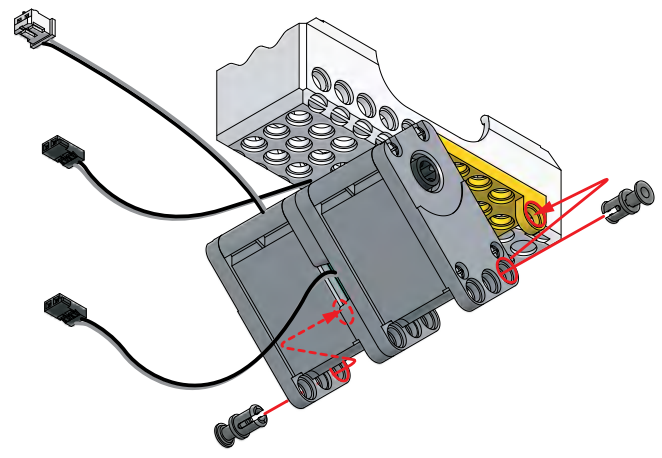
 x1  
 LBB-041




**2**


 x2  
 SRV-1H/1PⓀ

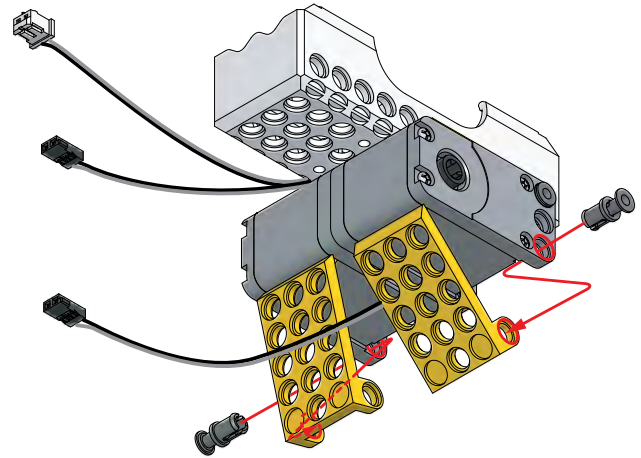
 x2  
 GM

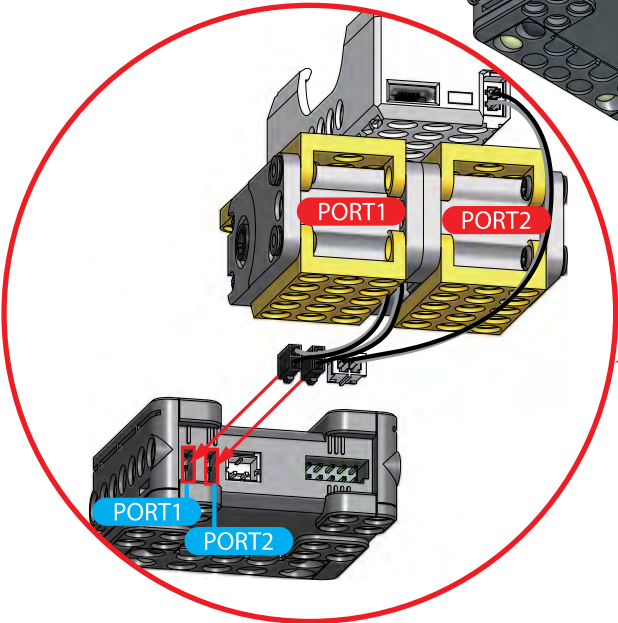
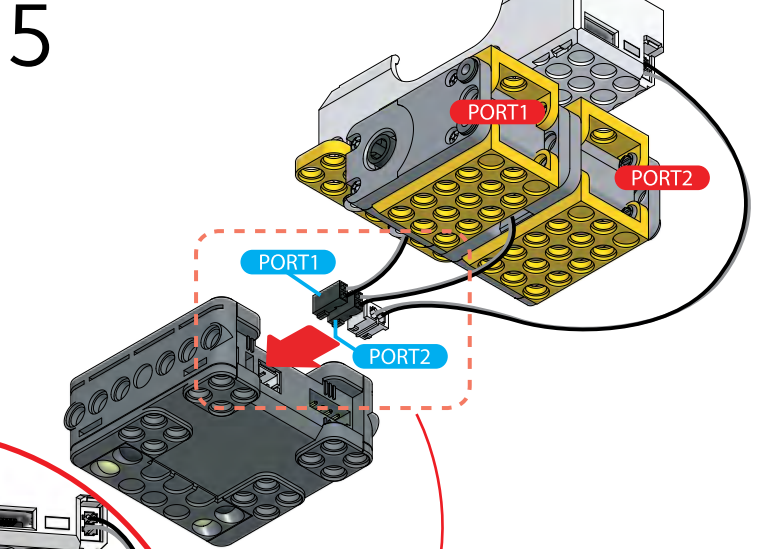
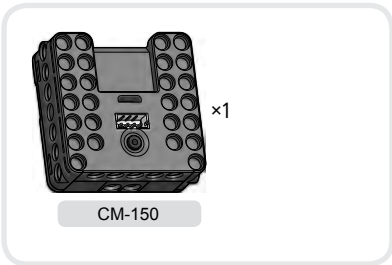
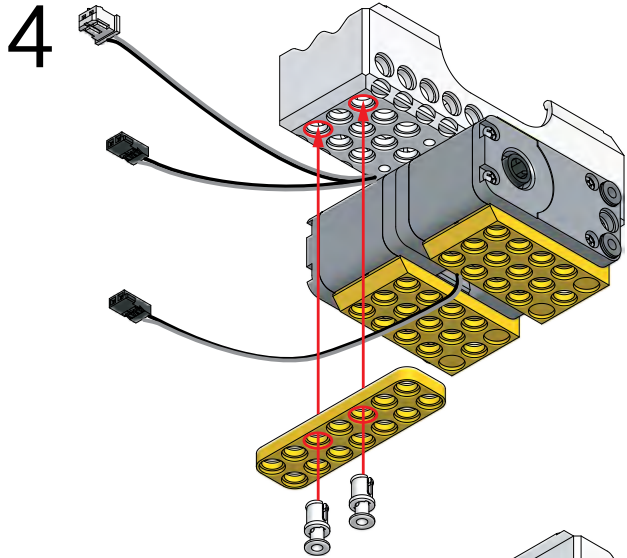
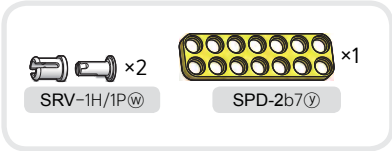



**3**

 x2  
 SRV-1H/1PⓀ

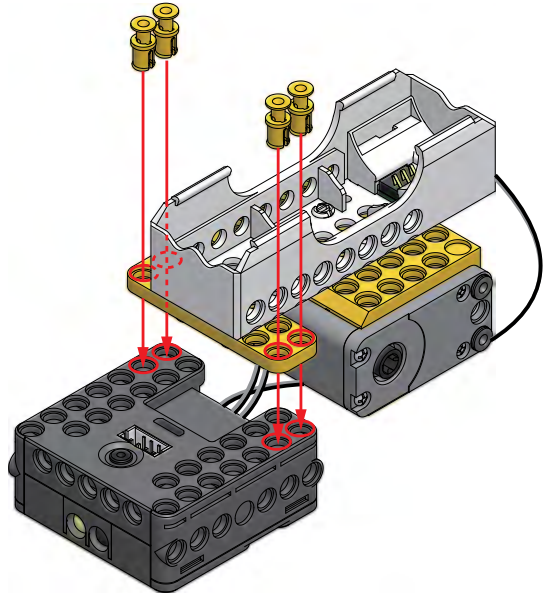
 x2  
 SPY-3b4Ⓜ






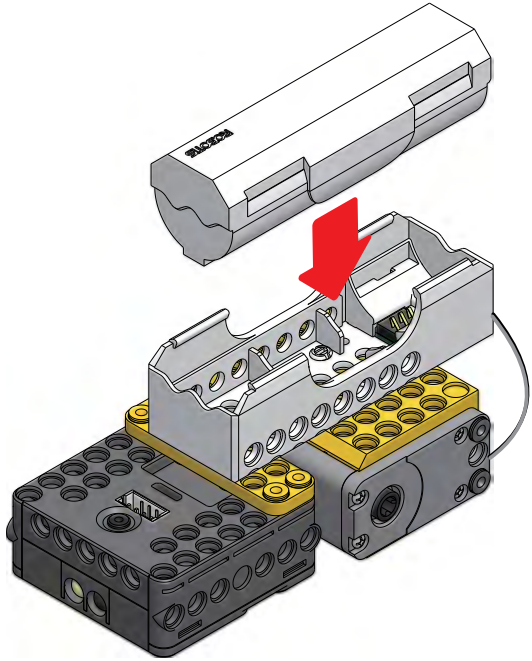
 x4  
SRV-1H/1P

6



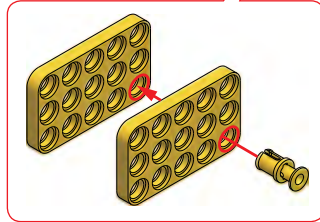
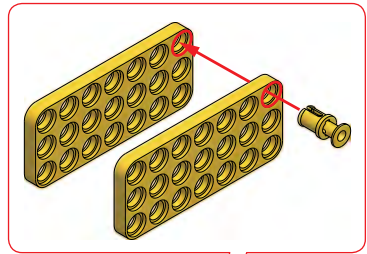
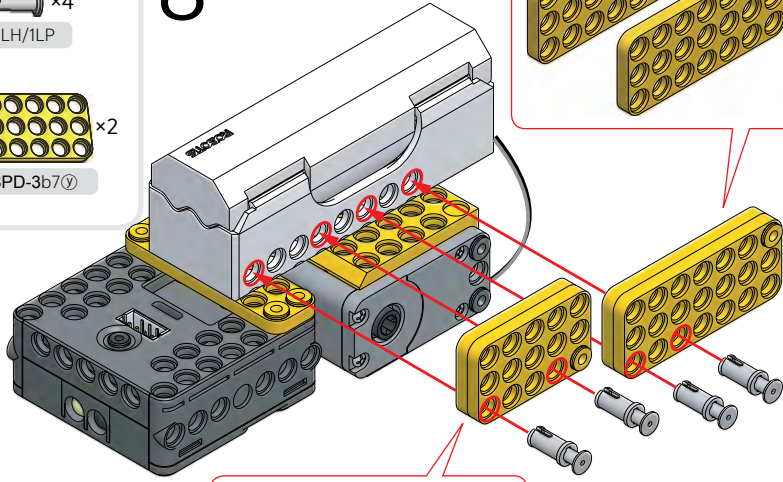
 x1  
LB-041

7



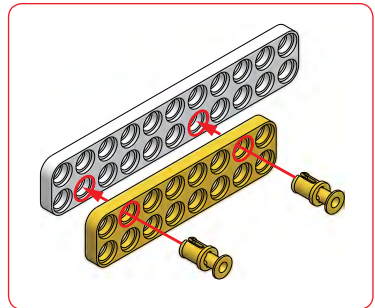
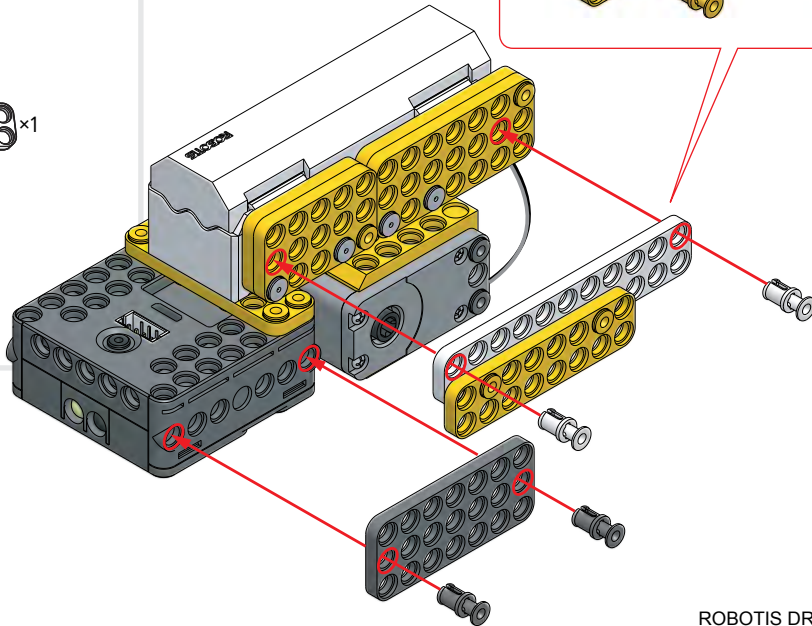
- SRV-1H/1P(∇) ×2
- SRV-1LH/1LP ×4
- SPD-3b5(∇) ×2
- SPD-3b7(∇) ×2

8







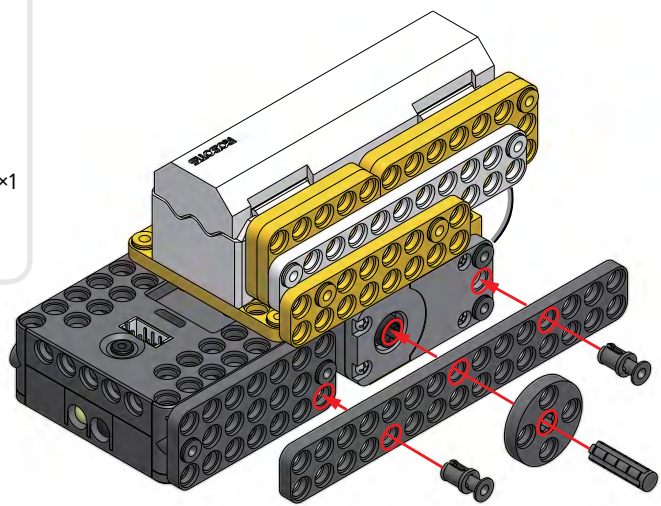
- SRV-1H/1P(⊙) ×2
- SRV-1H/1P(∇) ×2
- SRV-1H/1P(⊕) ×2
- SPD-2b8(∇) ×1
- SPD-2b11(⊙) ×1
- SPD-3b7(⊕) ×1

9




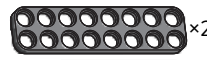



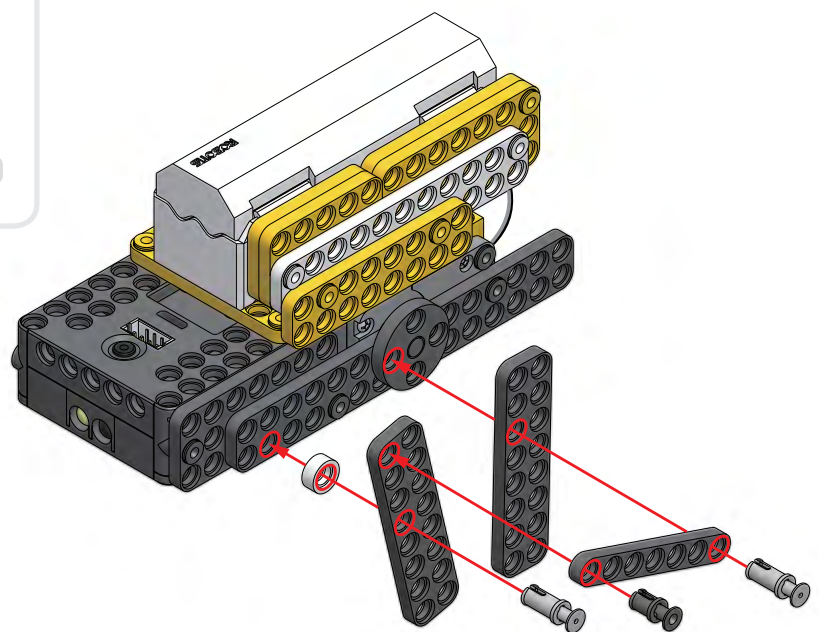
# 10

-  x2  
SRV-1H/1P (K)
-  x1  
SPO-4HC (K)
-  x1  
SI-15 (K)
-  x1  
SPD-2b15 (K)



# 11

-  x1
-  x2  
SRV-1H/1P (K)    SRV-1LH/1LP (K)
-  x1  
SPI-1b7 (K)
-  x2
-  x1  
SPD-2b8 (K)    SPO-1A (W)



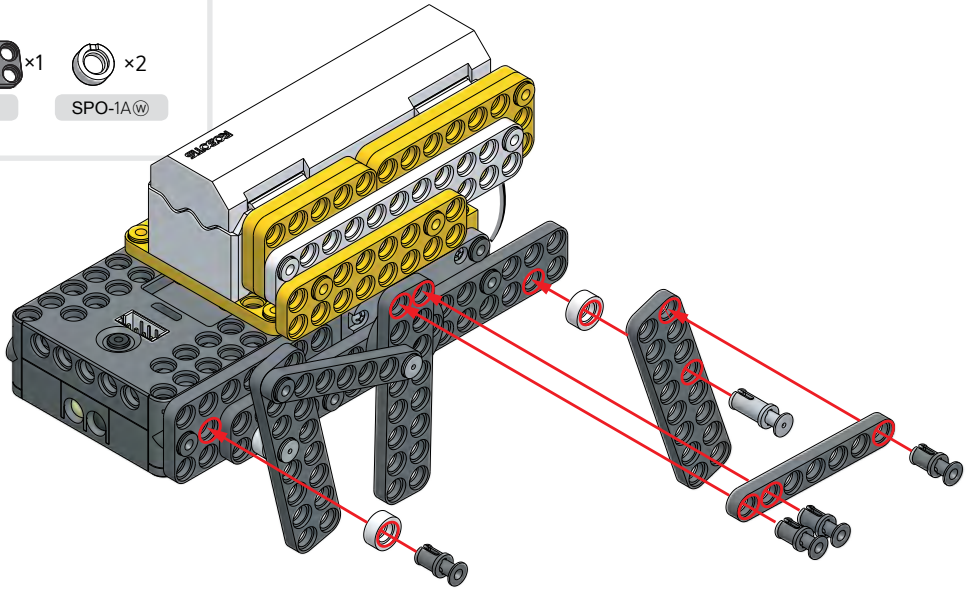


# 12

SRV-1H/1P (K) x4    SRV-1LH/1LP x1

SPI-1b7 (K) x1

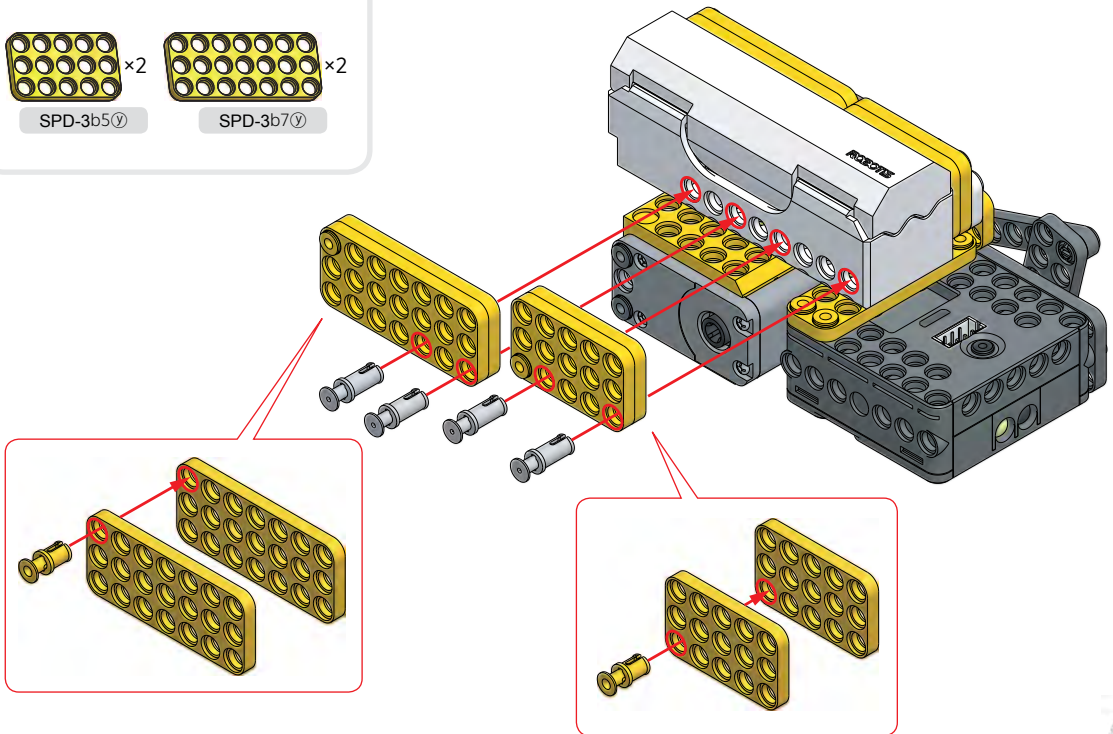
SPD-2b8 (K) x1    SPO-1A (W) x2








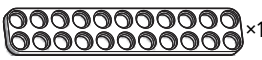
# 13

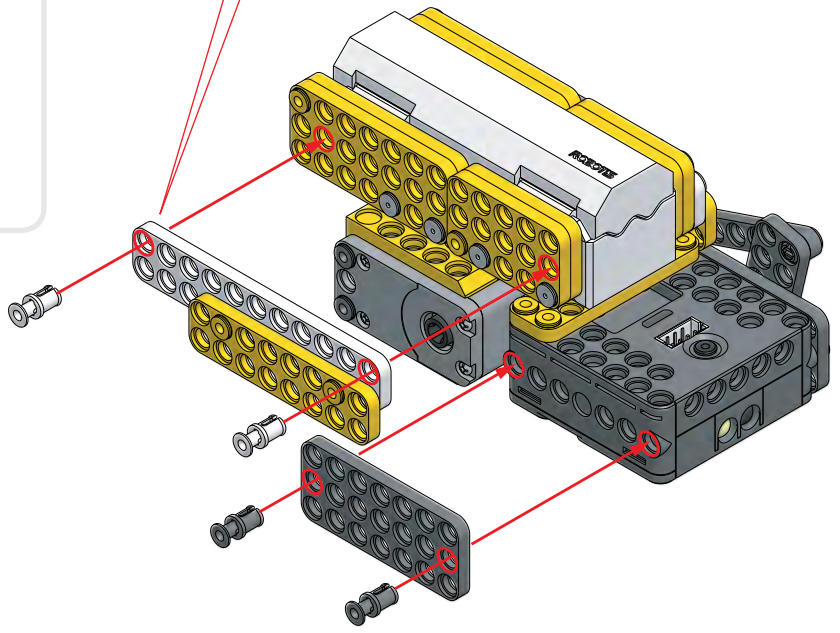
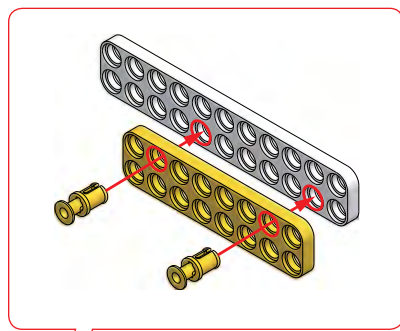
SRV-1H/1P (V) x2    SRV-1LH/1LP x4

SPD-3b5 (V) x2    SPD-3b7 (V) x2







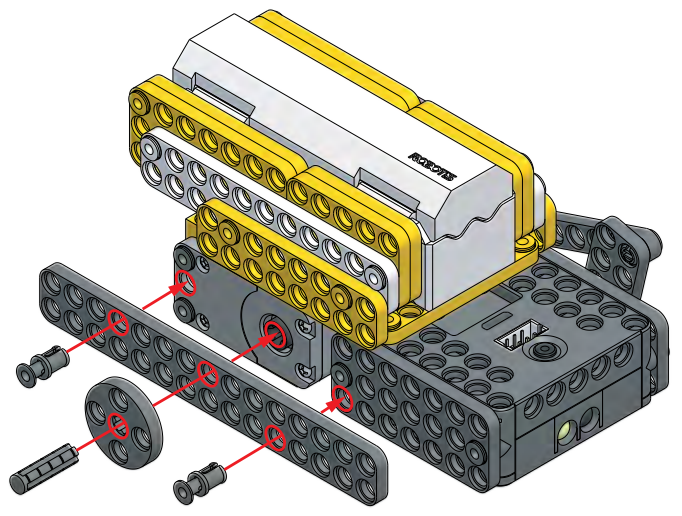
# 14

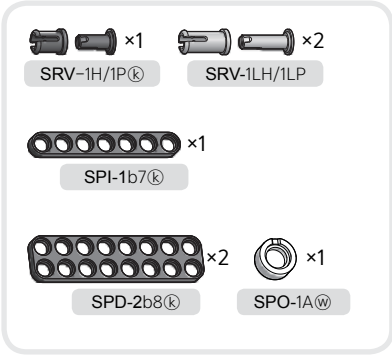
-  
-  
- 
- 



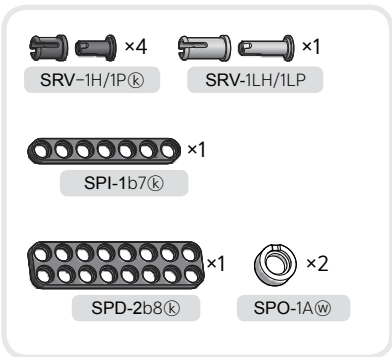
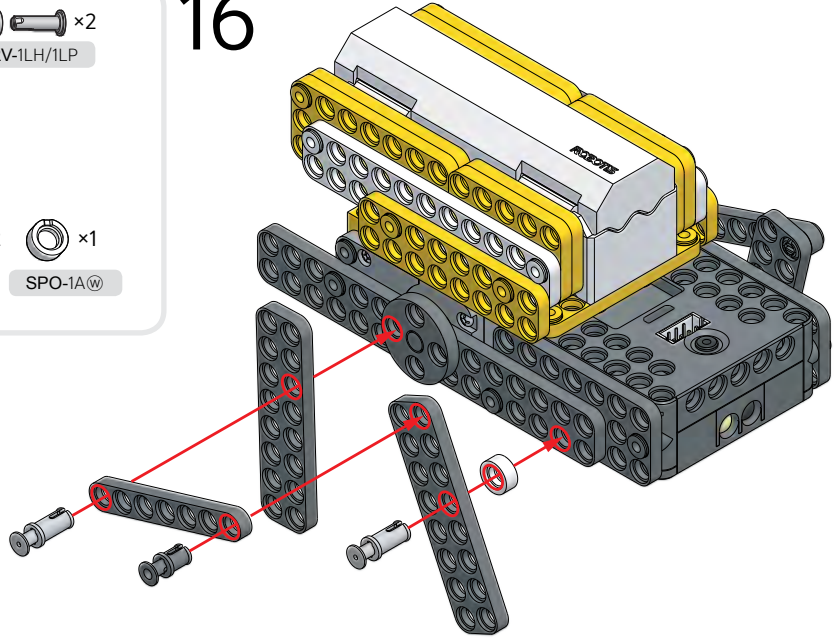
# 15

- 
-  
- 

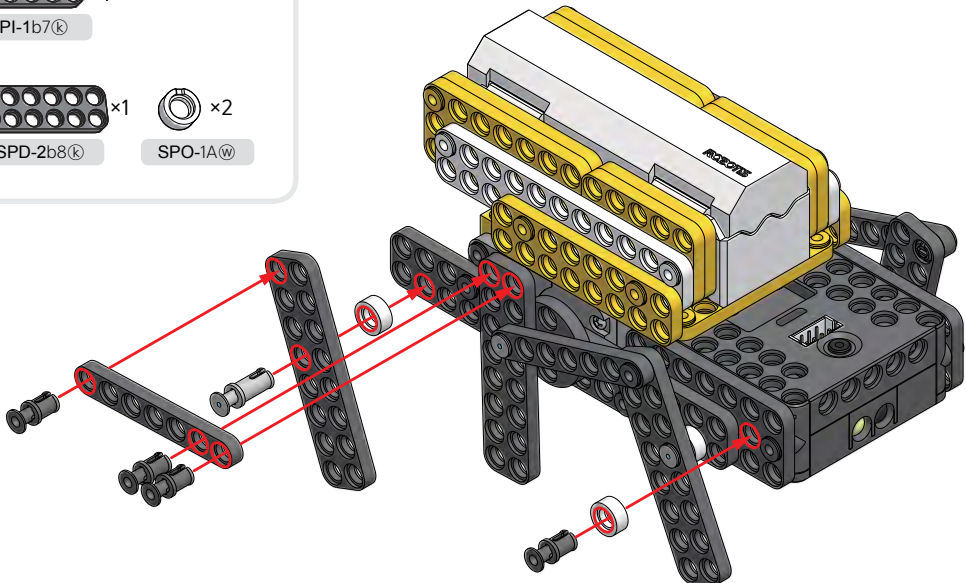







16

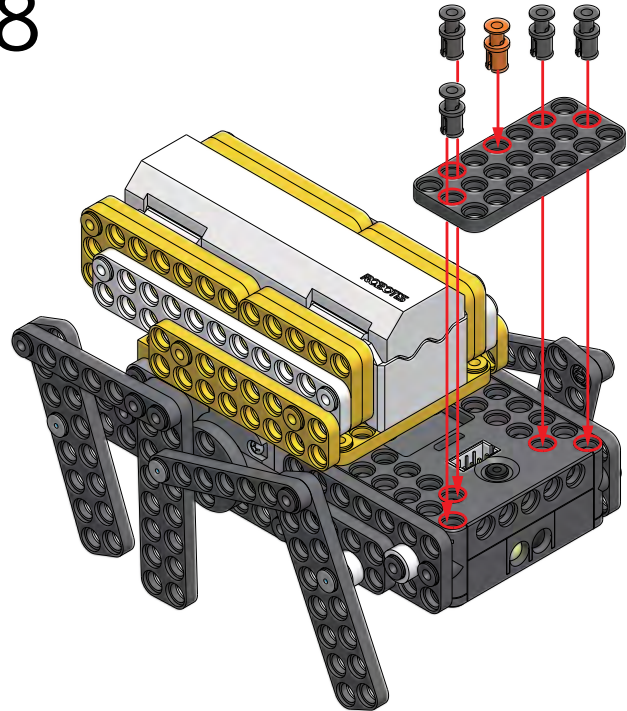


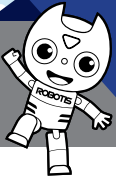
17



# 18

-  x1  
SRV-1H/1PⓄ
-  x4  
SRV-1H/1PⓀ
-  x1  
SPD-3b7Ⓚ





# My Own Robot!

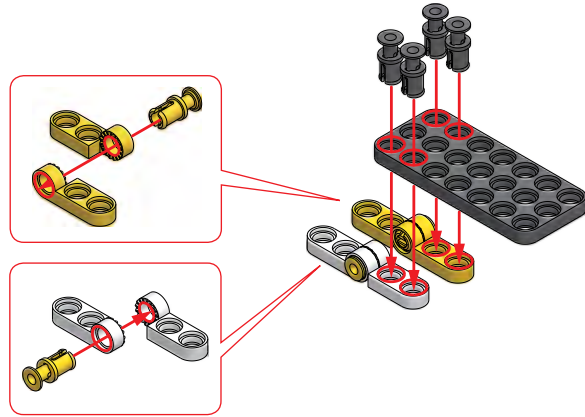
Customize the appearance to make your own unique robot.

**1**

SRV-1H/1P (V) x2    SRV-1H/1P (K) x4

SPD-3b7 (K) x1

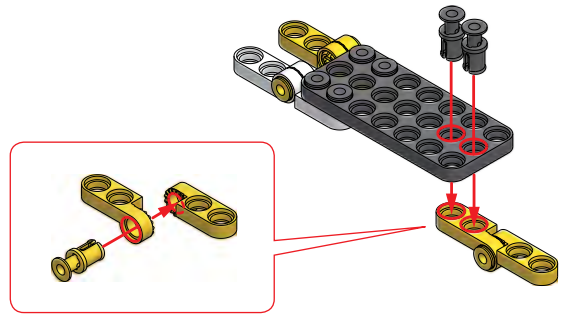
SPJ-1b2R (V) x2    SPJ-1b2L (W) x2



**2**

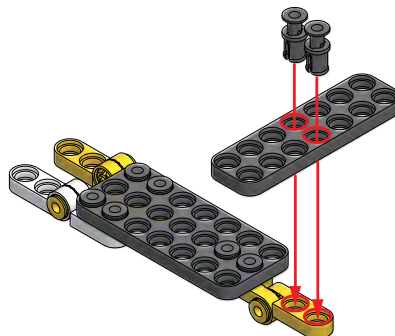
SRV-1H/1P (V) x1    SRV-1H/1P (K) x2

SPJ-1b2R (V) x2



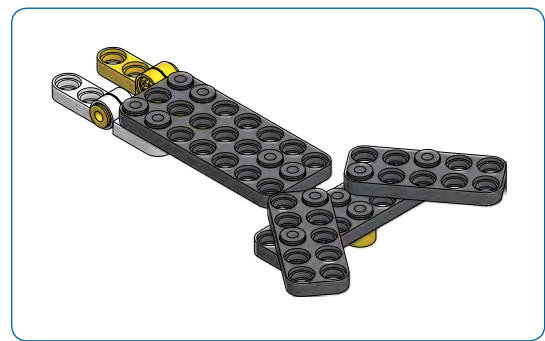
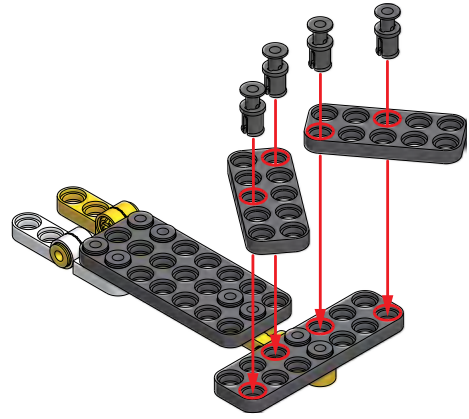
**3**

SRV-1H/1P (K) x2    SPD-2b7 (K) x1



SRV-1H/1P (K) x4  
SPD-2b5 (K) x2

4



SRV-1H/1P (V) x4

5

