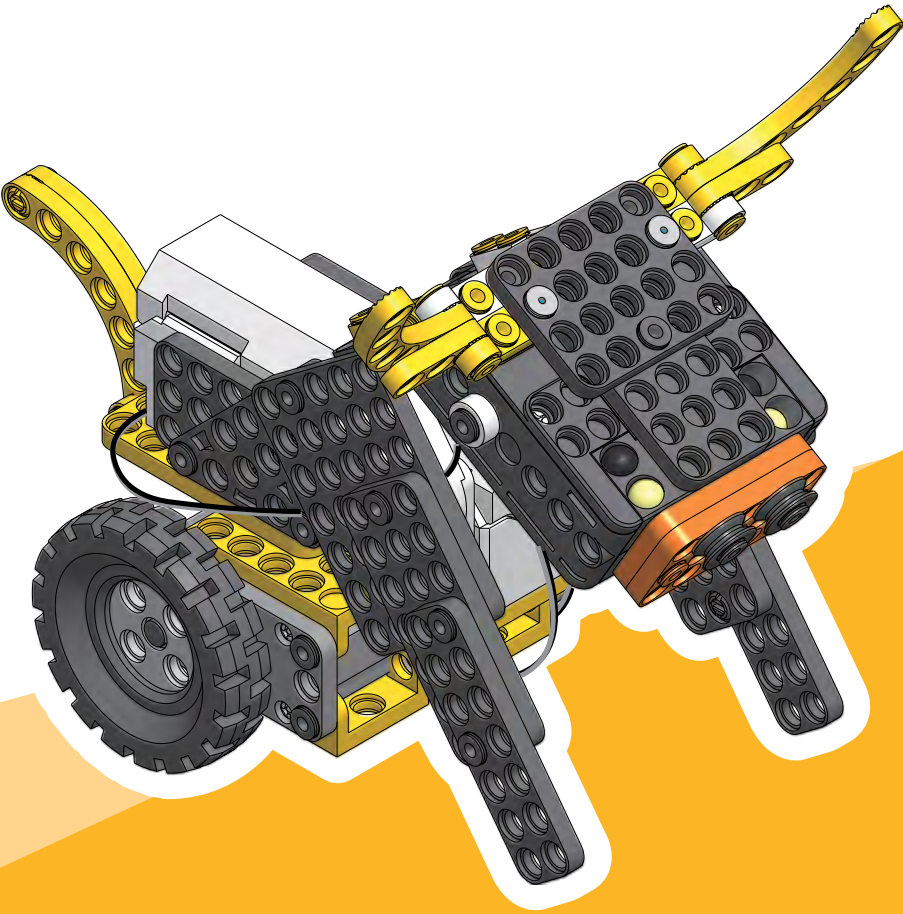
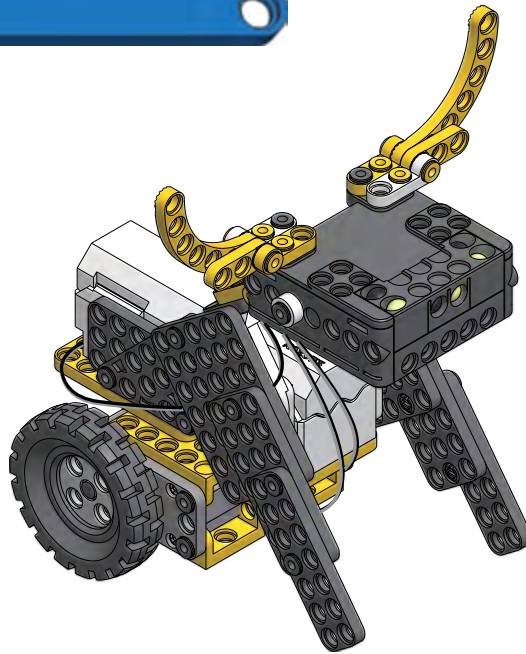


# Buffalo

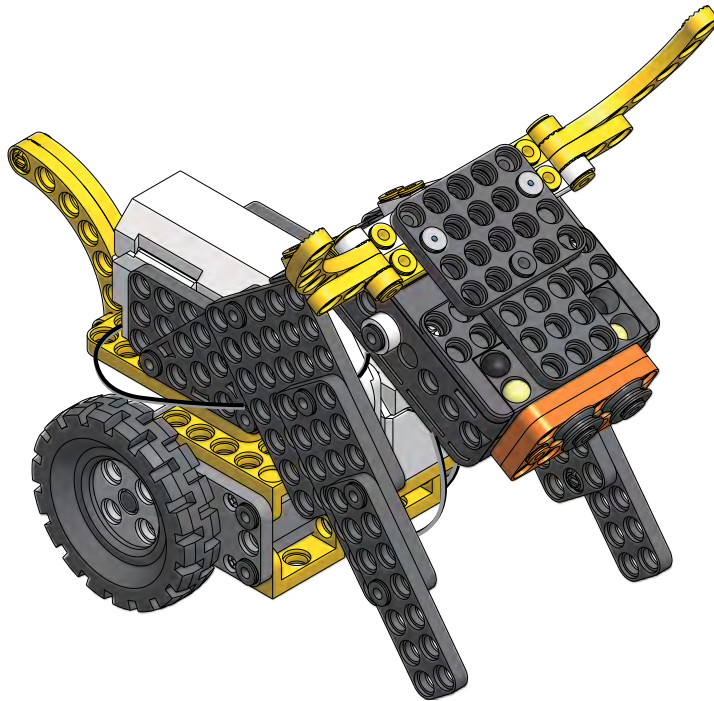


## Let's build!

Let's build a robot.



Below is the final image of the robot when you are done with assembling the "My Own Robot" step.

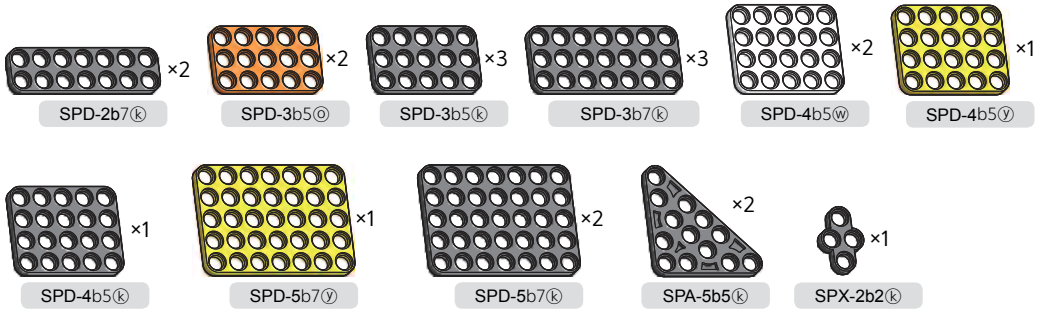


You will require the following parts.

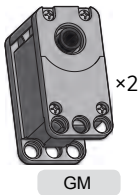
Rivet



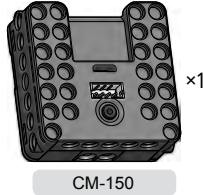
Plate



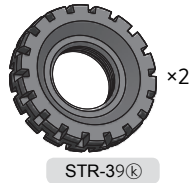
Geared motor



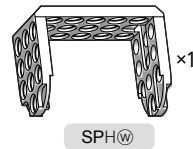
Controller



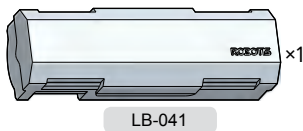
Tire



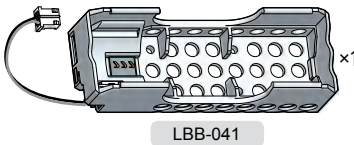
Hinge



Battery



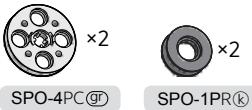
Battery box



Adaptor



Pulley



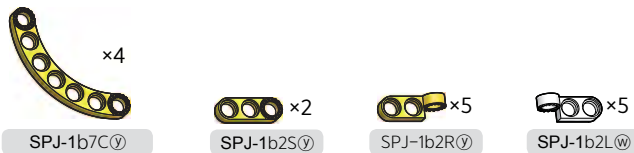
Spacer



Spindle

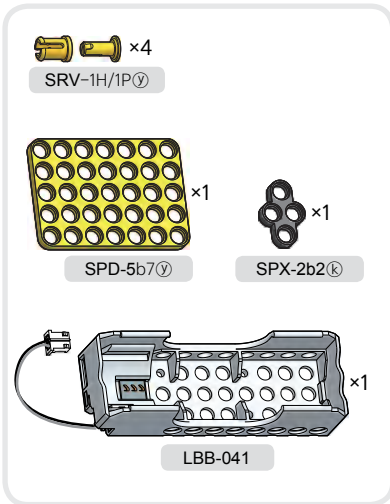


Joint

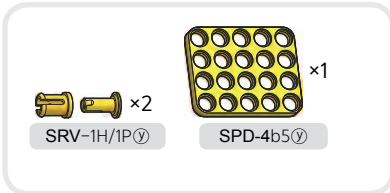
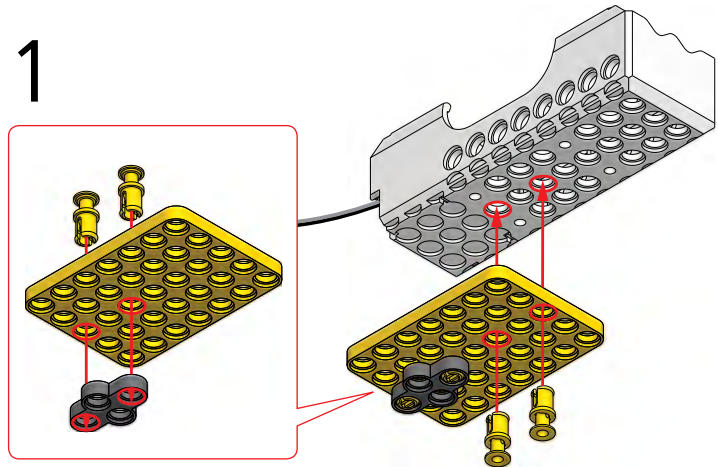


• Parts and color of the products might be different from the images of the assembly manual.

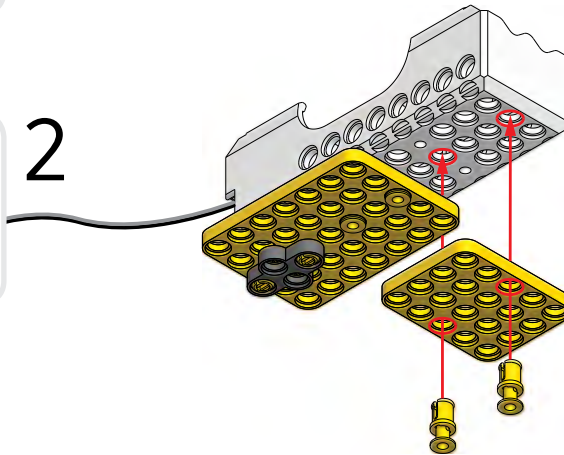
## Building a Buffalo Robot



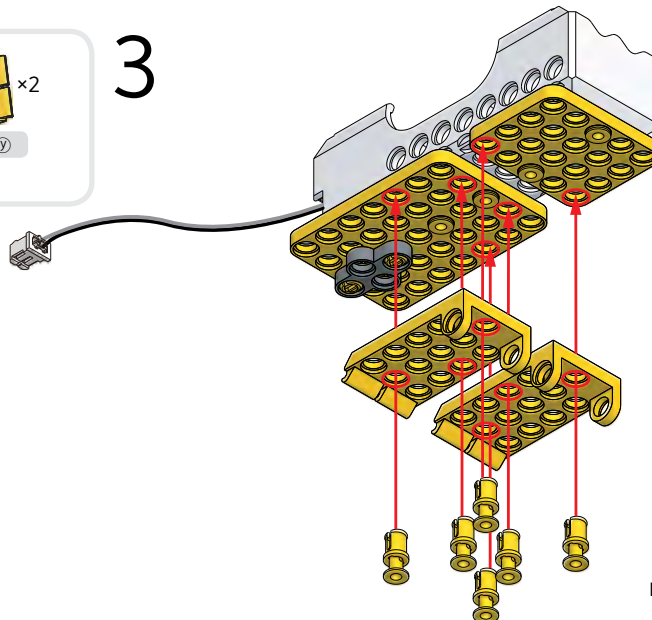
1

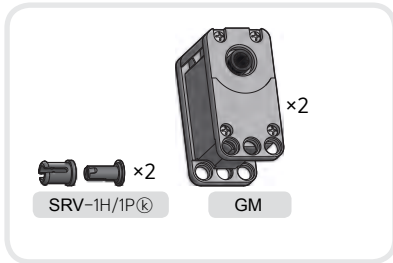


2

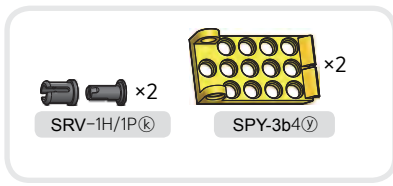
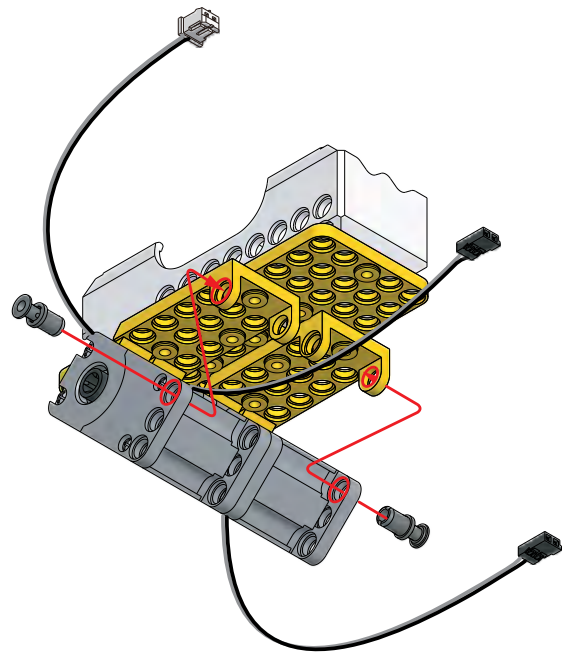


3

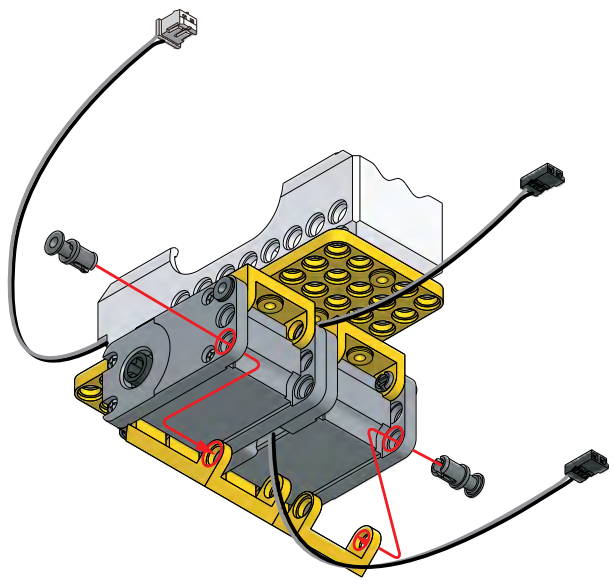




4

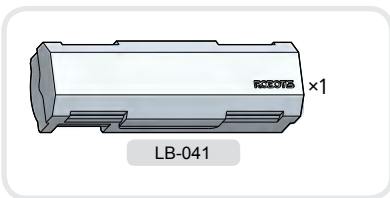
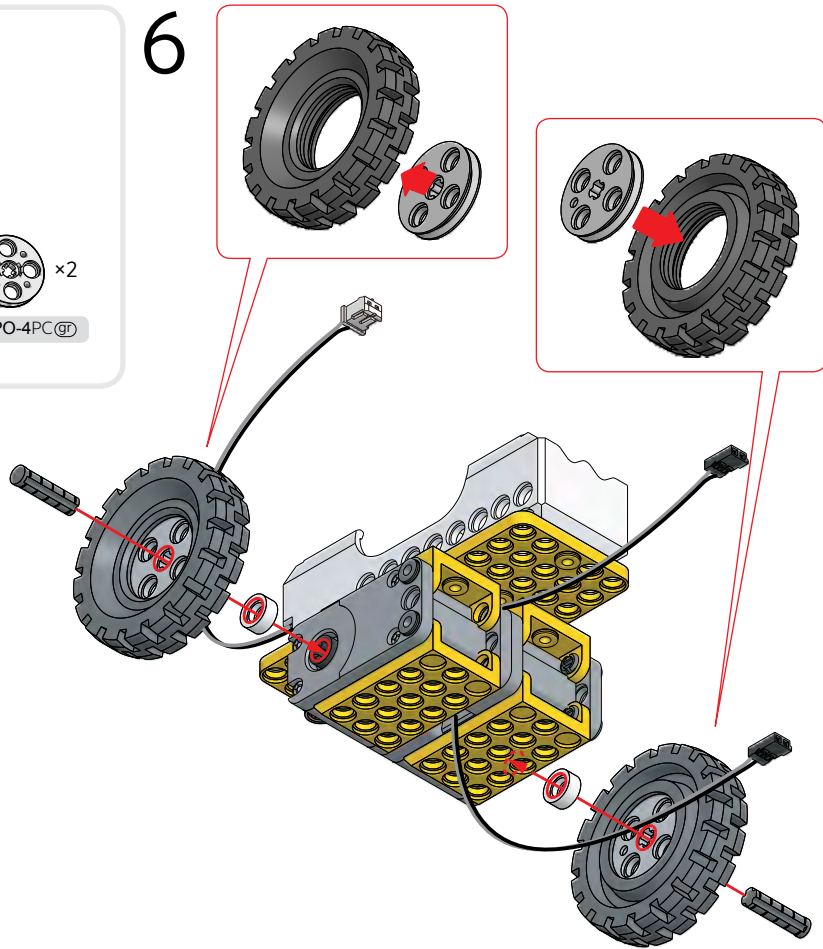


5

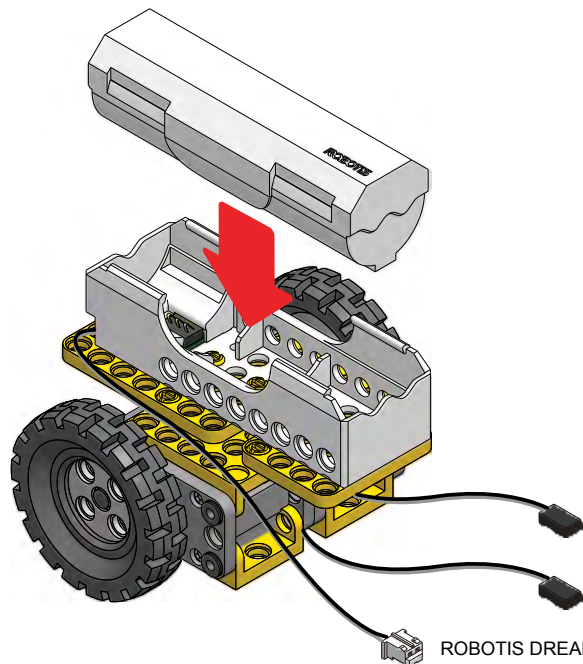


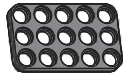


6

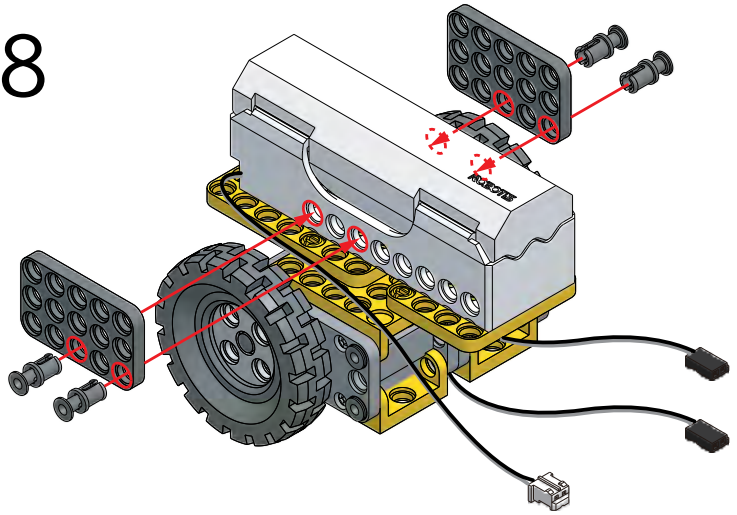




7



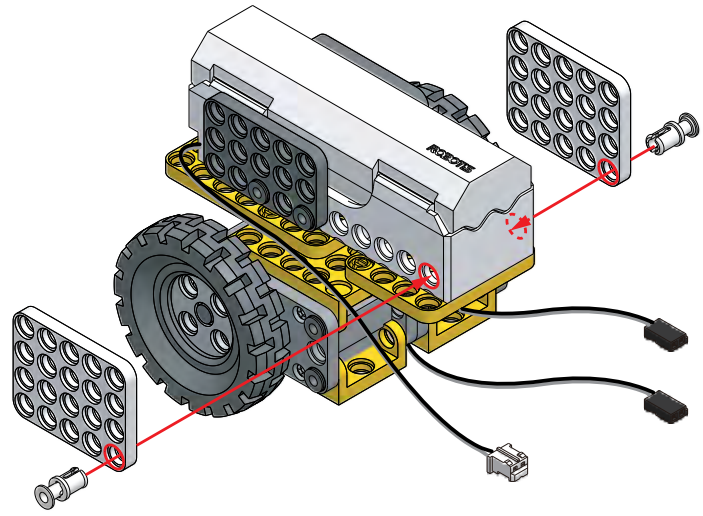
 ×4  
 ×2


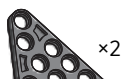
8



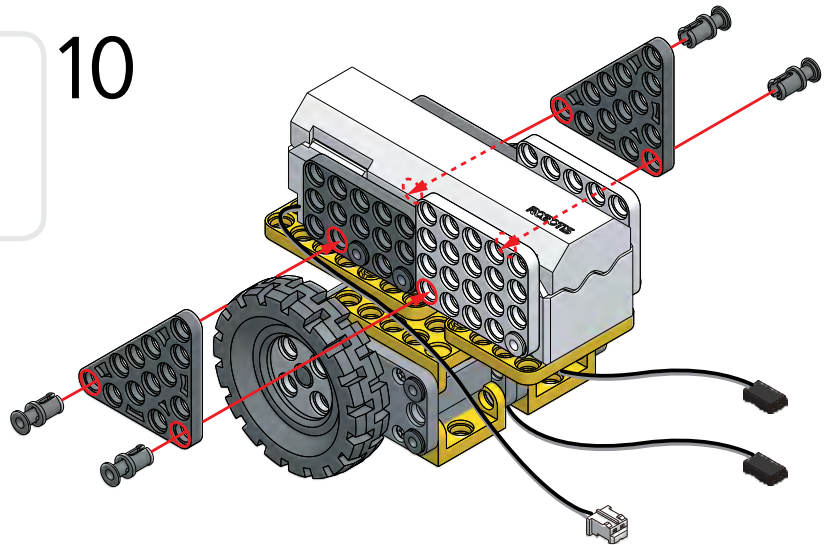
 ×2  
 ×2

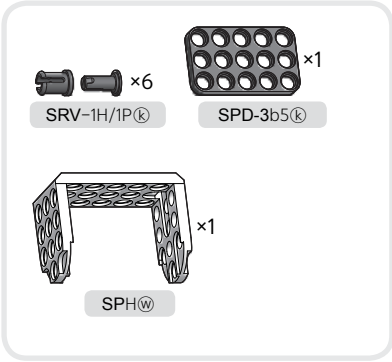
9



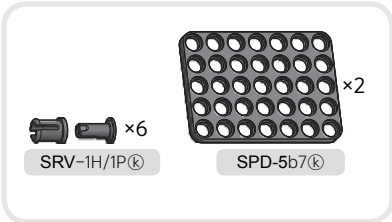
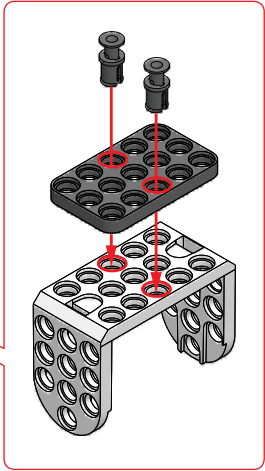
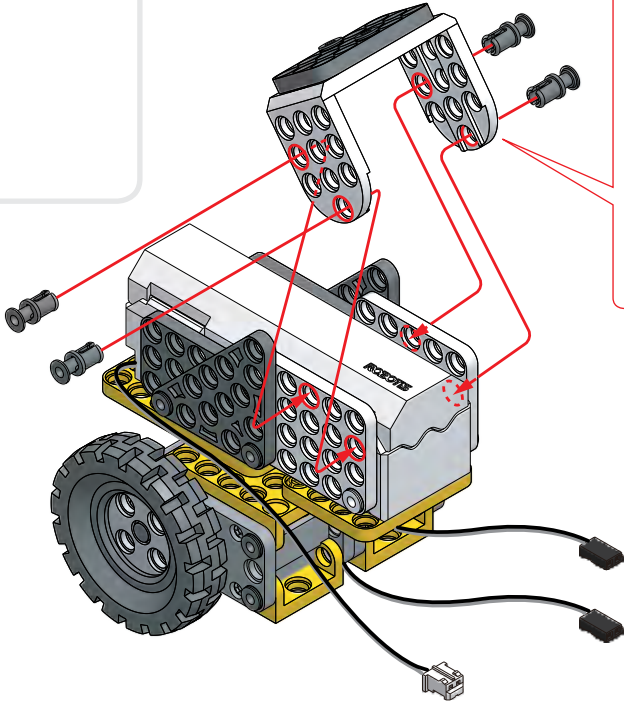
 ×4  
 ×2

10

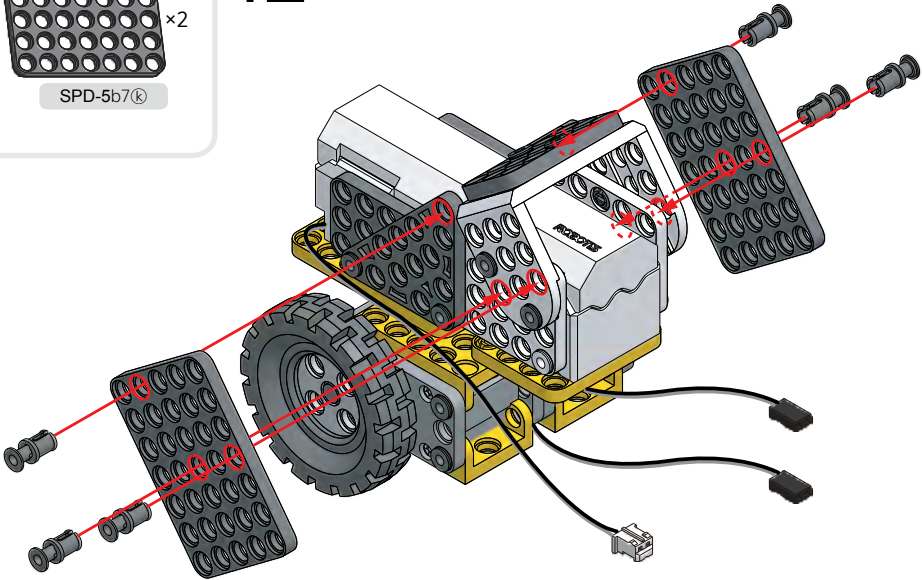





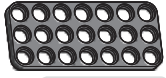
11



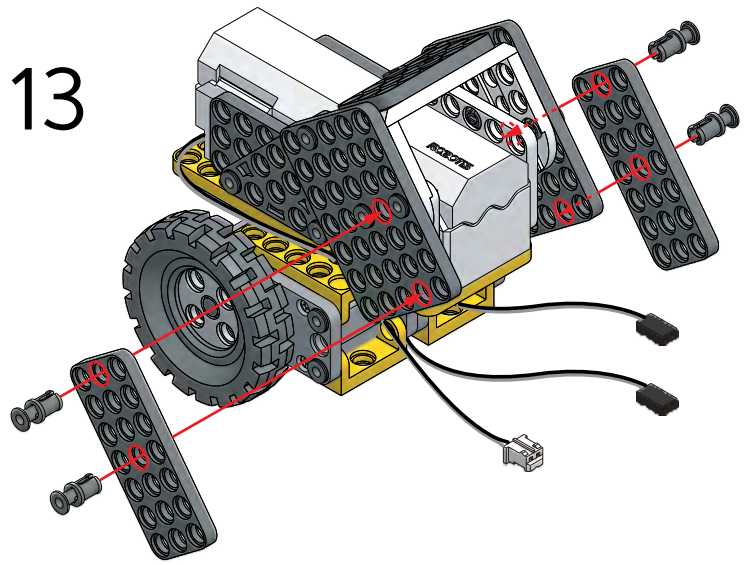
12






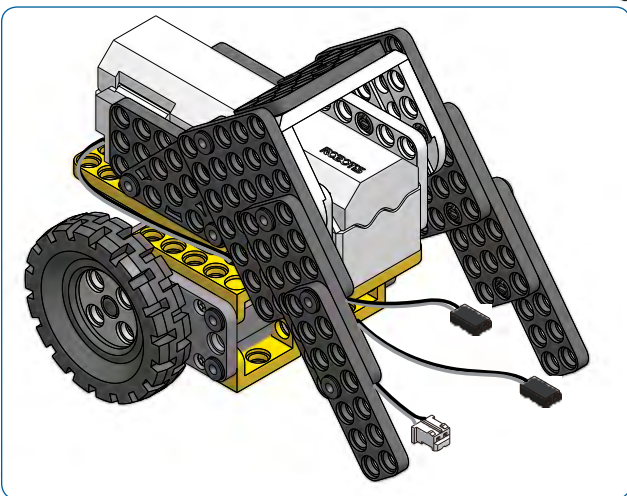
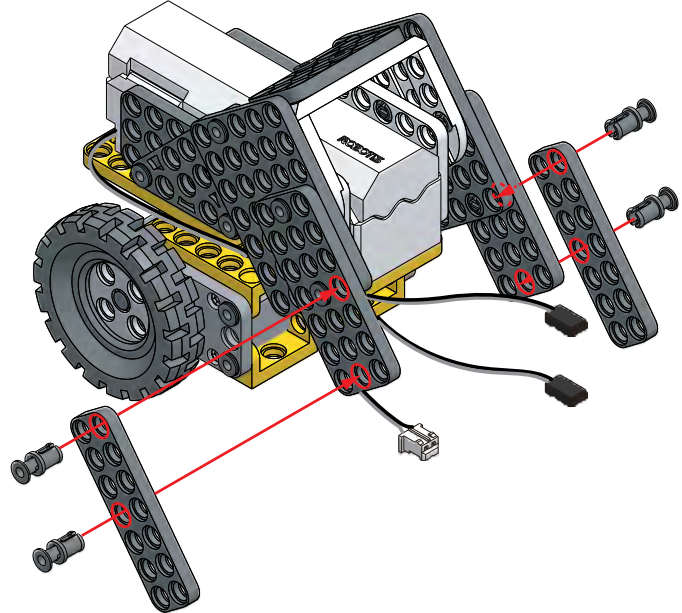
 x4  
 x2  
 SRV-1H/1P (K)      SPD-3b7 (K)

13



 x4  
 x2  
 SRV-1H/1P (K)      SPD-2b7 (K)

14





×6  
SRV-1H/1P



×2  
SPJ-1b2R



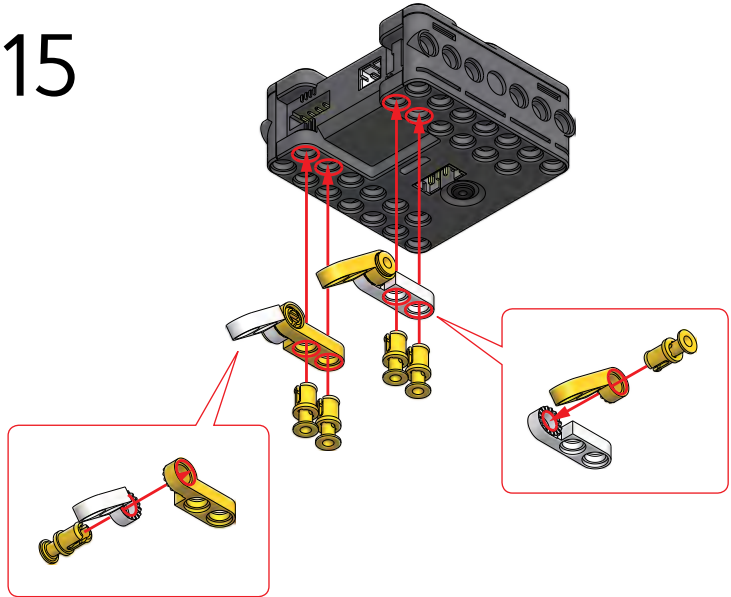
×2  
SPJ-1b2L



×1

CM-150

15

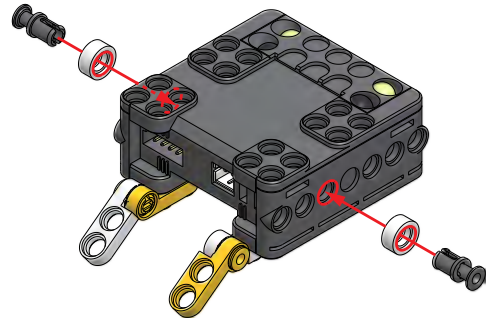


×2  
SRV-1H/1P



×2  
SPO-1A

16



×4  
SRV-1H/1P



×2  
SPJ-1b2S

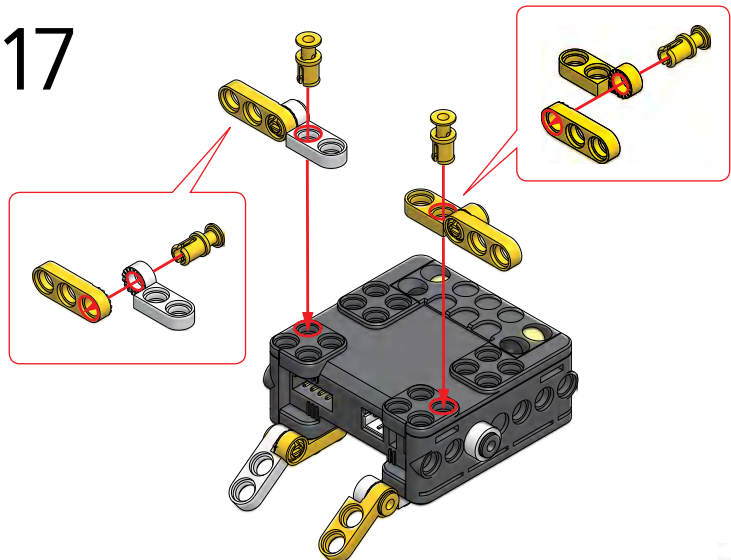


×1  
SPJ-1b2R



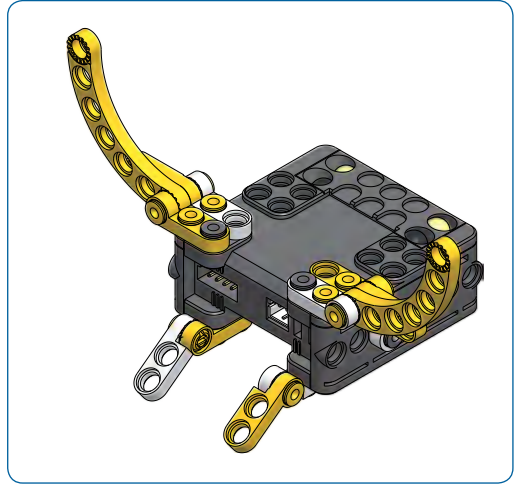
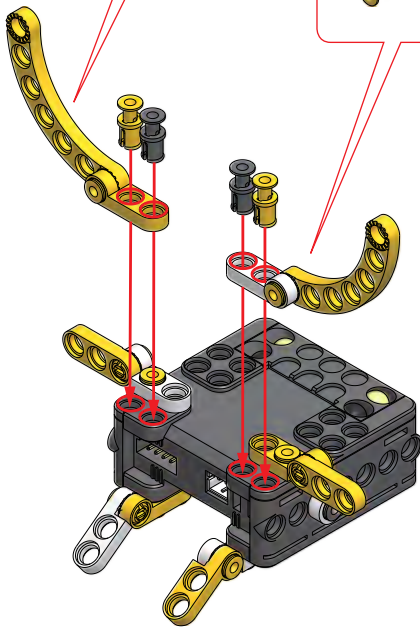
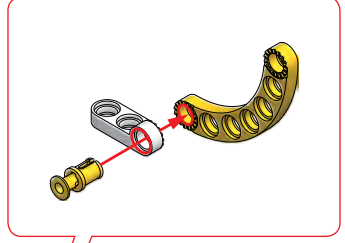
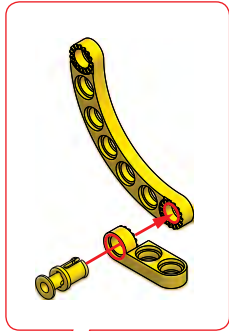
×1  
SPJ-1b2L

17

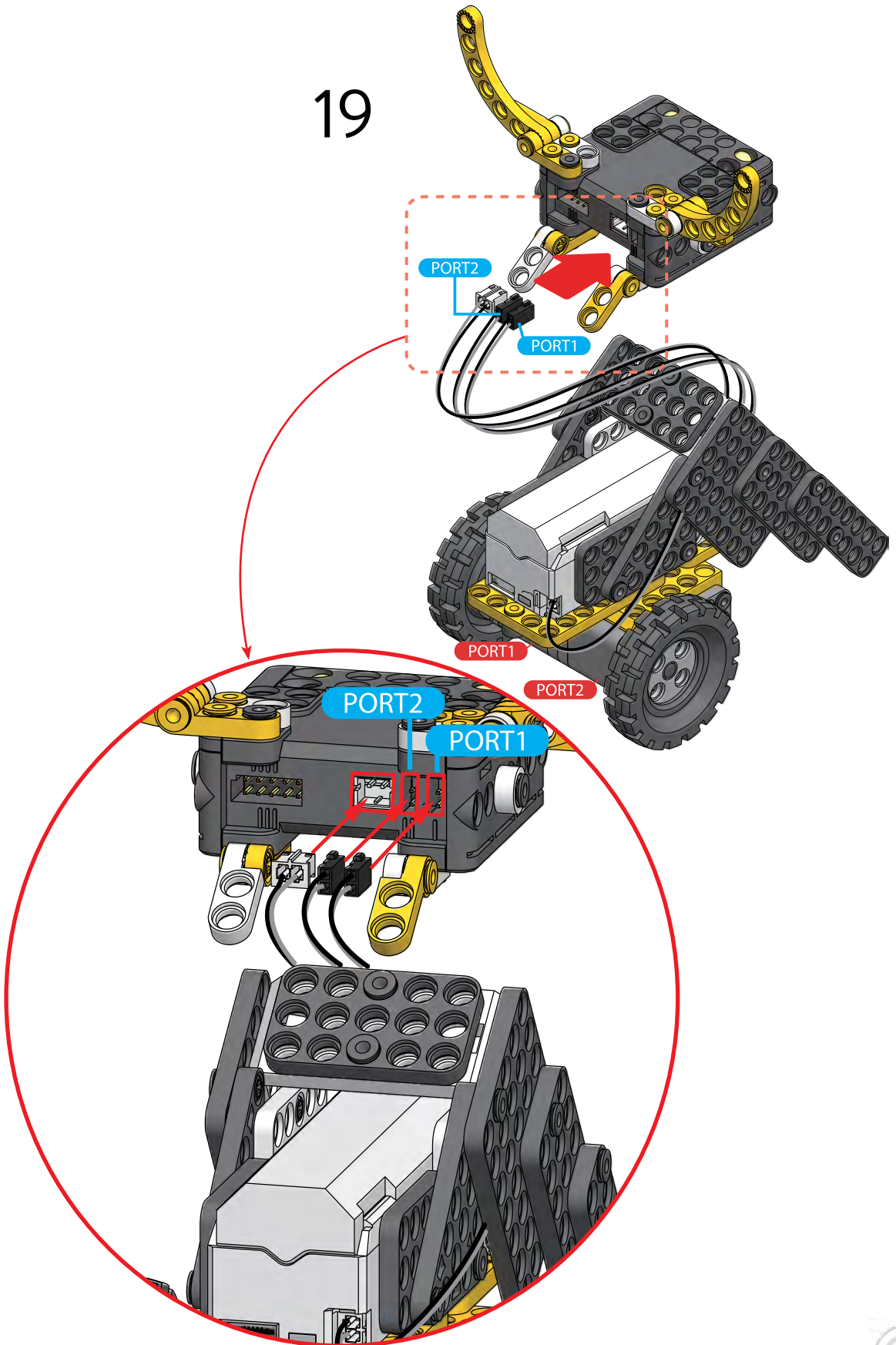



# 18

-  x4  x2
- SRV-1H/1P  
-  x1  x1
- SPJ-1b2R  
-  x2
- SPJ-1b7C 

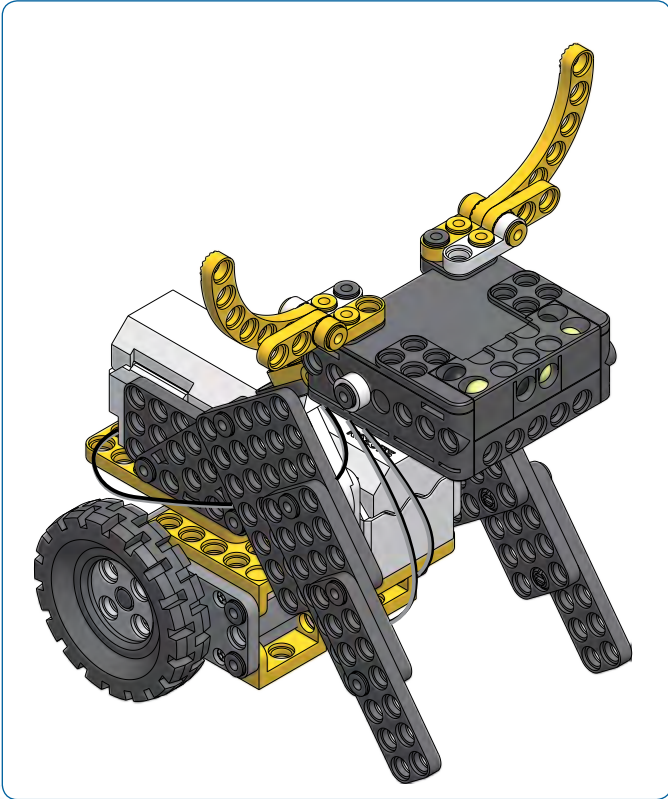
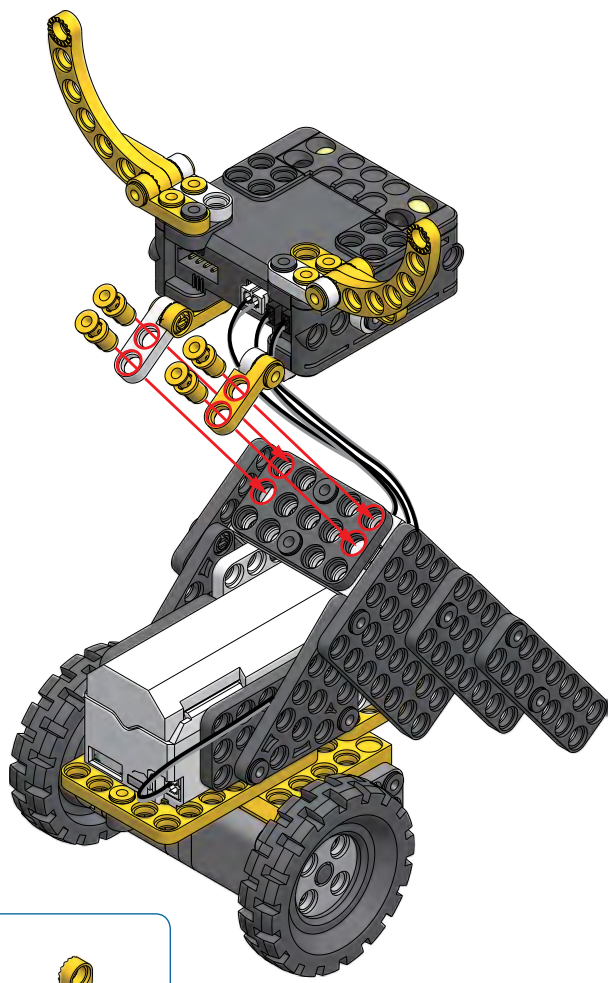


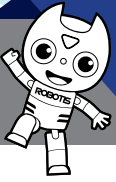
19



 x4  
SRV-1H/1P

20



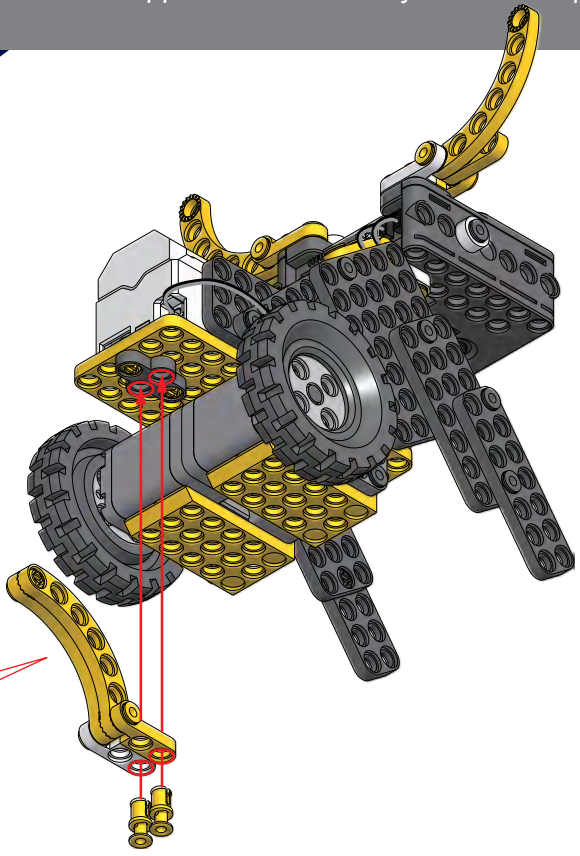
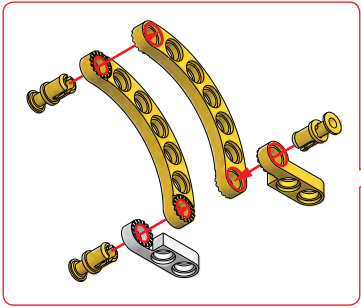


# My Own Robot!

Customize the appearance to make your own unique robot.

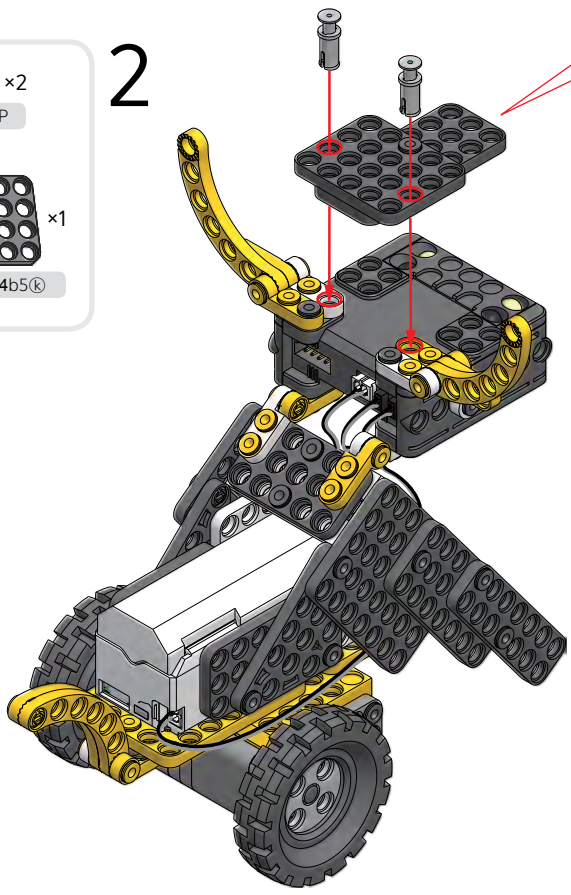
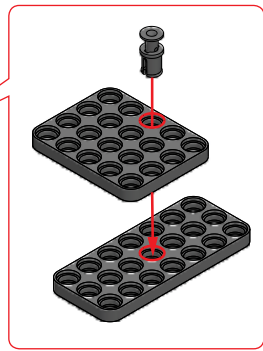
- SRV-1H/1P (yellow) x5
- SPJ-1b2R (yellow) x1
- SPJ-1b7C (yellow) x2
- SPJ-1b2L (white) x1

1



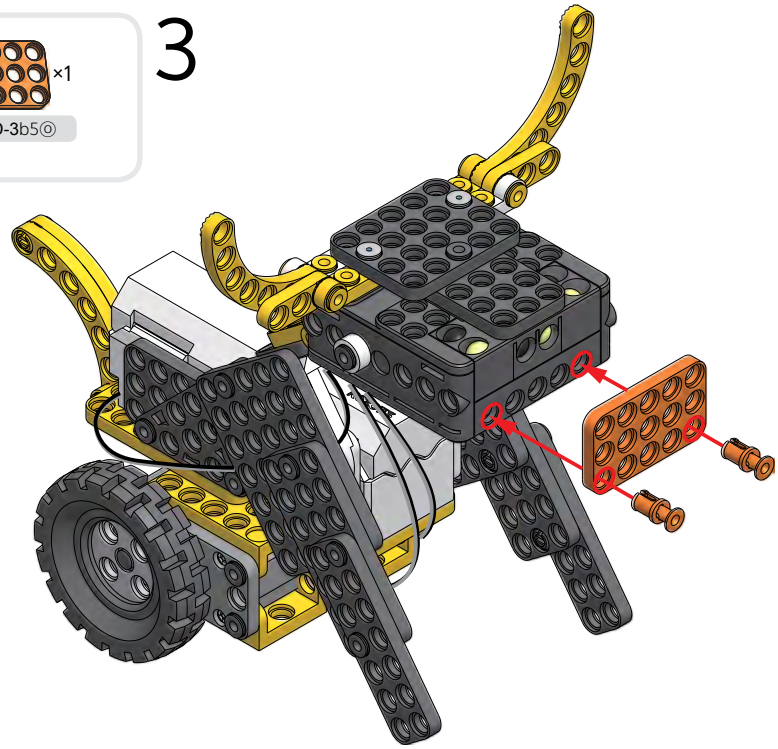
- SRV-1H/1P (grey) x1
- SRV-1LH/1LP (grey) x2
- SPD-3b7 (grey) x1
- SPD-4b5 (grey) x1

2



- SRV-1H/1P ⊕ ×2
- SPD-3b5 ⊕ ×1

3



- SRV-1H/1P ⊕ ×2
- SRV-1H/1P ⊕ ×2
- SPD-3b5 ⊕ ×1
- SPO-1PR ⊕ ×2

4

