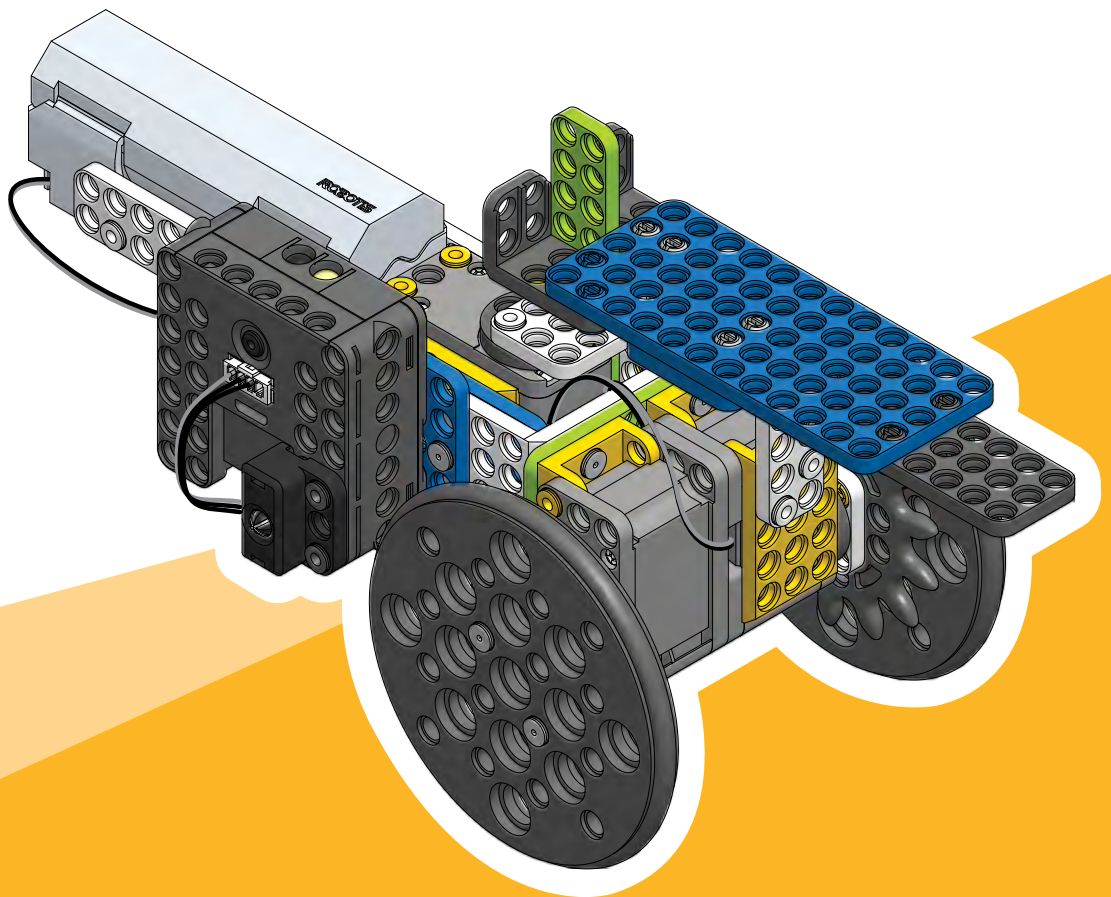


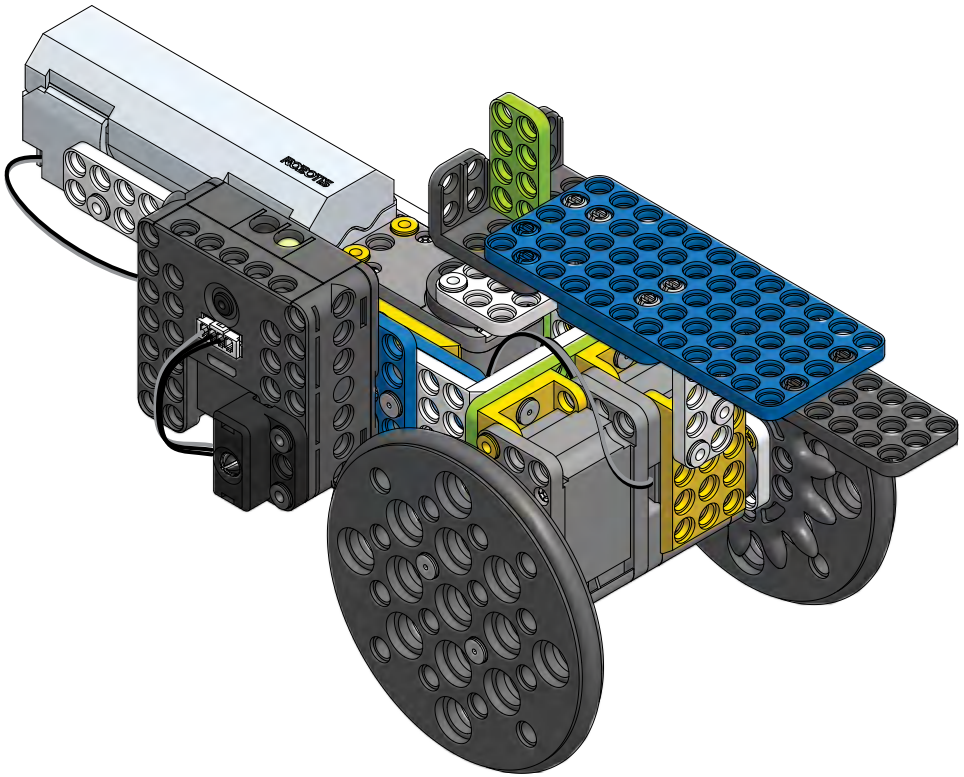


Cannon



Let's build!

Let's build a robot.

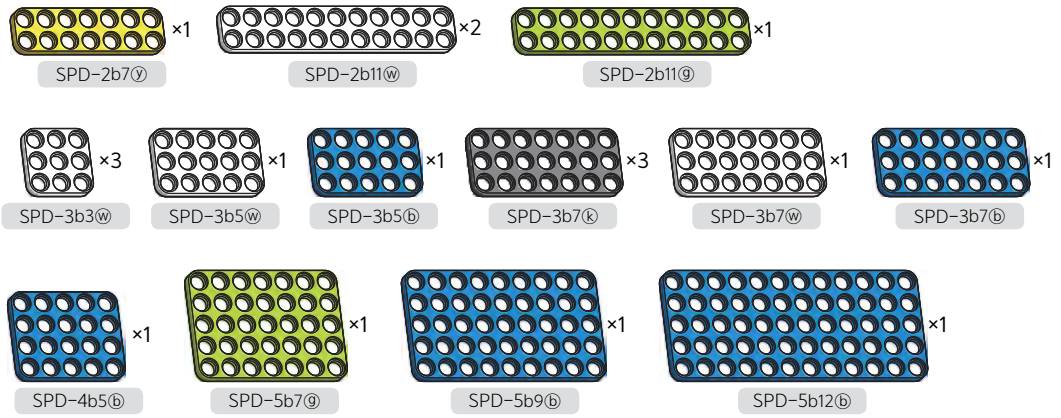


This chapter requires the following parts.

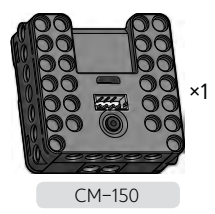
Rivet



Plate



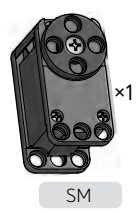
Controller



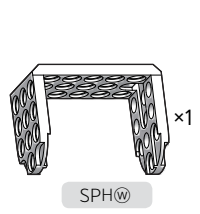
Geared motor



Servo motor



Hinge



Adaptor



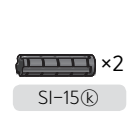
Pulley



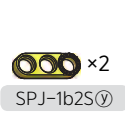
Cross horn



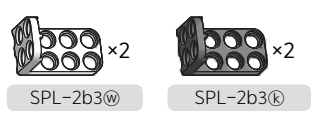
Spindle



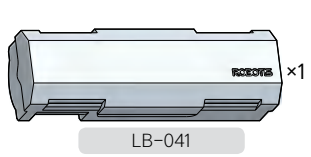
Joint



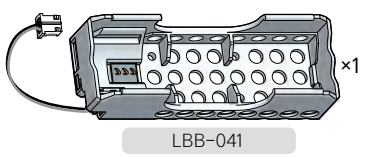
Bracket



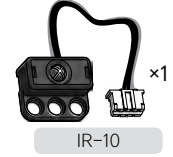
Battery



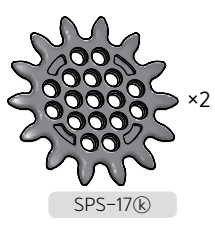
Battery box



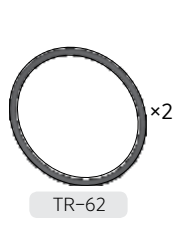
IR Receiver



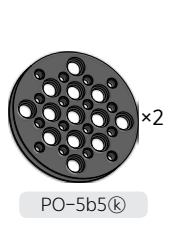
Sprocket



Tire



Pulley



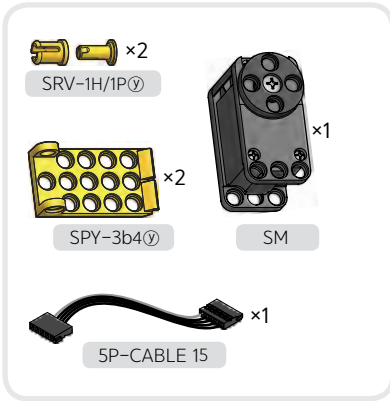
Cable



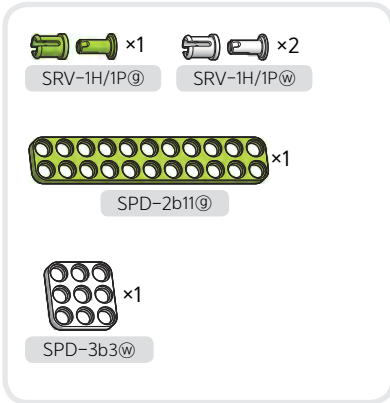
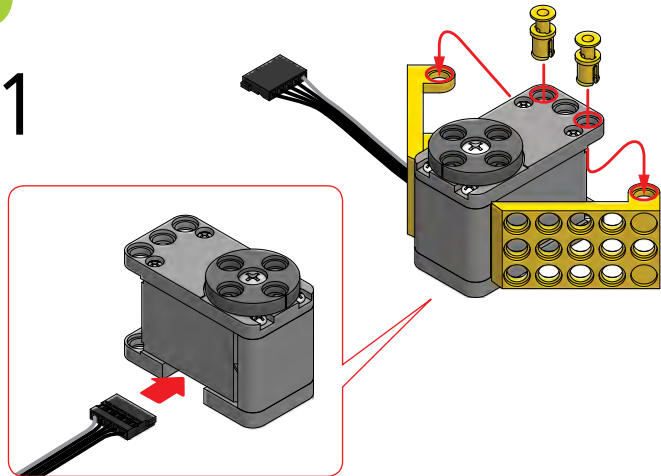
Rubber band



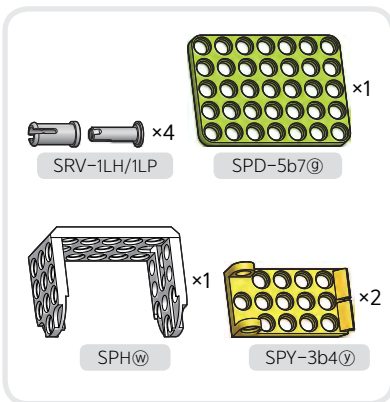
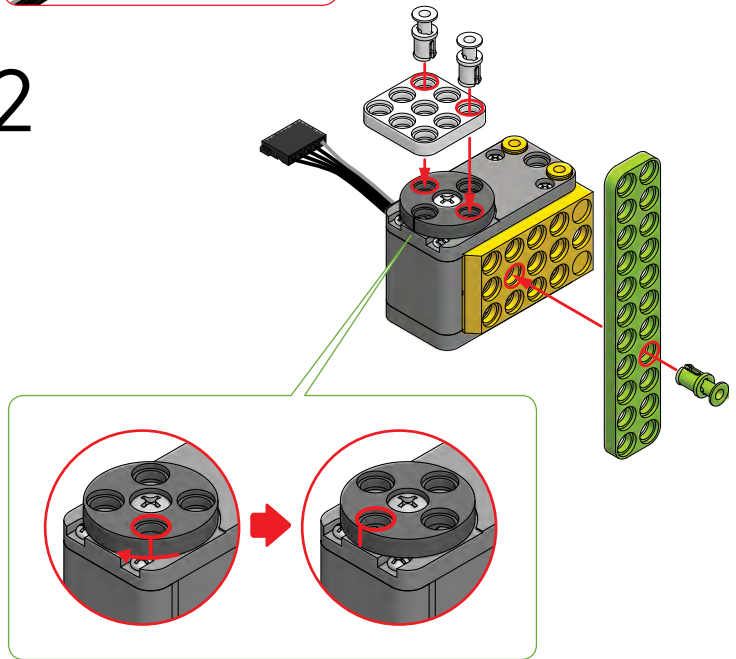
Building the cannon



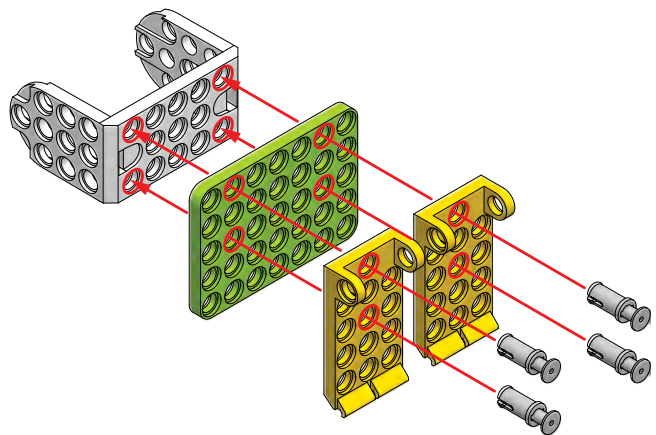
1

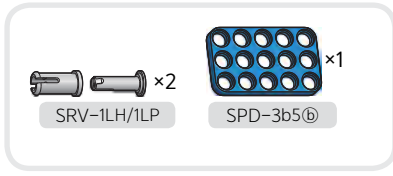


2

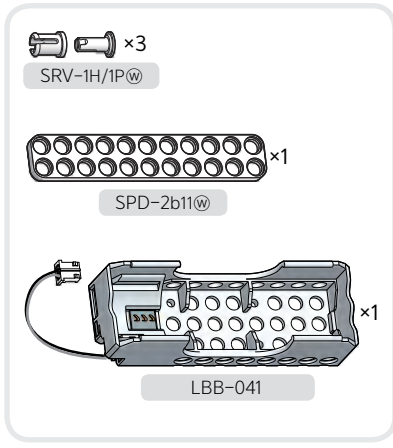
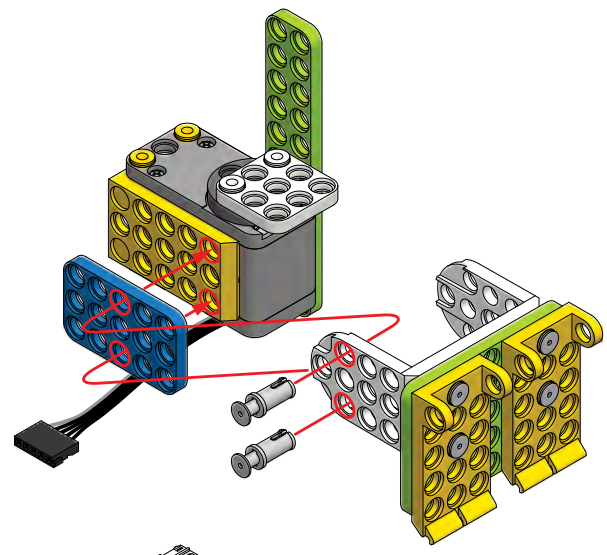


3

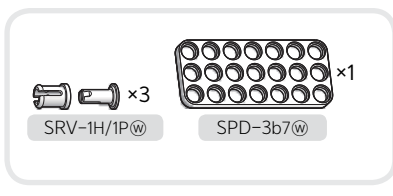
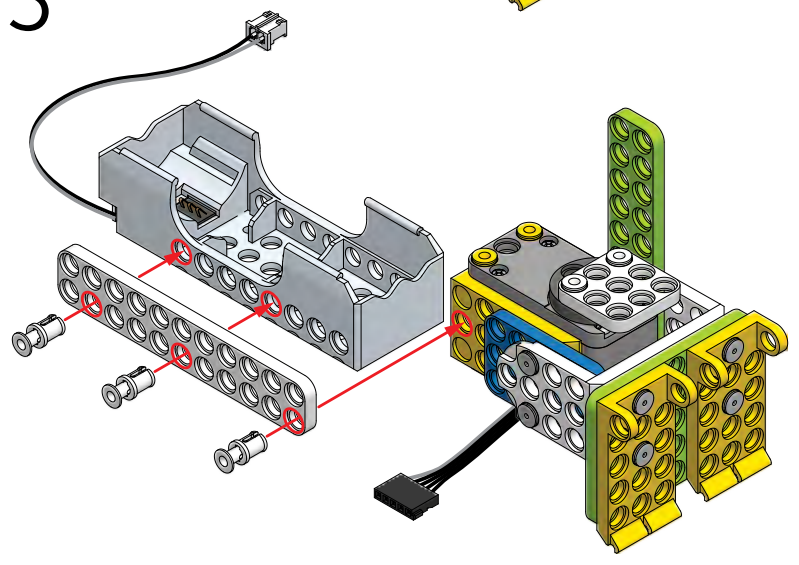




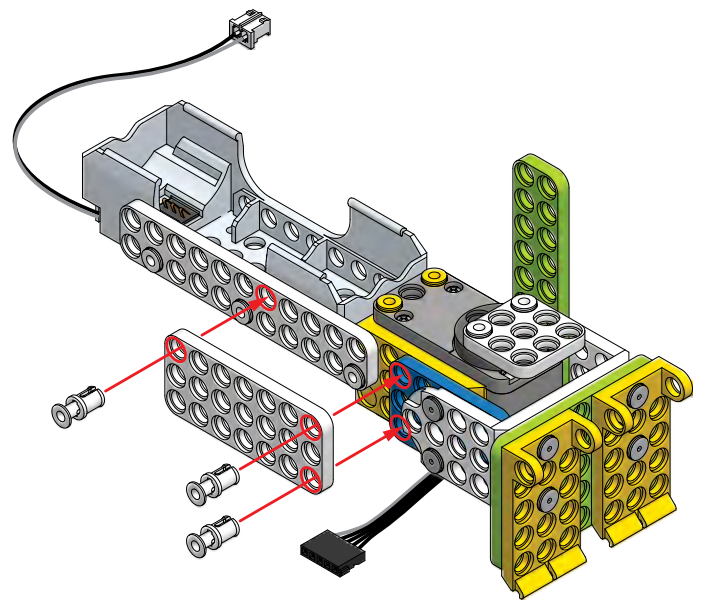
4



5



6



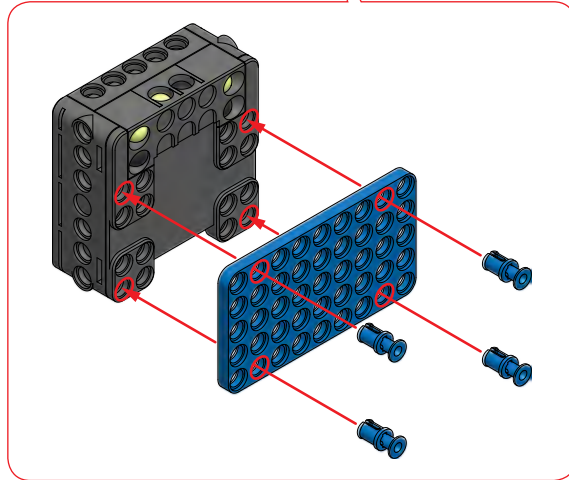
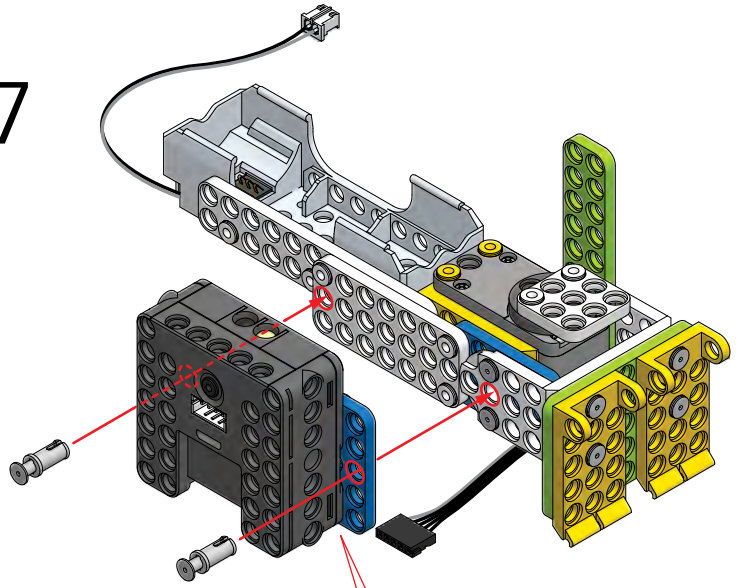
 x4
 SRV-1H/1PⓈ


 x2
 SRV-1LH/1LP


 x1
 CM-150

 x1
 SPD-5b9Ⓢ

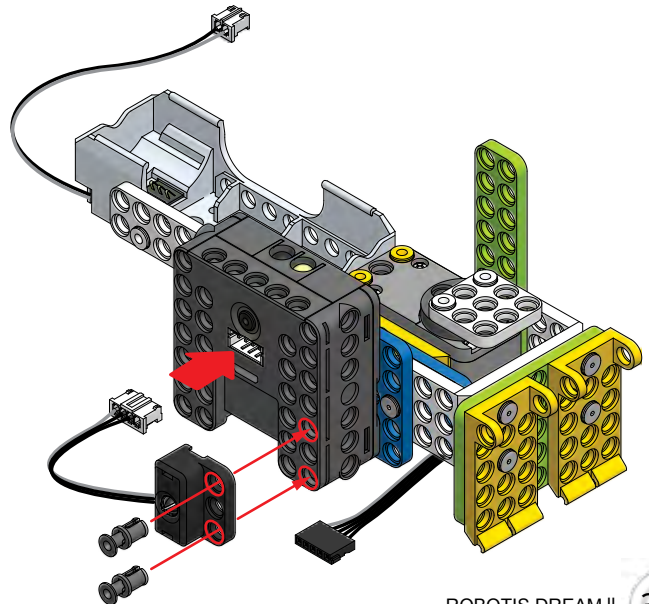
7



 x2
 SRV-1H/1PⓈ

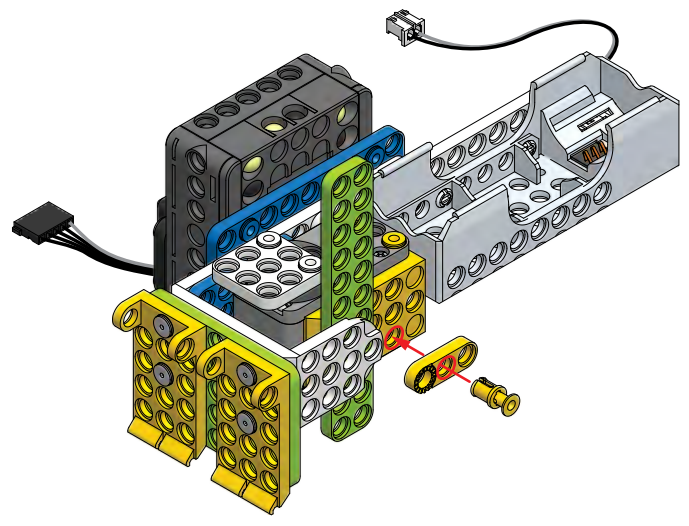
 x1
 IR-10

8



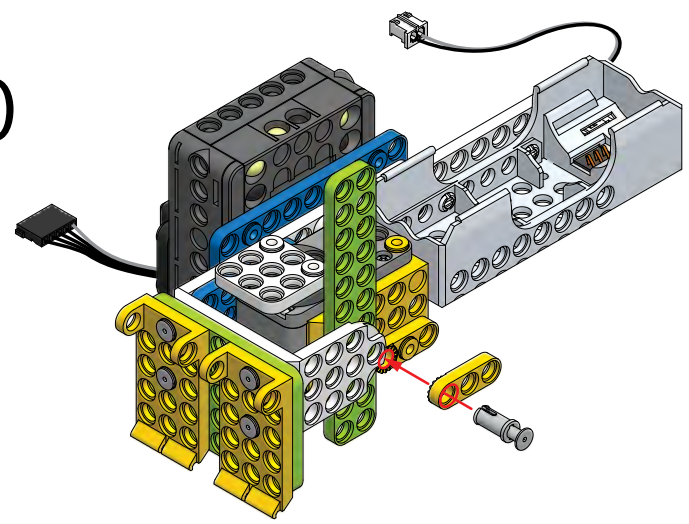
- SRV-1H/1P Ⓟ ×1
- SPJ-1b2S Ⓟ ×1

9



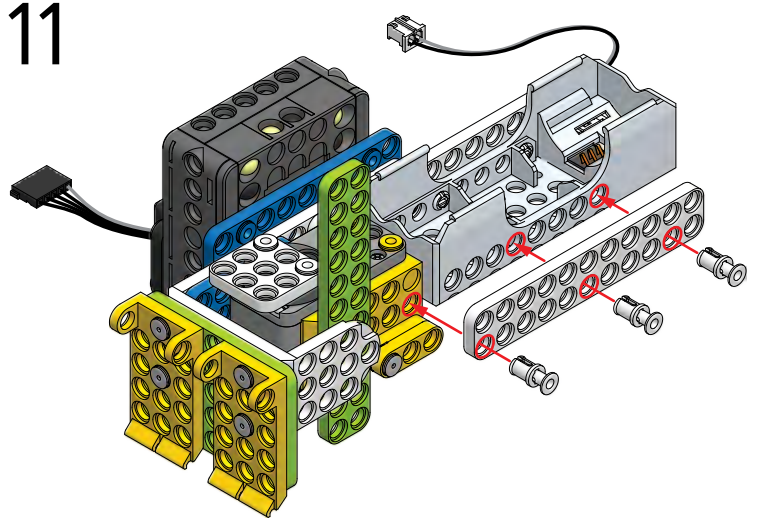
- SRV-1LH/1LP Ⓟ ×1
- SPJ-1b2S Ⓟ ×1

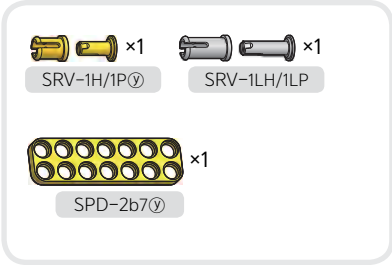
10



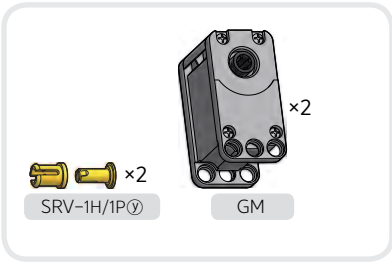
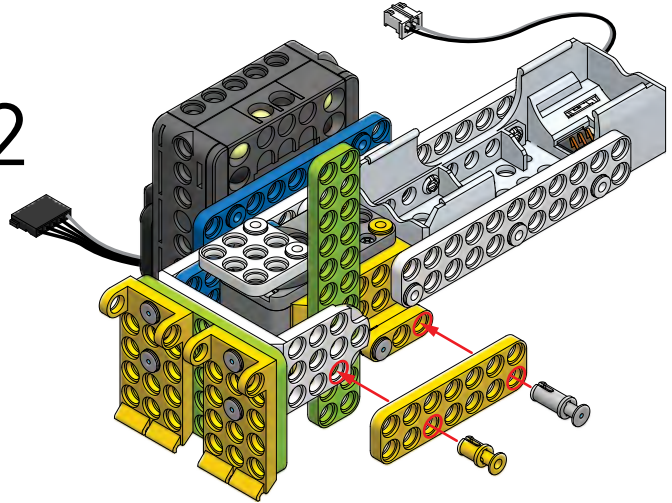
- SRV-1H/1P Ⓟ ×3
- SPD-2b11 Ⓟ ×1

11

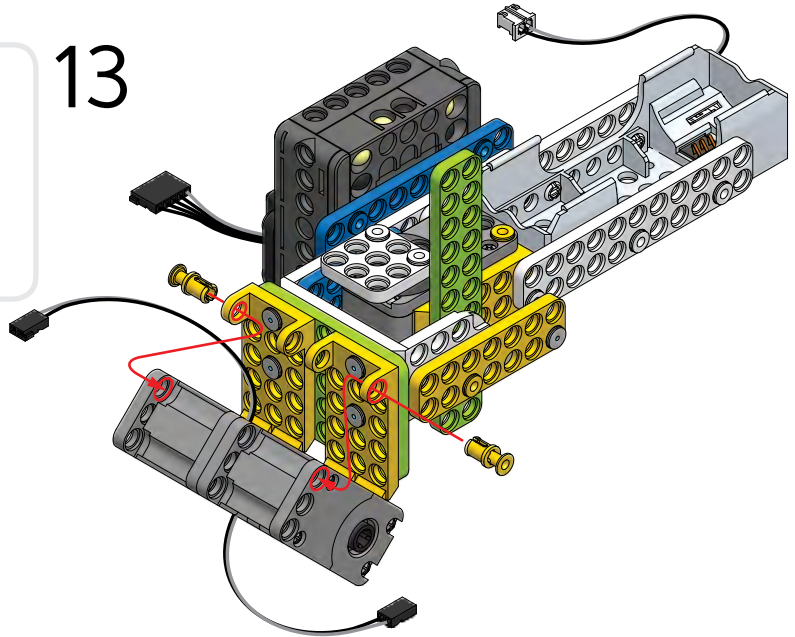




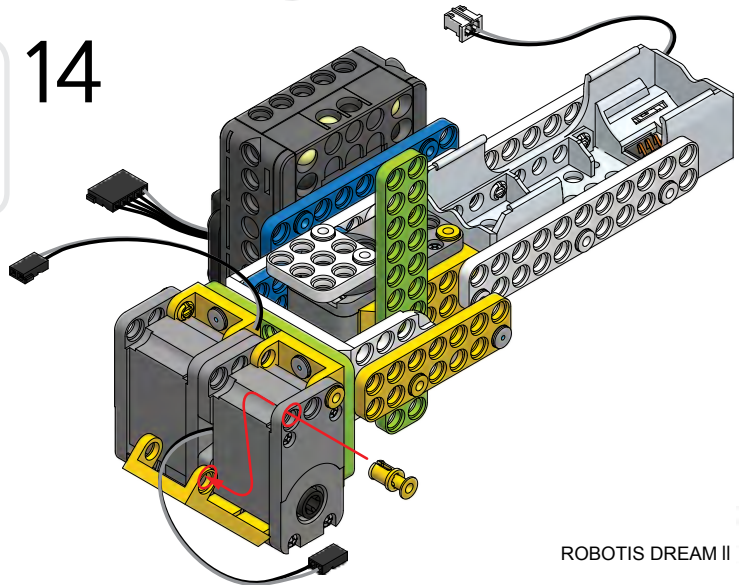
12

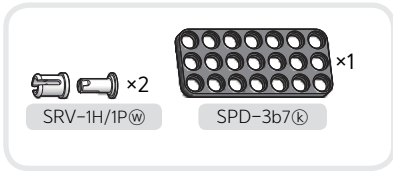


13

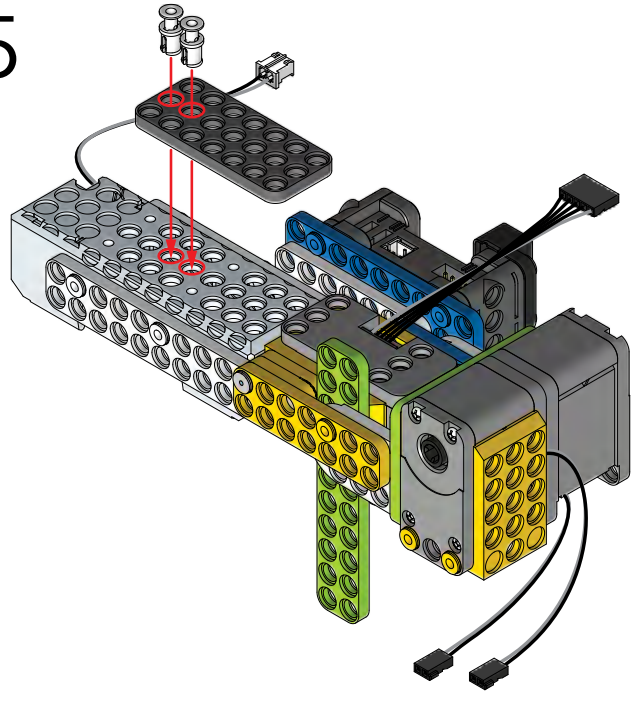


14

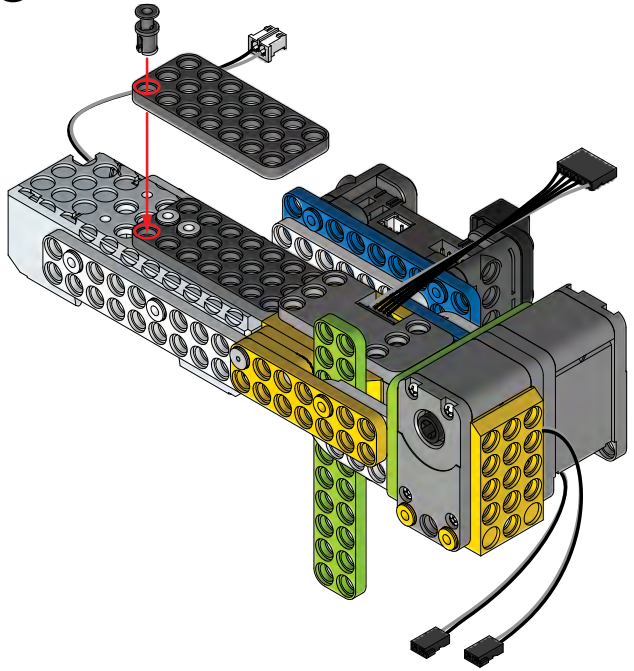


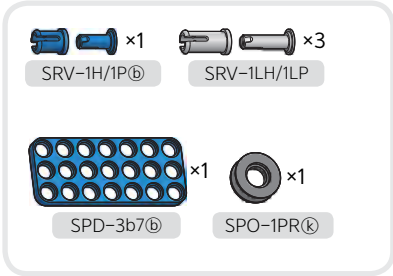


15

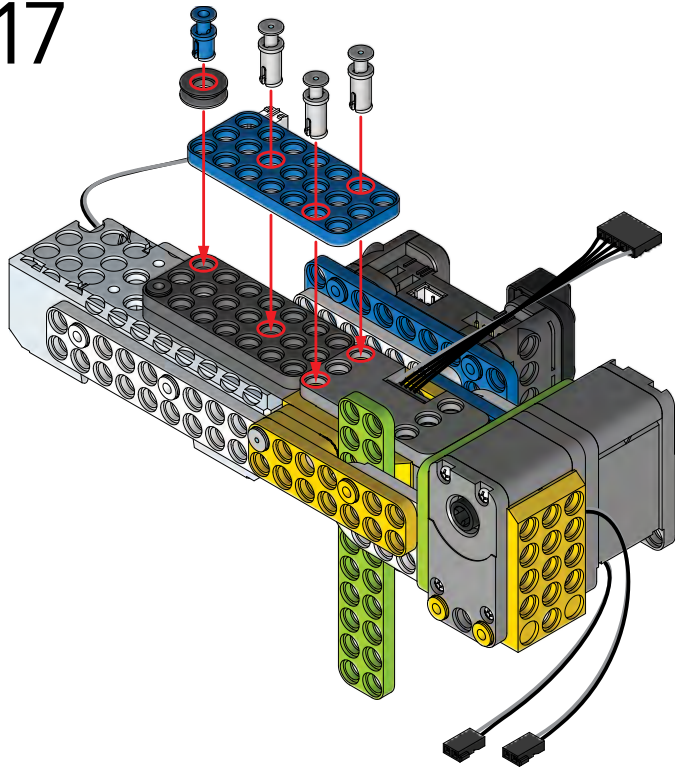


16

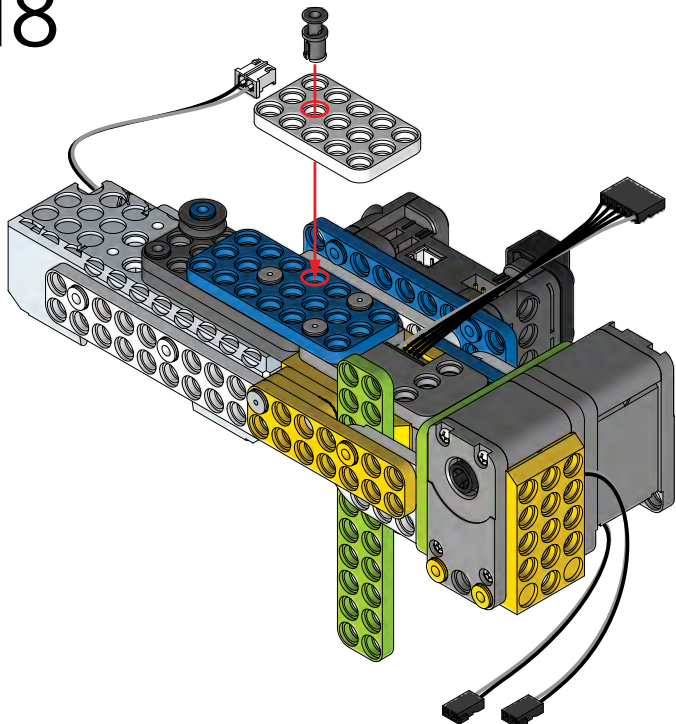




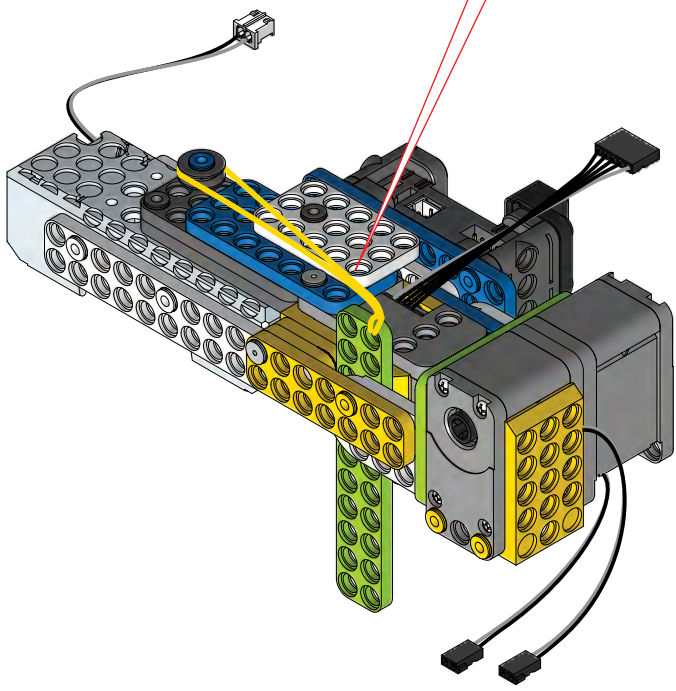
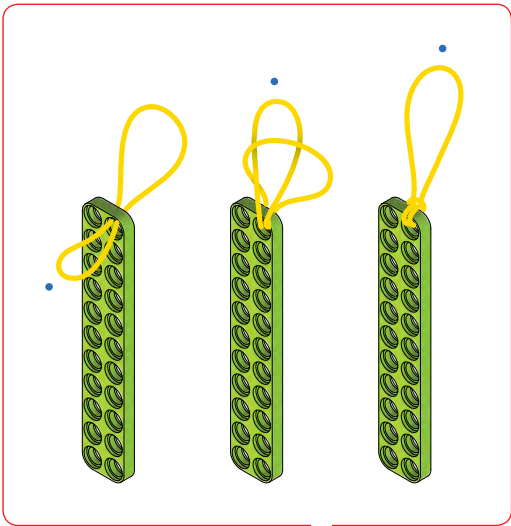
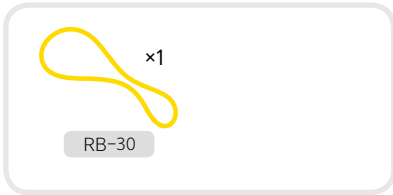
17



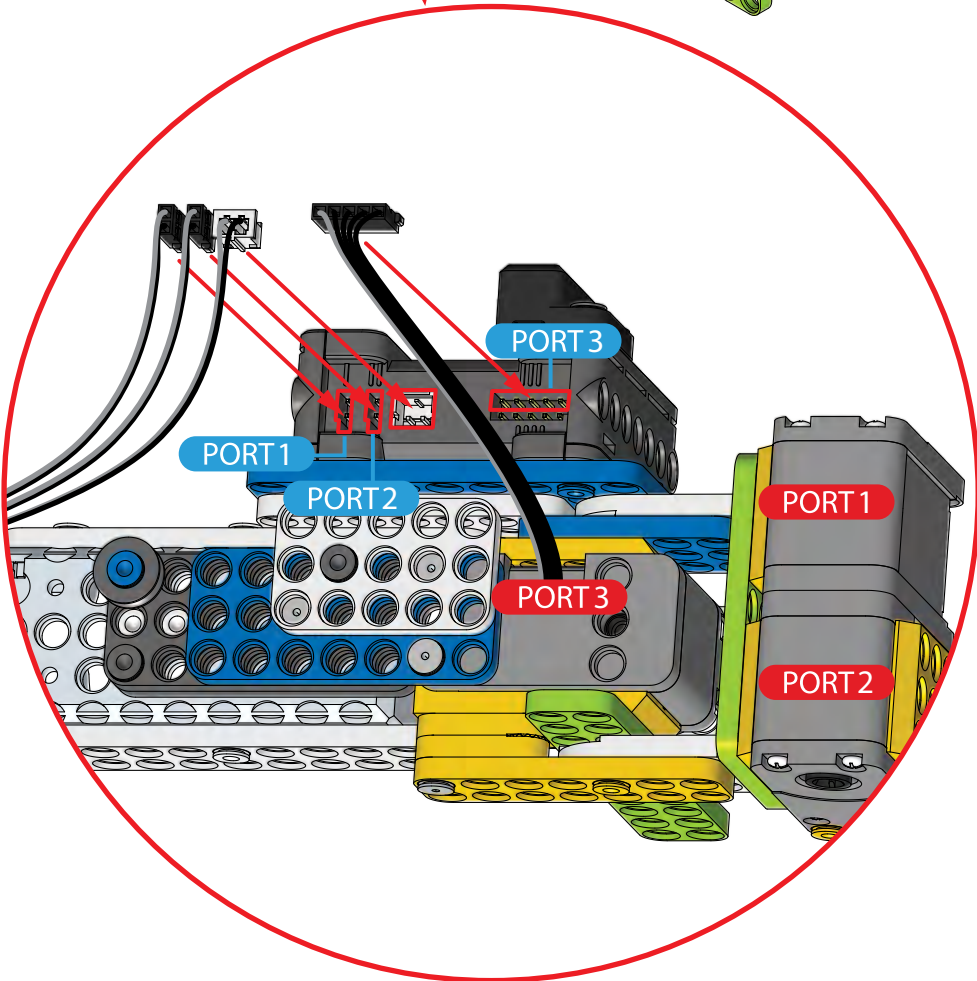
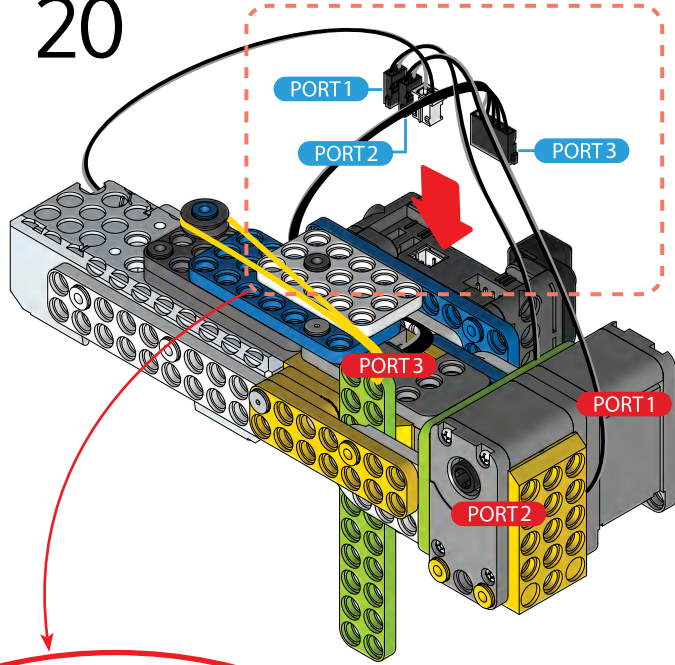
18

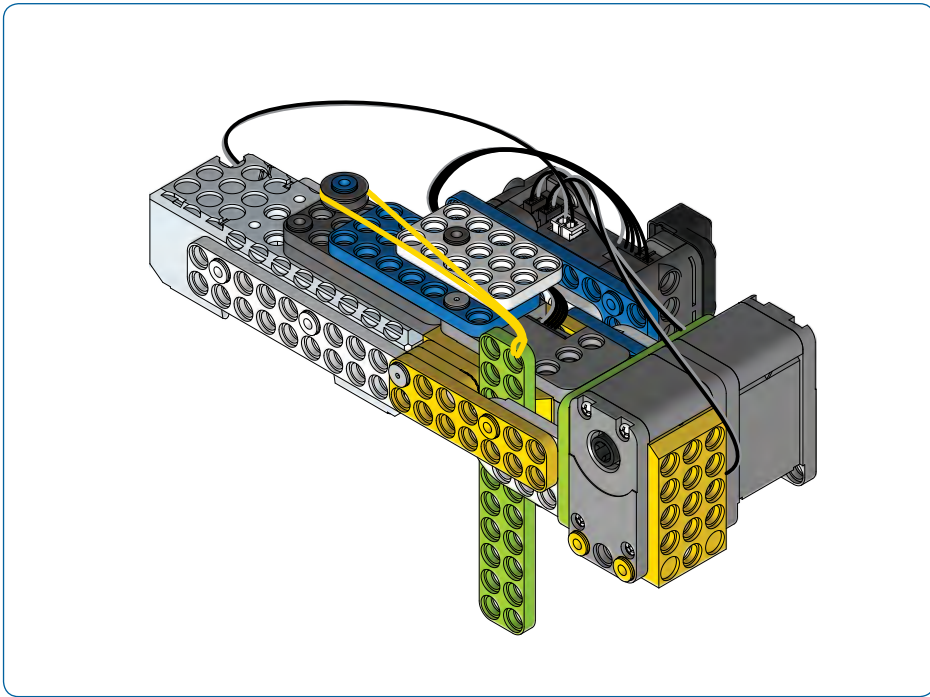


19






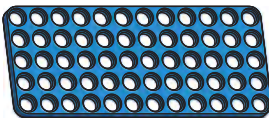


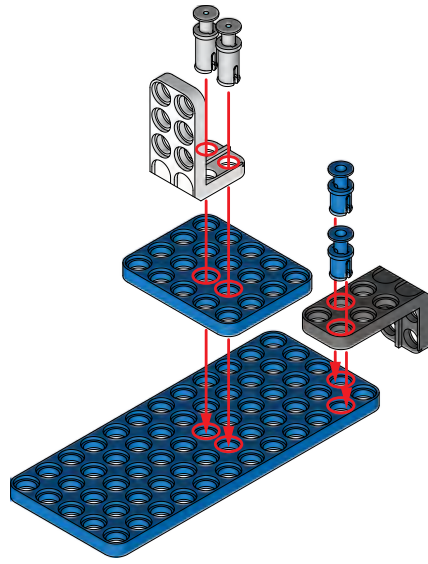
20





21

-  ×2  ×2
 SRV-1H/1PⓅ SRV-1LH/1LP
-  ×1  ×1
 SPL-2b3Ⓚ SPL-2b3Ⓞ
-  ×1
 SPD-4b5Ⓟ
-  ×1
 SPD-5b12Ⓟ

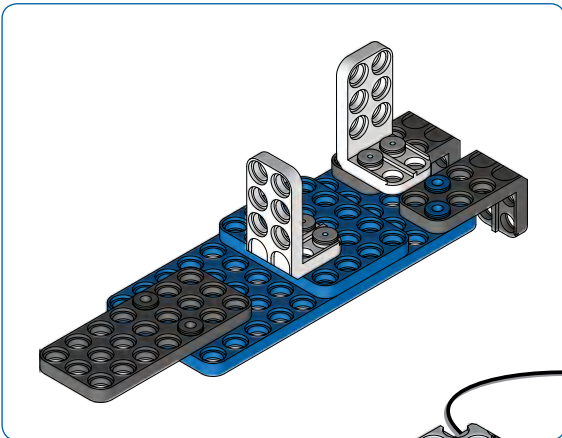
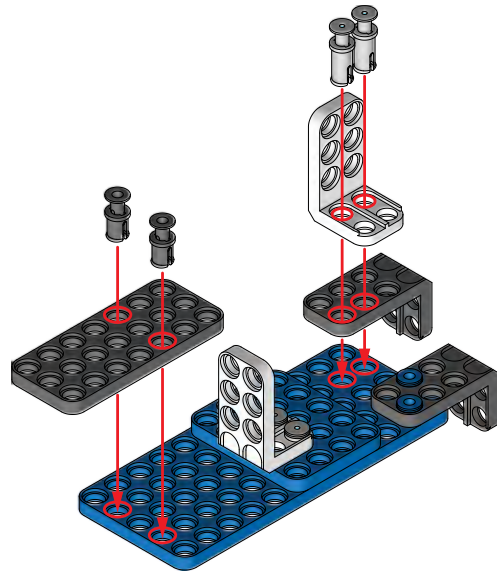


22

SRV-1H/1P(k) ×2 SRV-1LH/1LP ×2

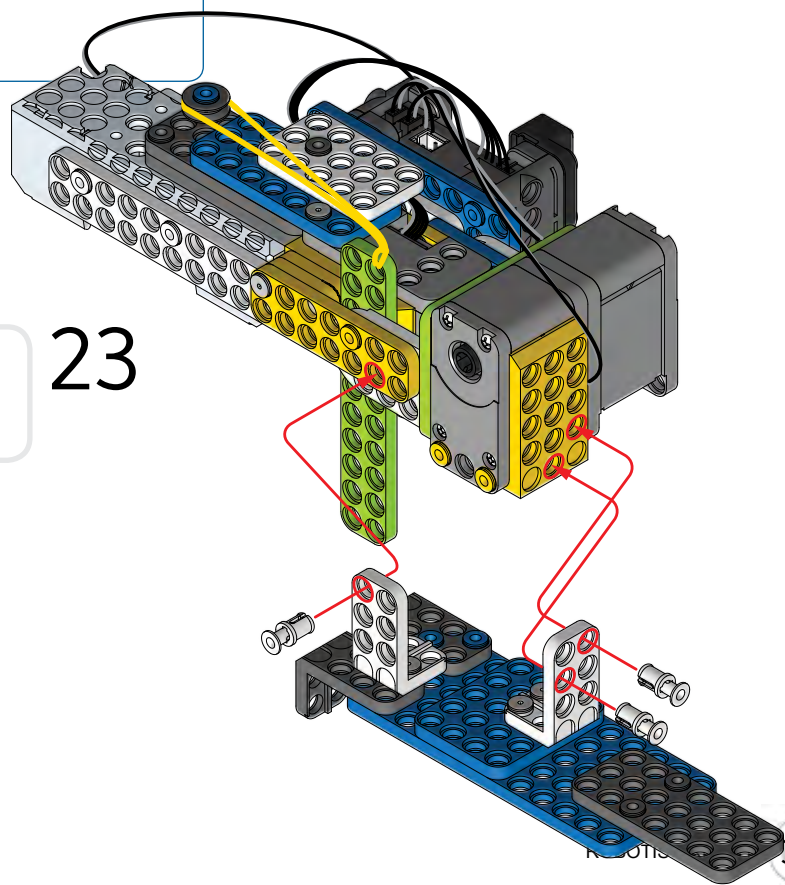
SPL-2b3(k) ×1 SPL-2b3(w) ×1

SPD-3b7(k) ×1

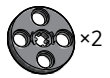


23

SRV-1H/1P(w) ×3



24



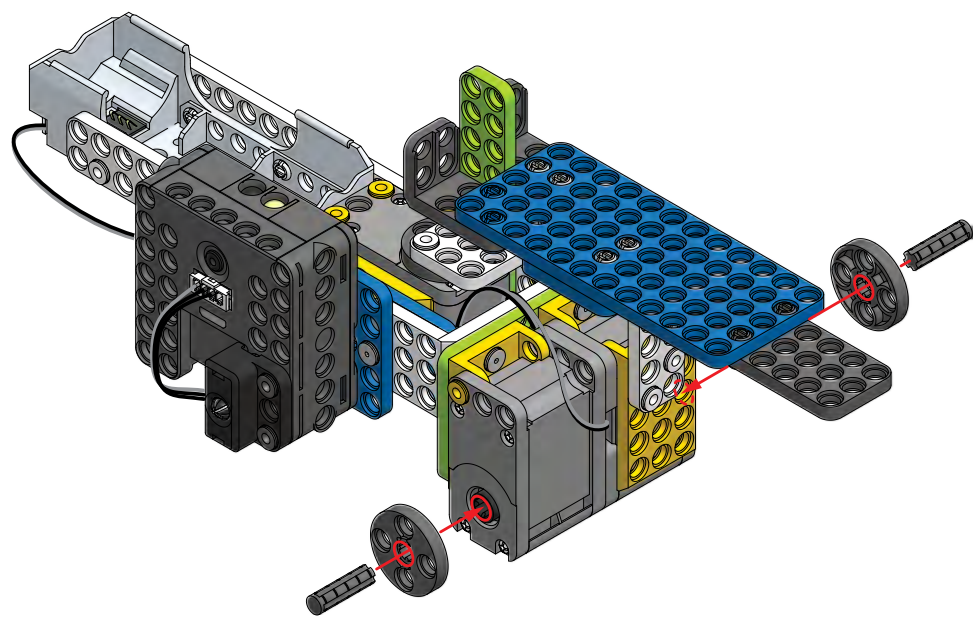
SPO-4HC

x2



SI-15

x2

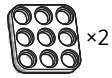


25



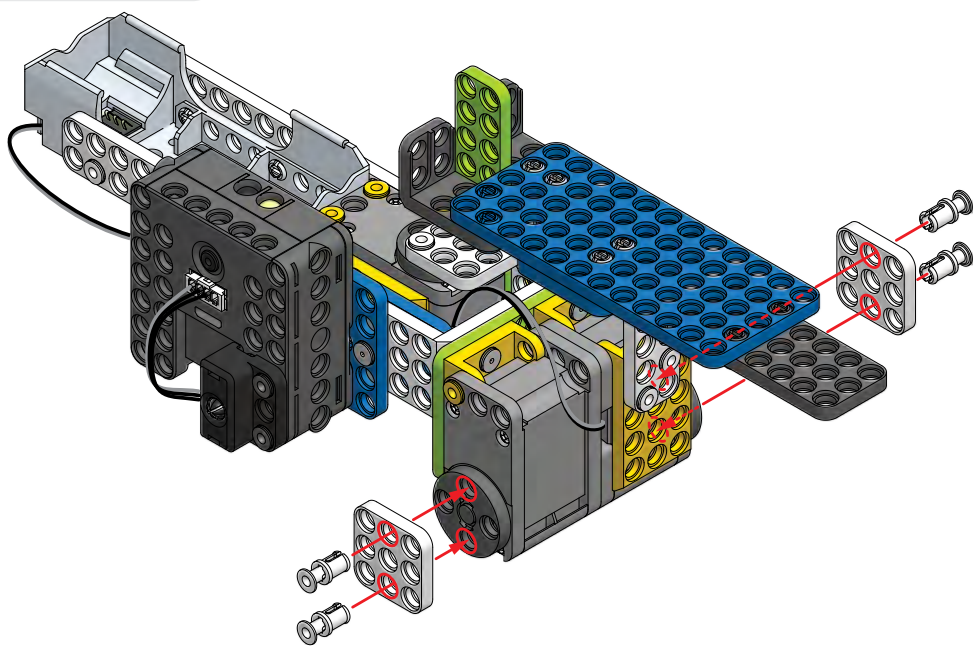
SRV-1H/1P

x4

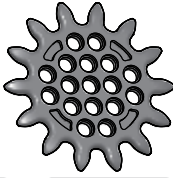


SPD-3b3

x2



26



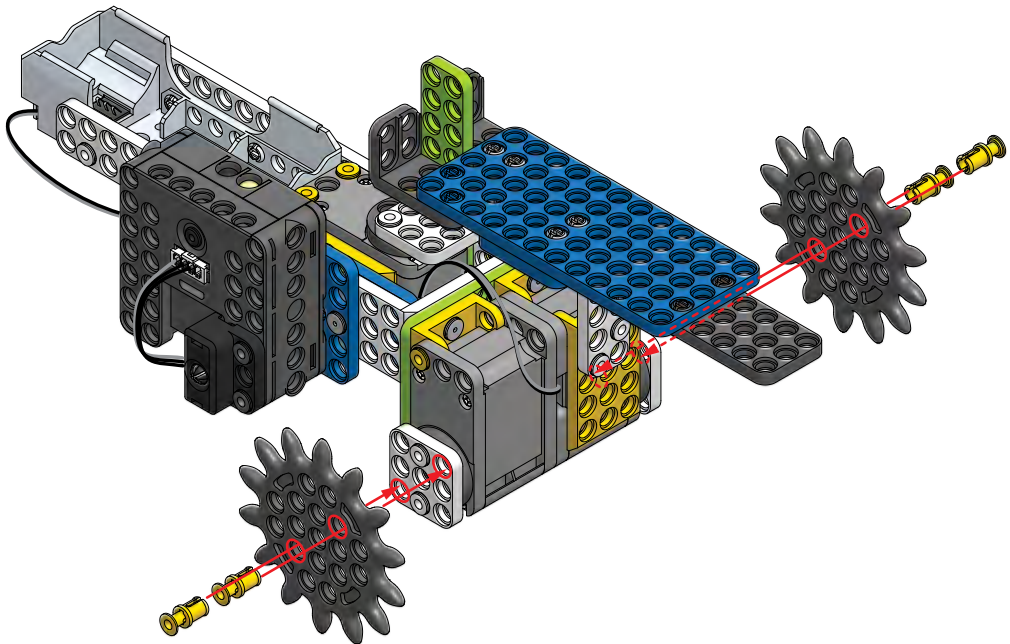
x2





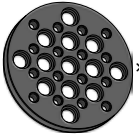

x4

SRV-1H/1P(V)

SPS-17(B)



27

- 
×4
SRV-1LH/1LP
- 
×2
- 
×2
PO-5b5Ⓚ
- 
×1
LB-041

