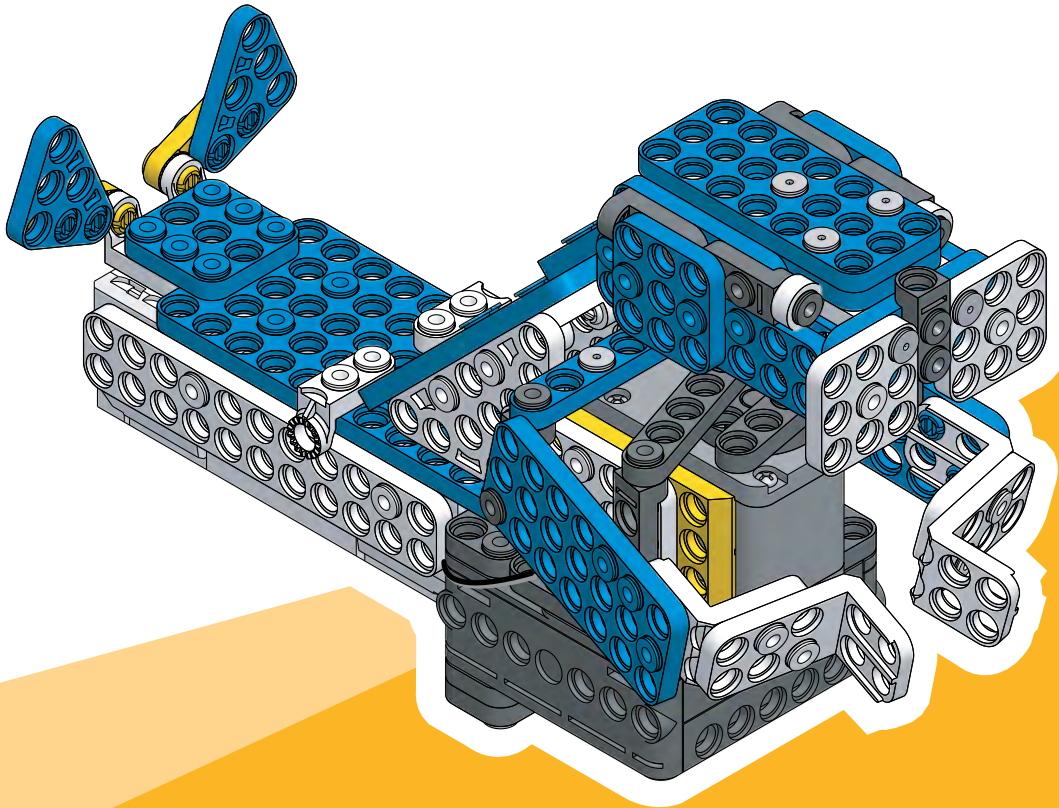


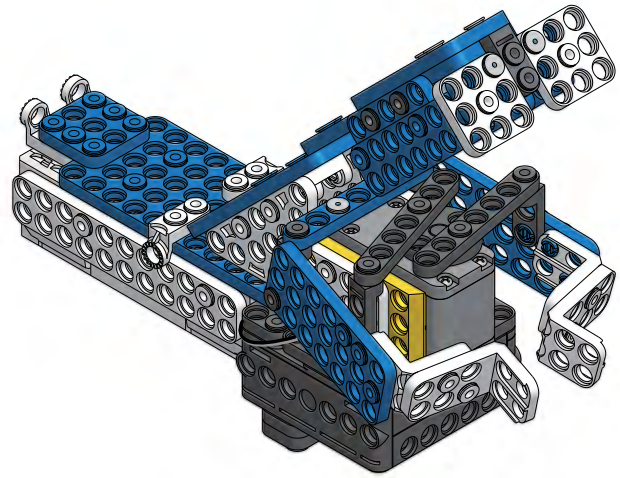


# Clapping Seal

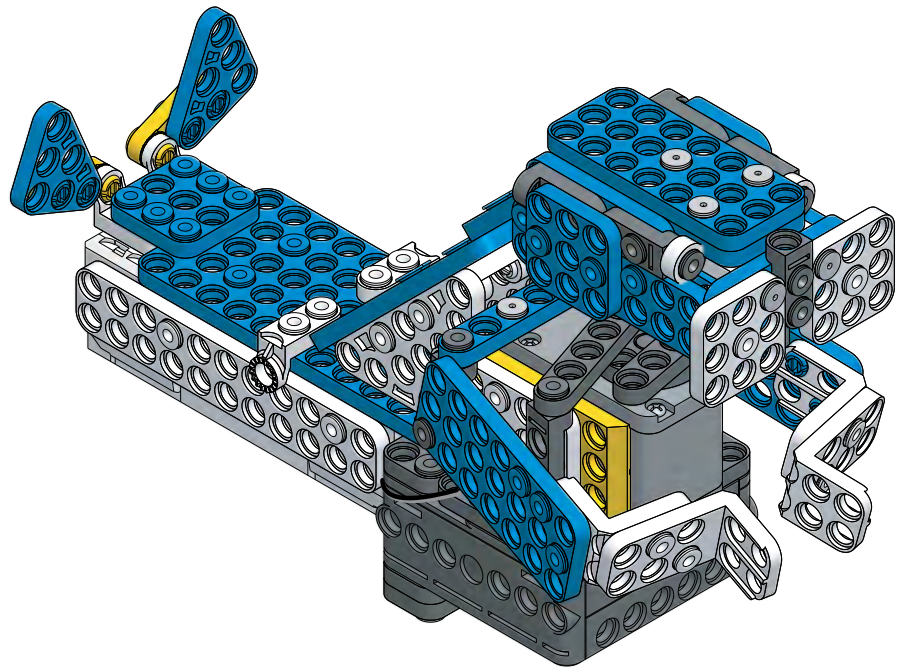


# Let's build!

Let's build a robot.



Below is the final image of the robot when you are done with assembling the "My Own Robot" step.

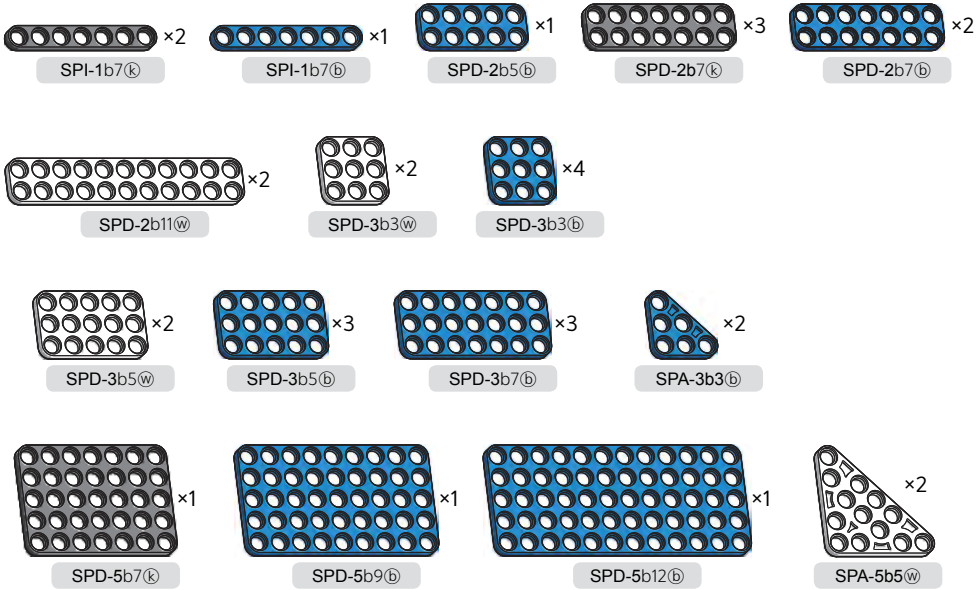


## You will require the following parts.

### Rivet



### Plate



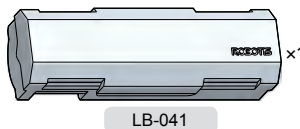
### Geared motor



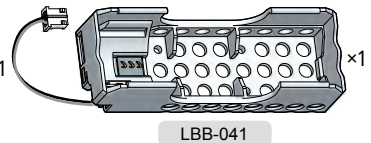
### Controller



### Battery



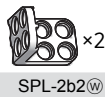
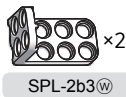
### Battery box



### Cross horn



### Bracket



### Pulley



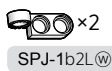
### Spindle



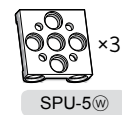
### Spacer



### Joint



### Adaptor

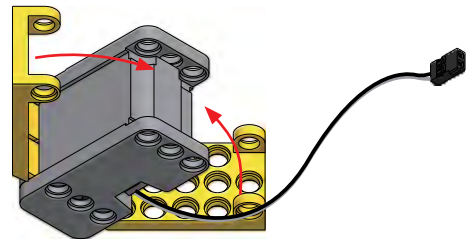


- Parts and color of the products might be different from the images of the assembly manual.

## Building a Seal Robot

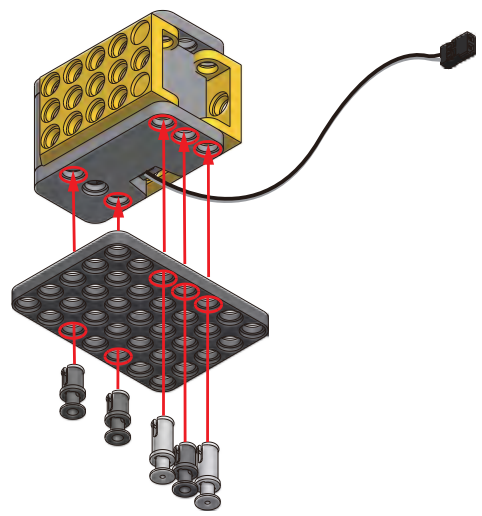
**1**

GM x1  
SPY-3b4 (Y) x2



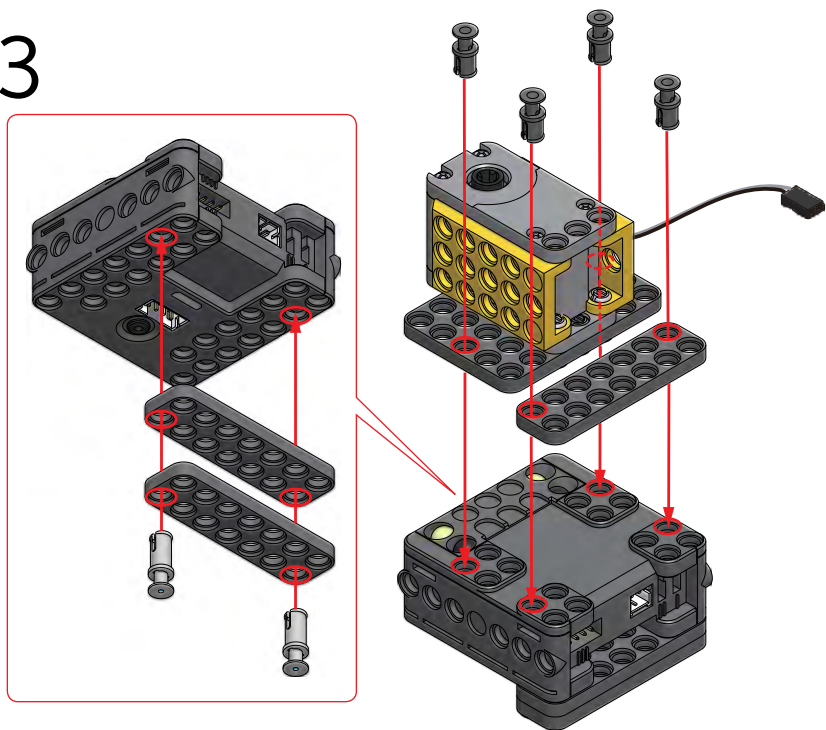
**2**

SRV-1H/1P (K) x3  
SRV-1LH/1LP x2  
SPD-5b7 (K) x1

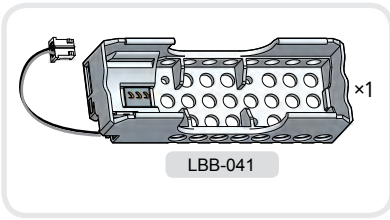


**3**

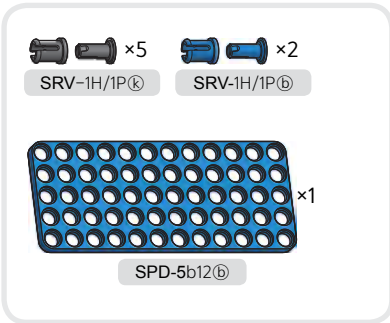
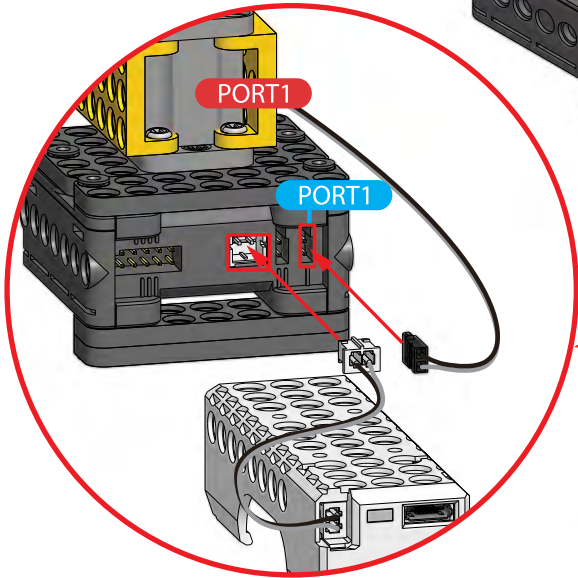
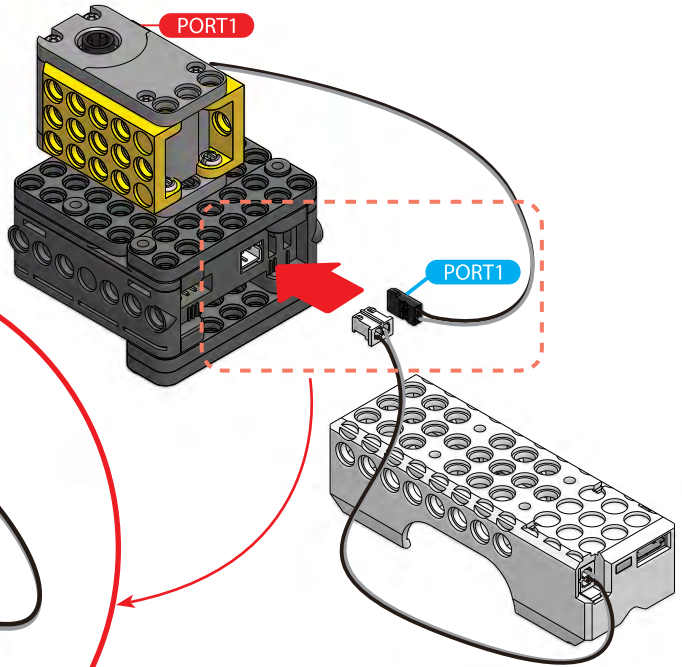
SRV-1H/1P (K) x4  
SRV-1LH/1LP x2  
SPD-2b7 (K) x3  
CM-150 x1



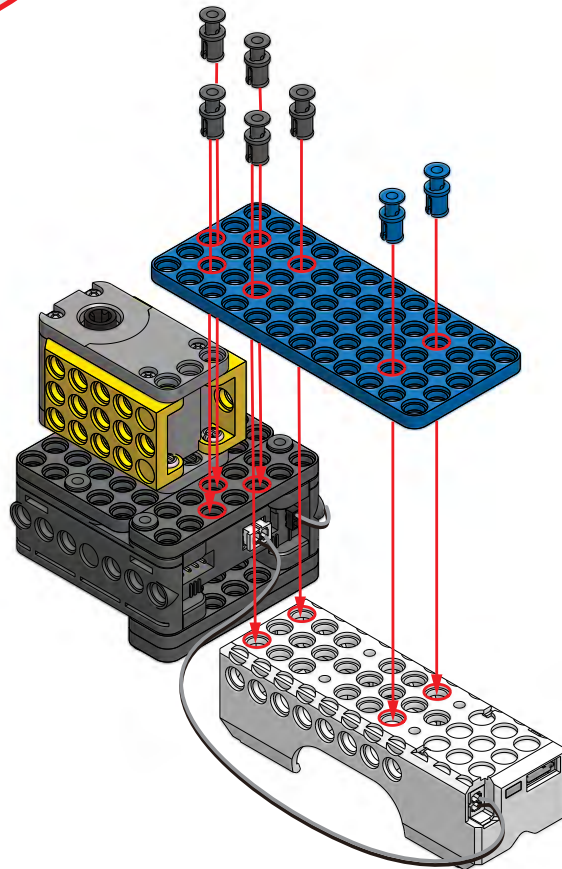



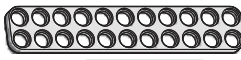


4

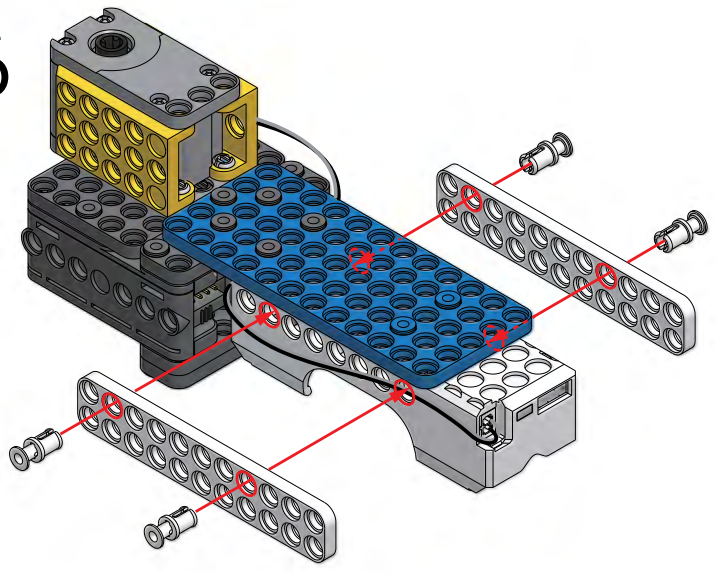







5



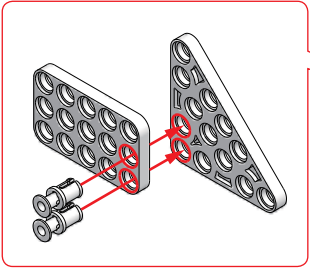
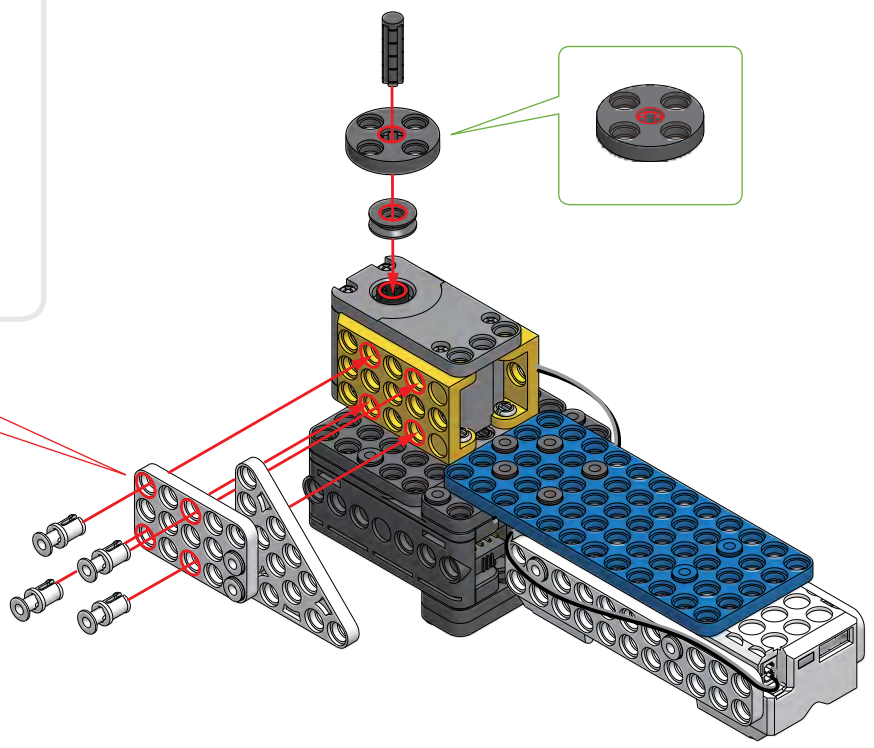
- 
 ×4  
 SRV-1H/1P (W)
- 
 ×2  
 SPD-2b11 (G)

# 6





- 
 ×6
- 
 ×1  
 SI-15 (K)
- 
 ×1  
 SPO-4HC (K)
- 
 ×1  
 SPO-1PR (K)
- 
 ×1  
 SPD-3b5 (W)
- 
 ×1  
 SPA-5b5 (W)

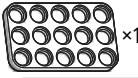
# 7

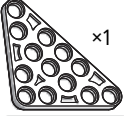


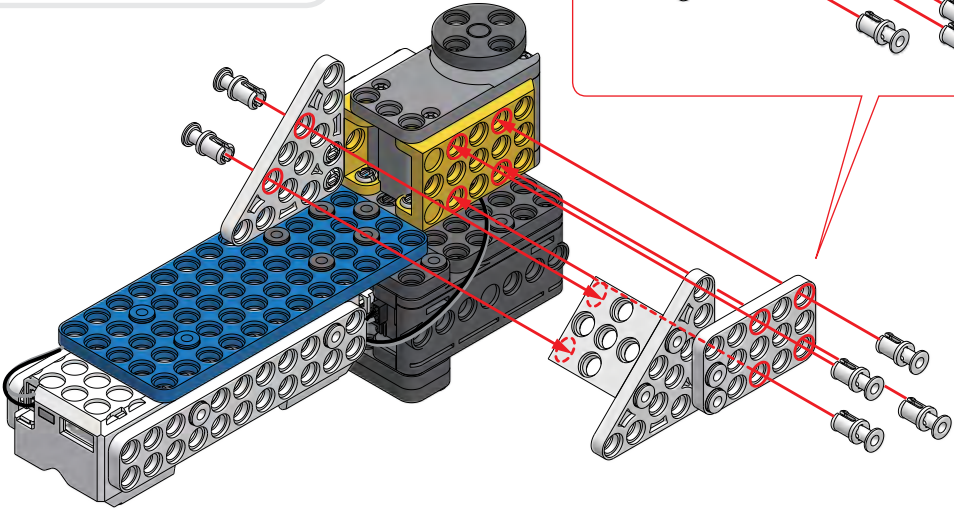
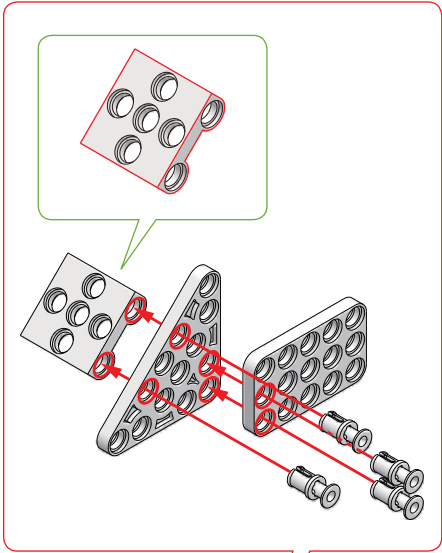
8

 x10  
**SRV-1H/1P**


 x1  
**SPU-5**


 x1  
**SPD-3b5**


 x1  
**SPA-5b5**




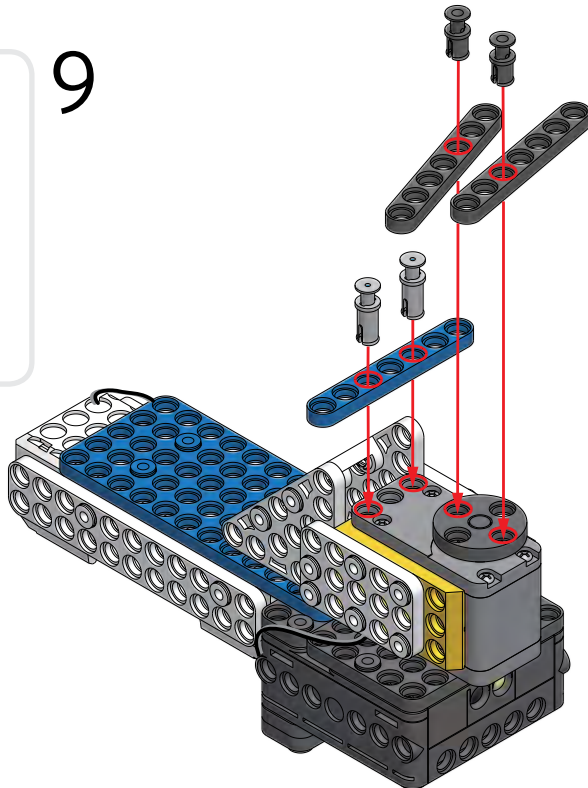
9

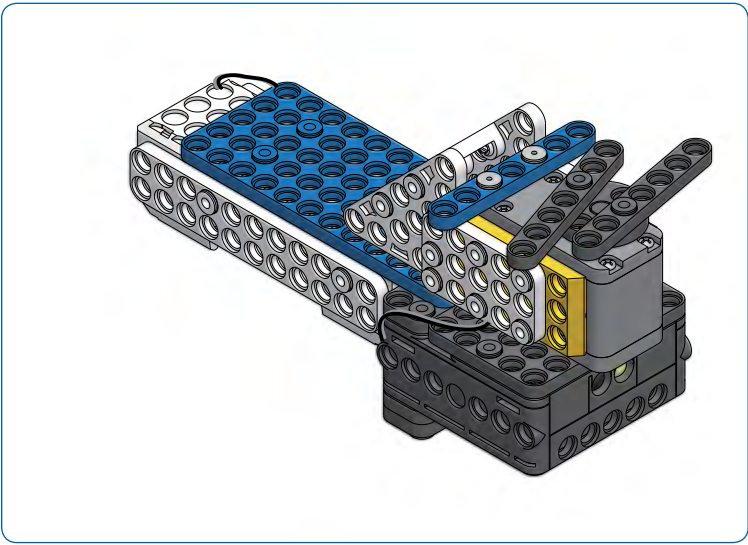
 x2  
**SRV-1H/1P**

 x2  
**SRV-1LH/1LP**








 x2  
**SPI-1b7**

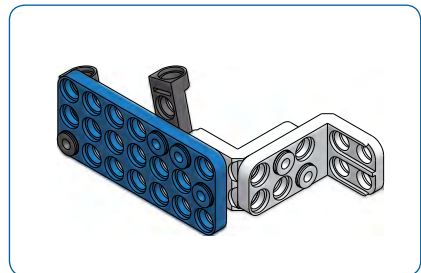
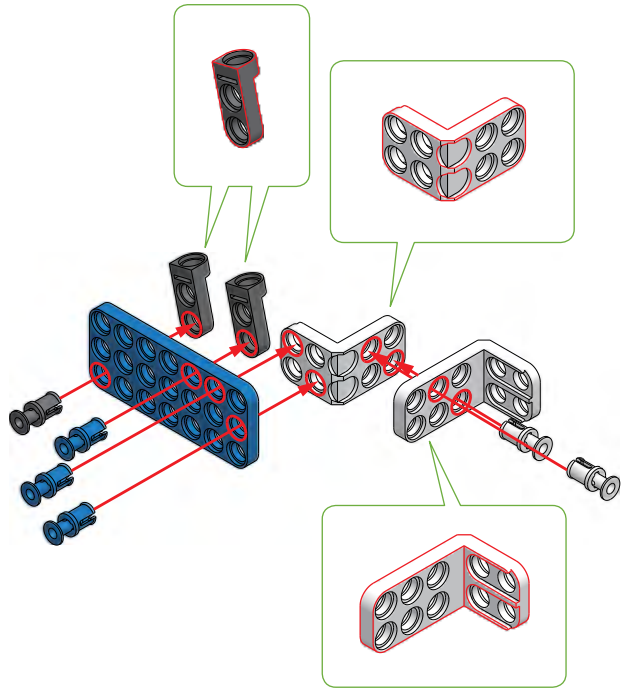
 x1  
**SPI-1b7**









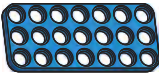


# 10

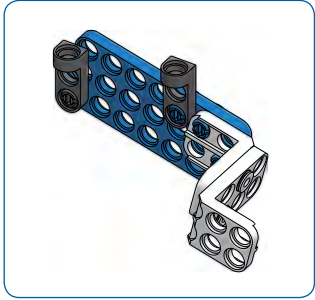
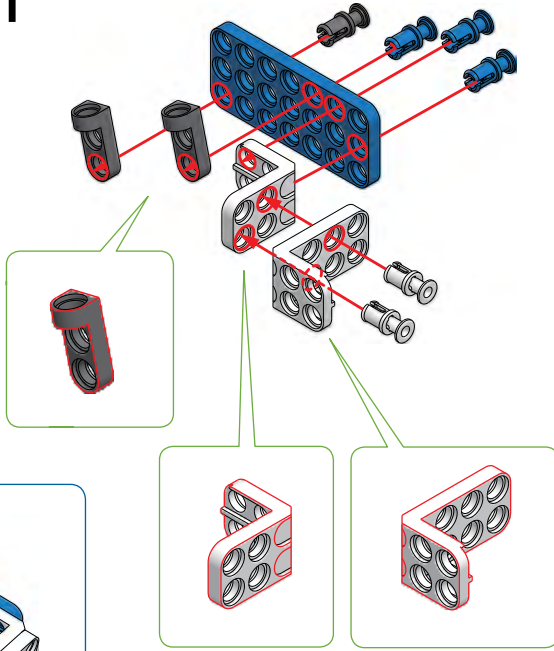
-  x2
-  x3
-  x1
-  x2
-  x1
-  x1
-  x1





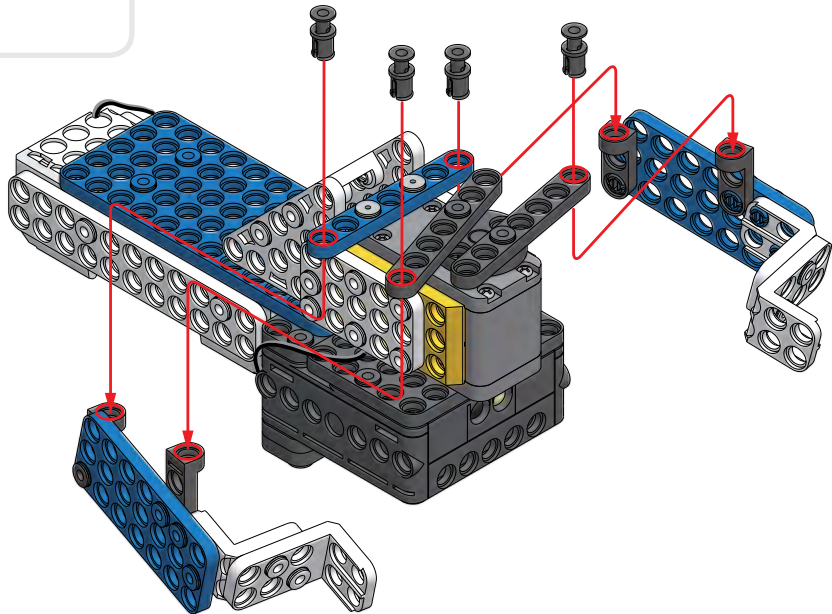
-  x2     x3
- SRV-1H/1P (w)    SRV-1H/1P (b)
  
-  x1     x2
- SRV-1H/1P (k)    SPL-1b2 (b)
  
-  x1     x1
- SPL-2b2 (w)    SPL-2b3 (w)
  
-  x1
- SPD-3b7 (b)

# 11



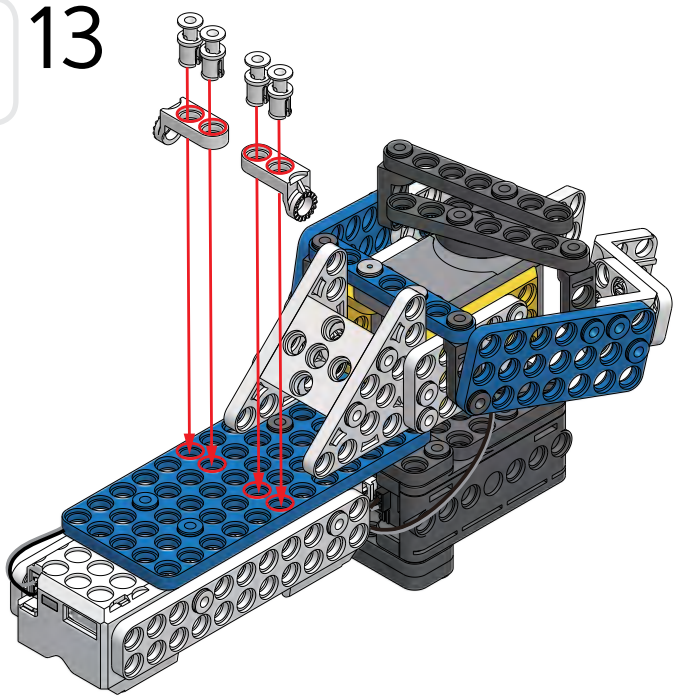
-  x4
- SRV-1H/1P (k)

# 12



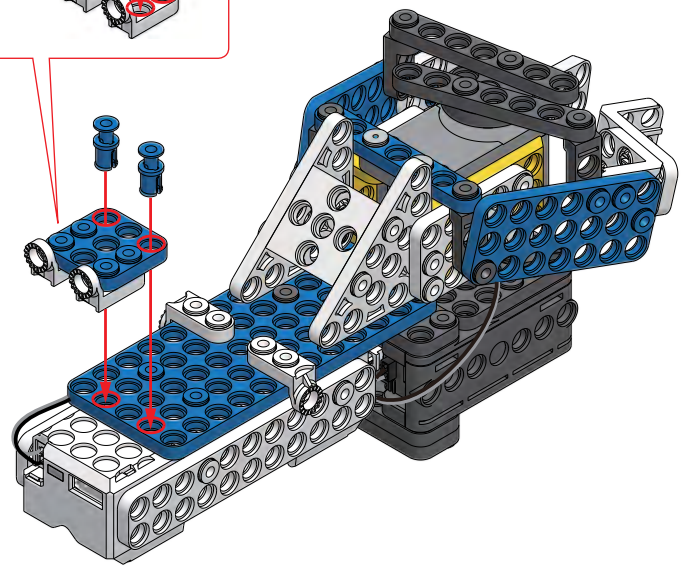
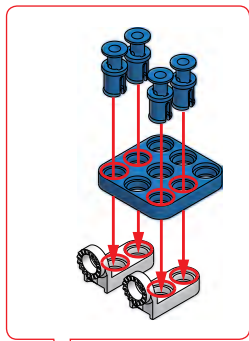
- SRV-1H/1P (W) x4
- SPJ-1b2P (W) x2

13



- SRV-1H/1P (B) x6
- SPJ-1b2P (W) x2
- SPD-3b3 (B) x1

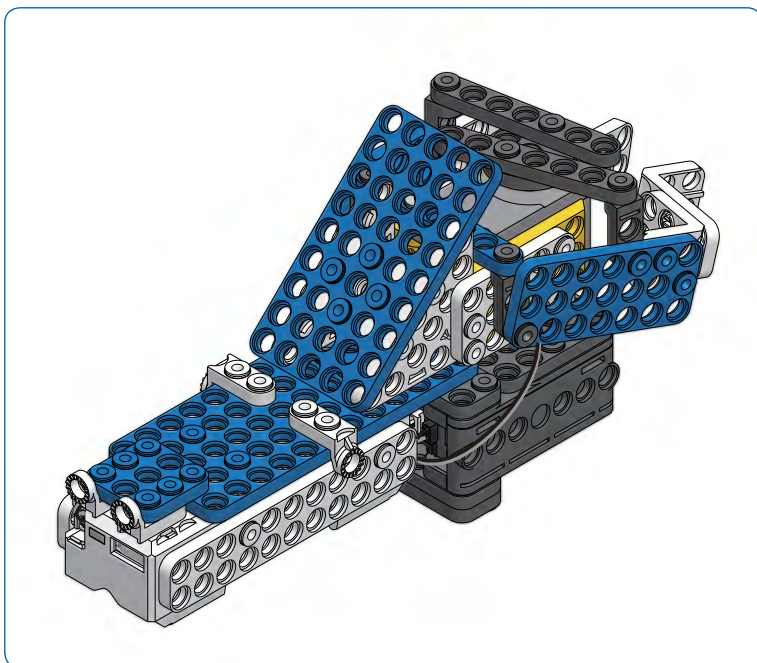
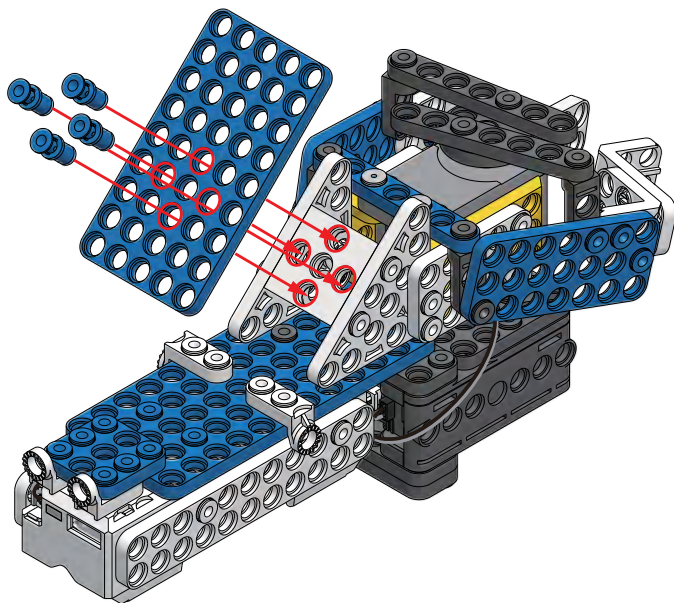
14




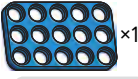



SRV-1H/1P ⑥ ×4

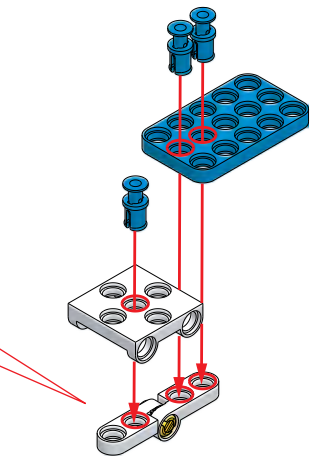
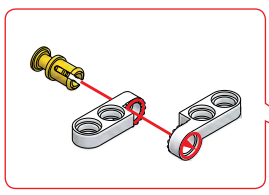
SPD-5b9 ⑥ ×1


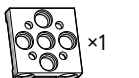
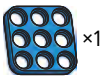

15



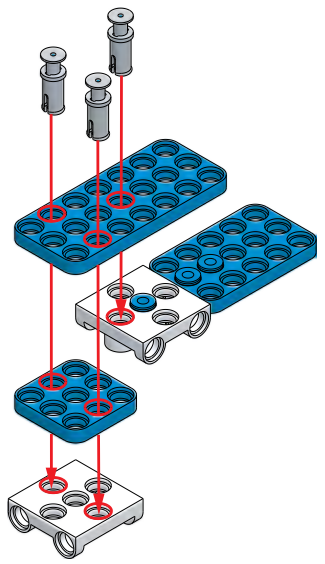
-  
- 
-  



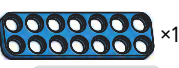

# 16



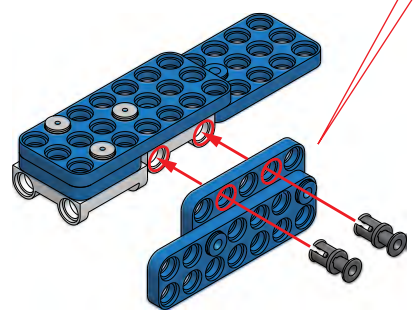
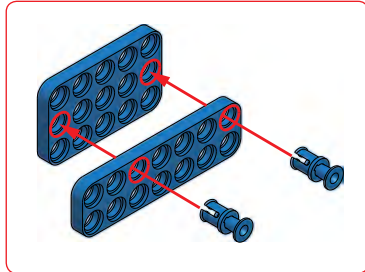
-  
-  

# 17



-  
-  

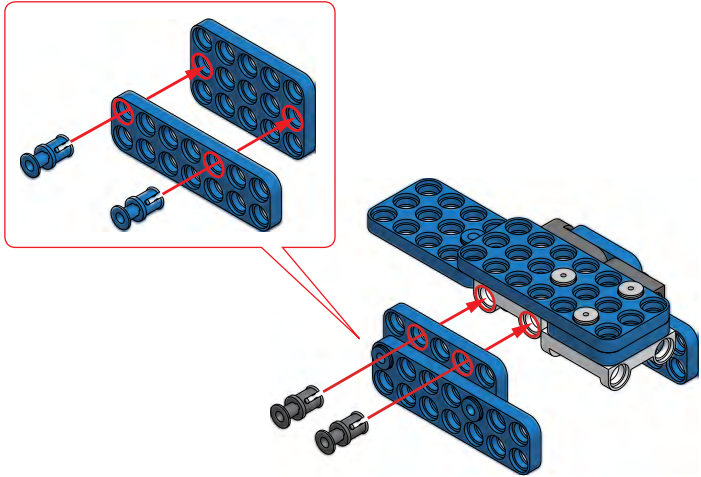
# 18





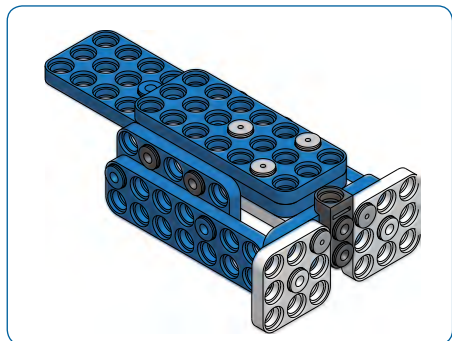
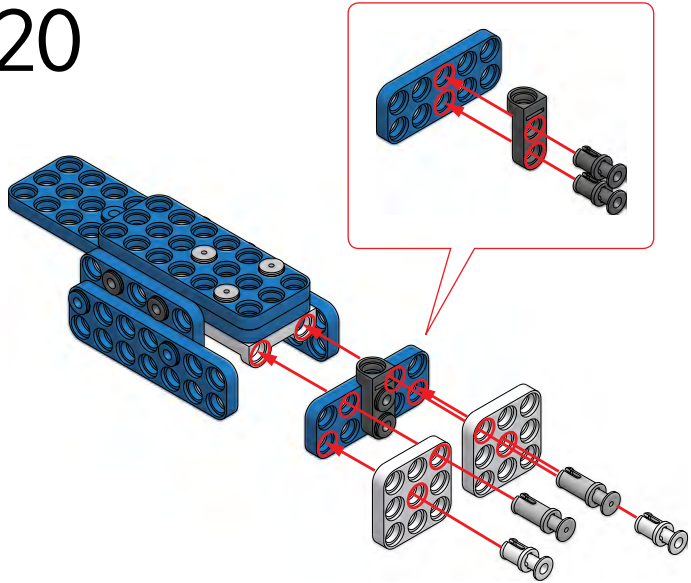
# 19

SRV-1H/1P (b)	SRV-1H/1P (k)
SPD-2b7 (b)	SPD-3b5 (b)



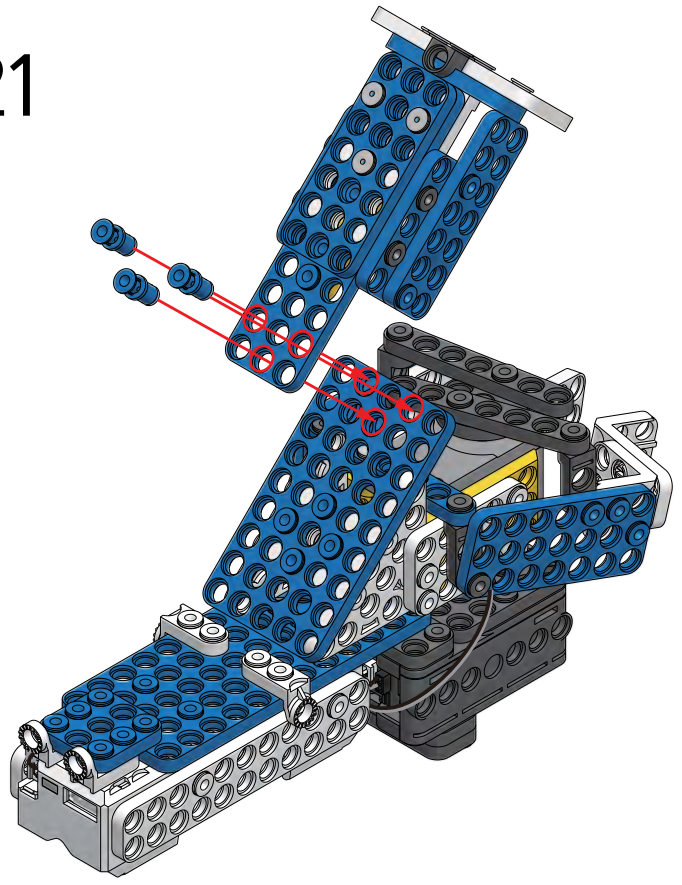
# 20


SRV-1H/1P (w)	SRV-1LH/1LP
SRV-1H/1P (k)	SPL-1b2 (k)
SPD-2b5 (b)	SPD-3b3 (w)



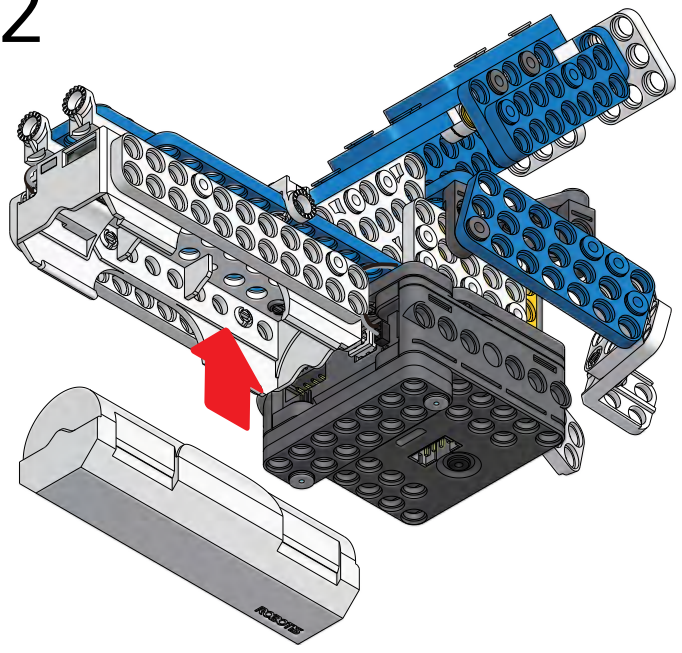
 x3  
SRV-1H/1P6

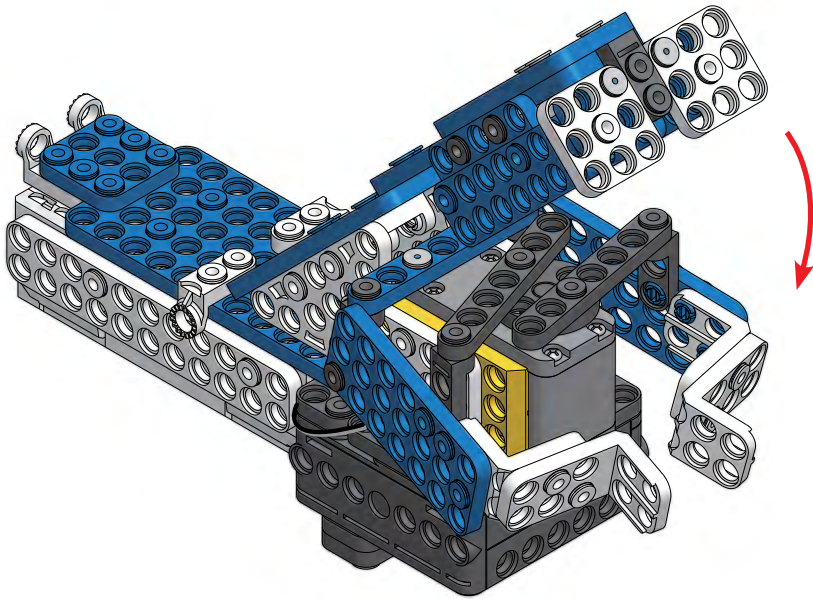
21

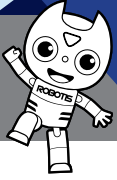


 x1  
LB-041

22







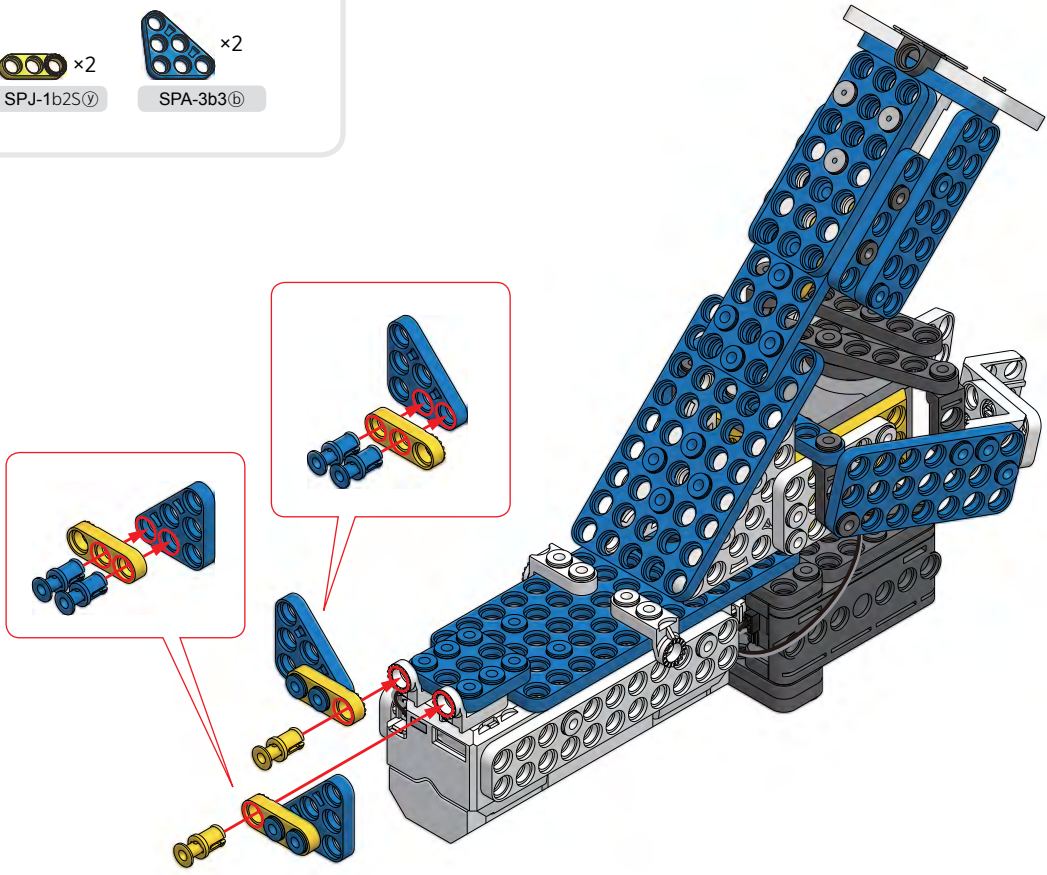
# My Own Robot!

Customize the appearance to make your own unique robot.

# 1

- SRV-1H/1P (blue) ×4
- SRV-1H/1P (yellow) ×2

- SPJ-1b2S (yellow) ×2
- SPA-3b3 (blue) ×2



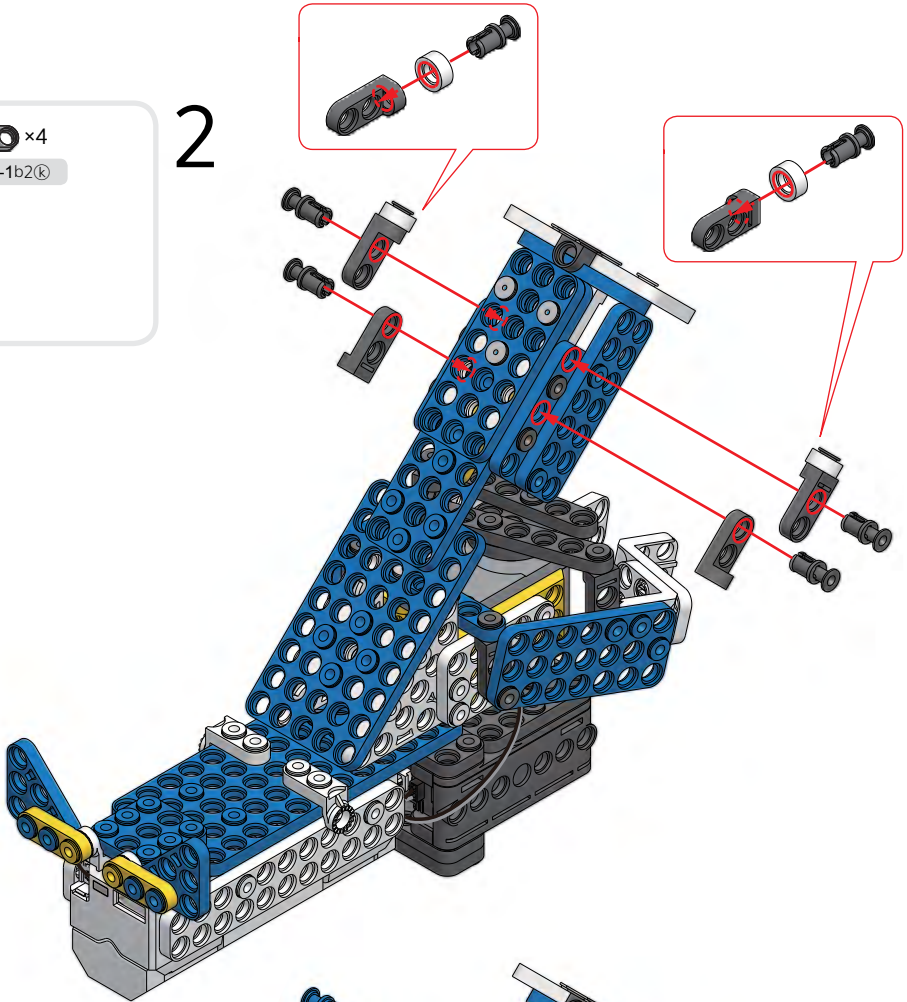


 x6  
SRV-1H/1P

 x4  
SPL-1b2

 x2  
SPO-1A

2



 x4  
SRV-1H/1P

 x2  
SPD-3b3

3

