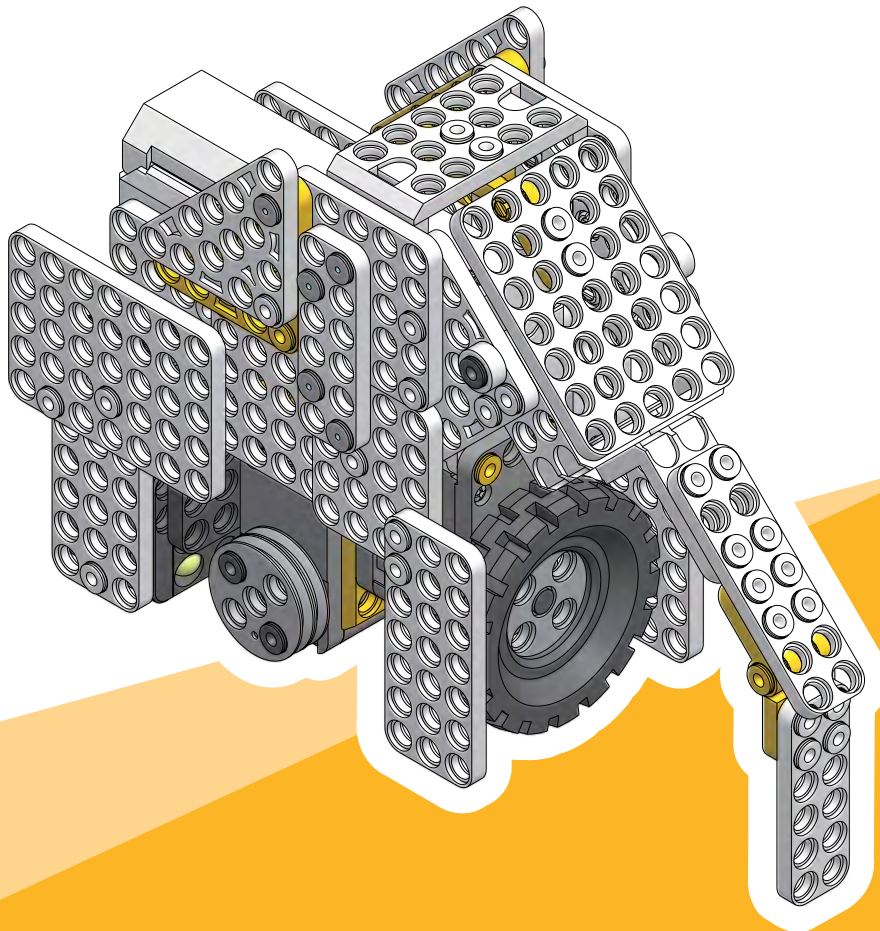


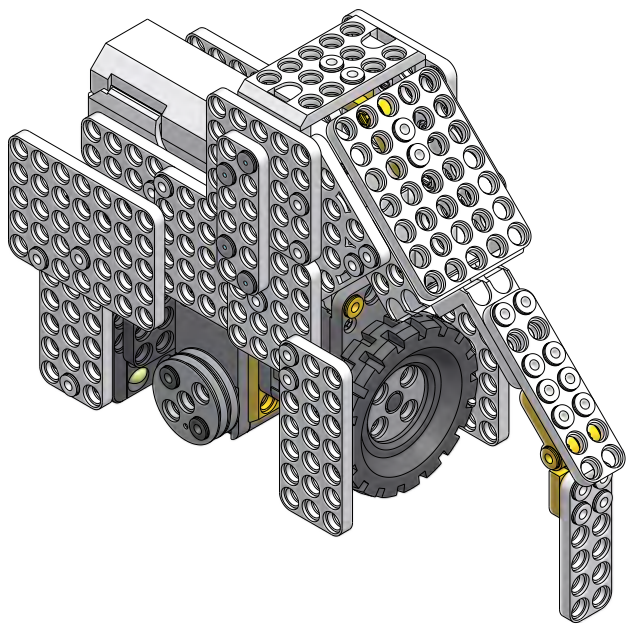


Elephant

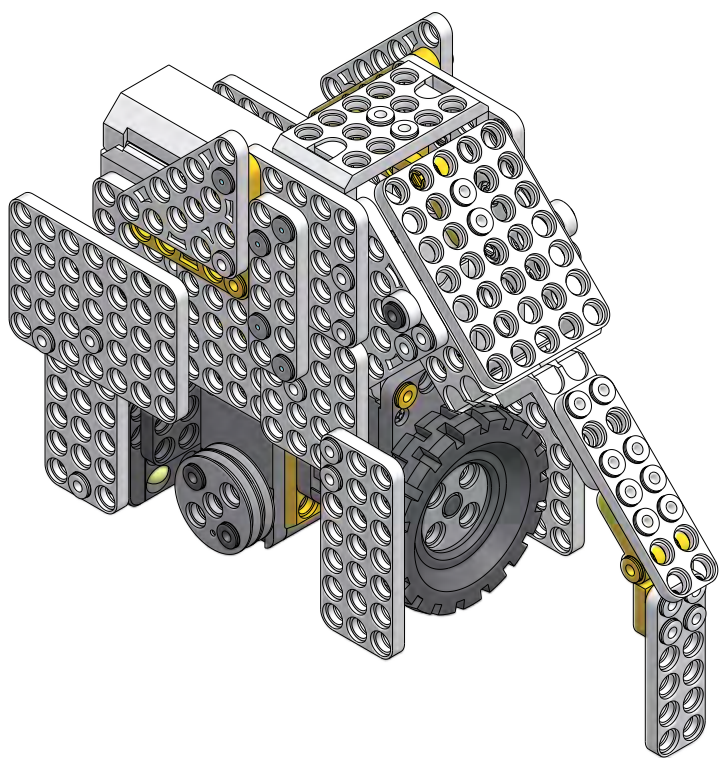


Let's build!

Let's build a robot.



Below is the final image of the robot when you are done with assembling the "My Own Robot" step.

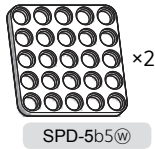
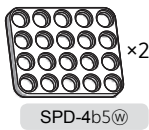
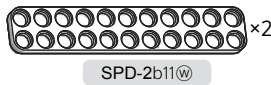
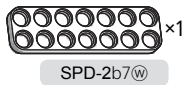
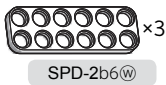


You will require the following parts.

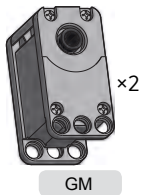
Rivet



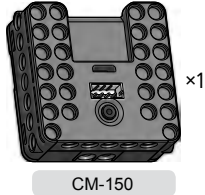
Plate



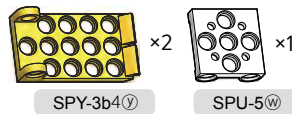
Geared motor



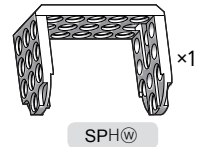
Controller



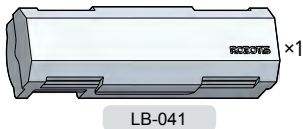
Adaptor



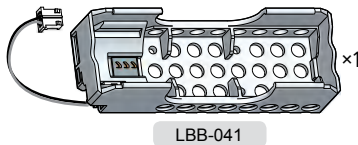
Hinge



Battery



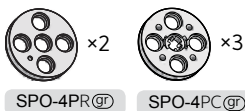
Battery box



Tire



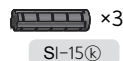
Pulley



Spacer



Spindle



Joint



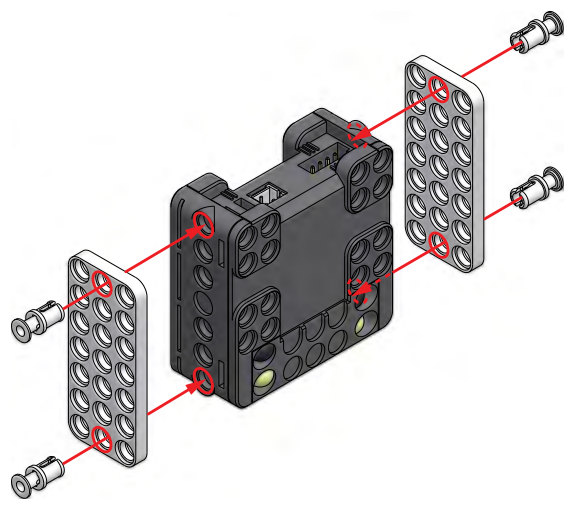
Bracket



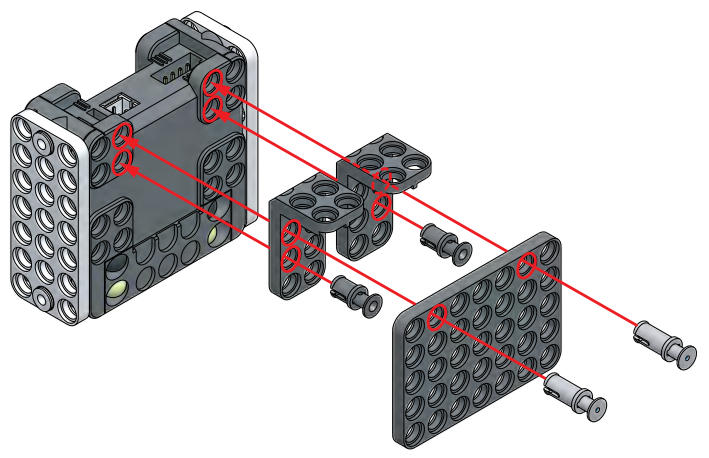
• Parts and color of the products might be different from the images of the assembly manual.

Building the Elephant Robot

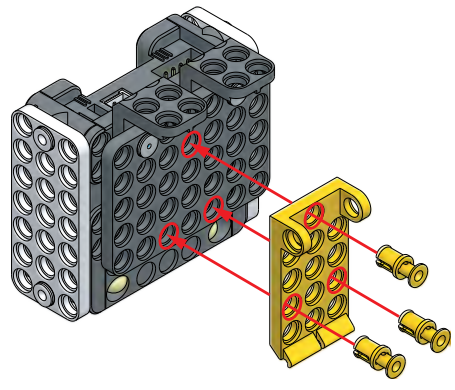
1

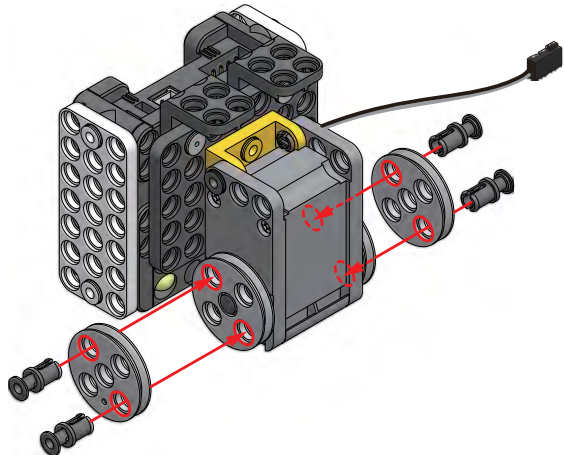
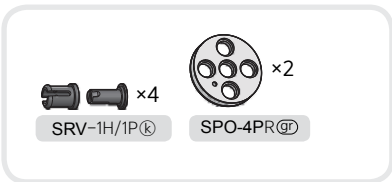
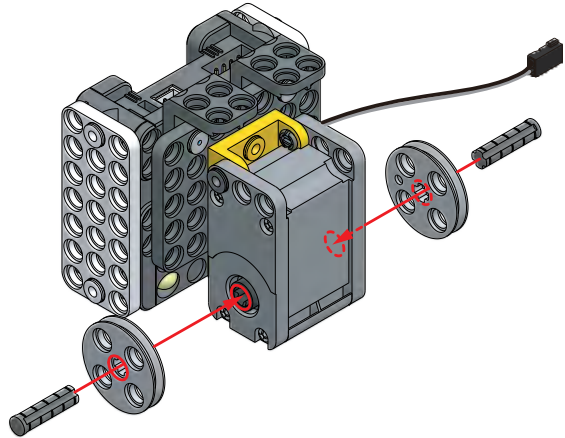
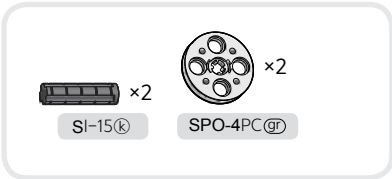
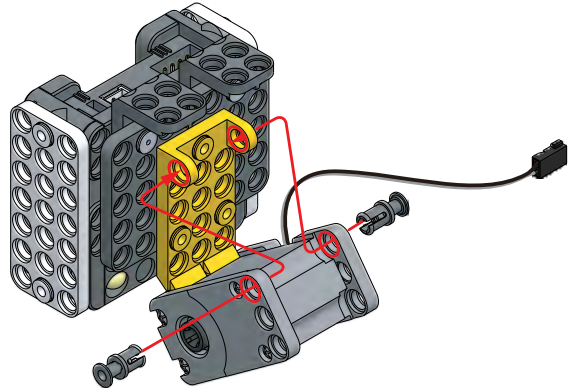
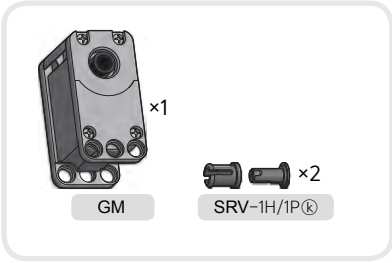


2








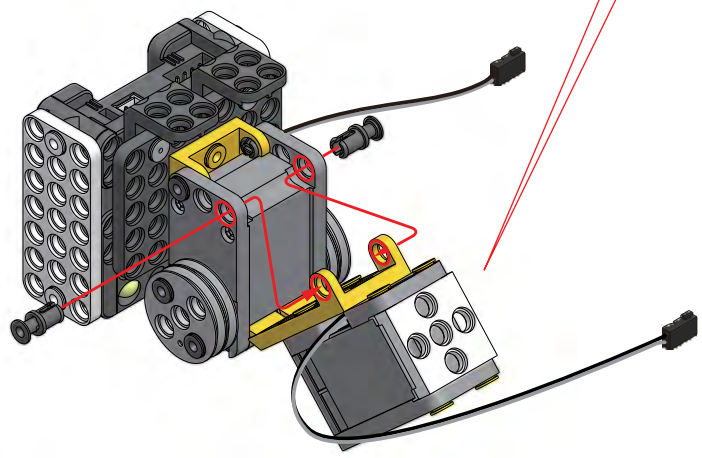
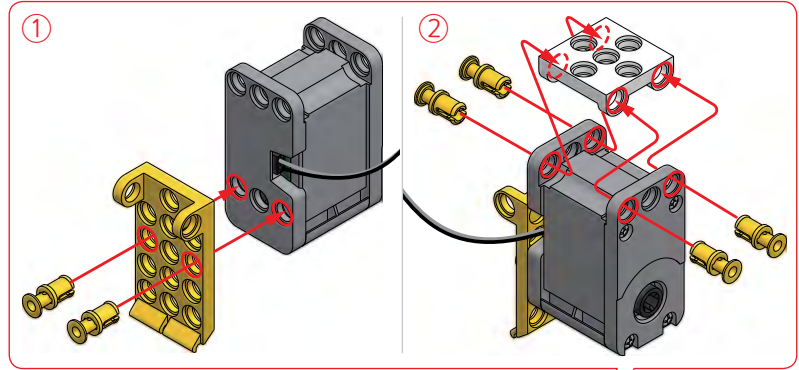
3





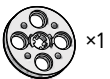



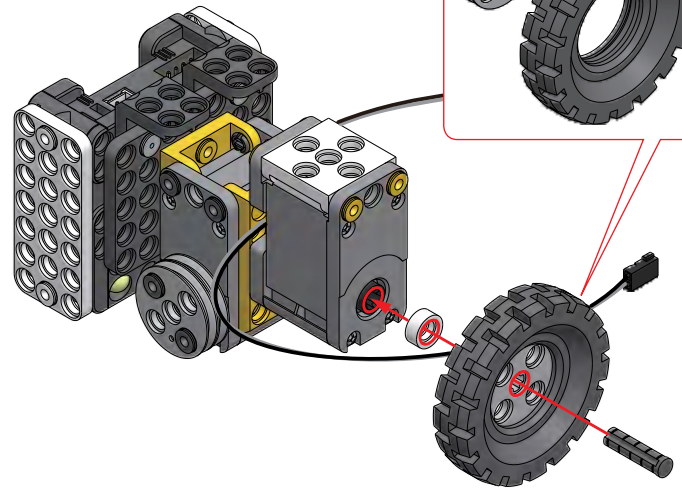
7

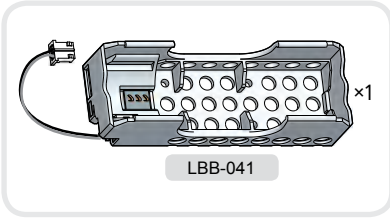
-  x6 **SRV-1H/1P**
-  x2 **SRV-1H/1P**
-  x1 **SPU-5**
-  x1 **SPY-3b4**
-  x1 **GM**



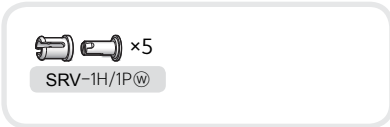
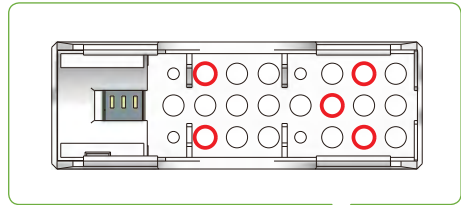
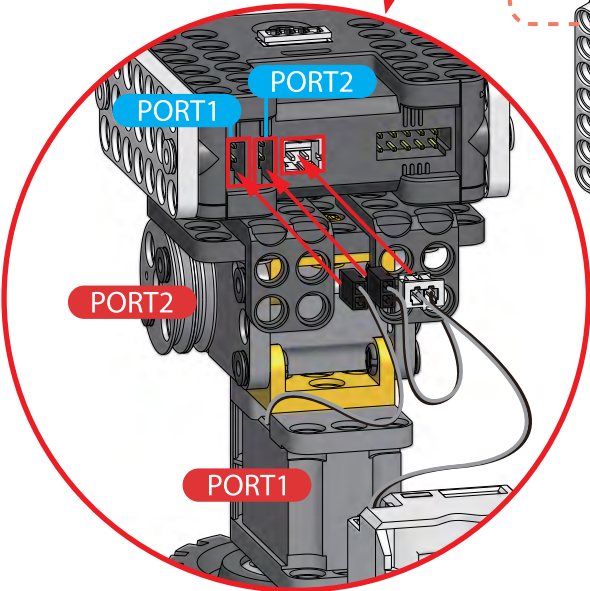
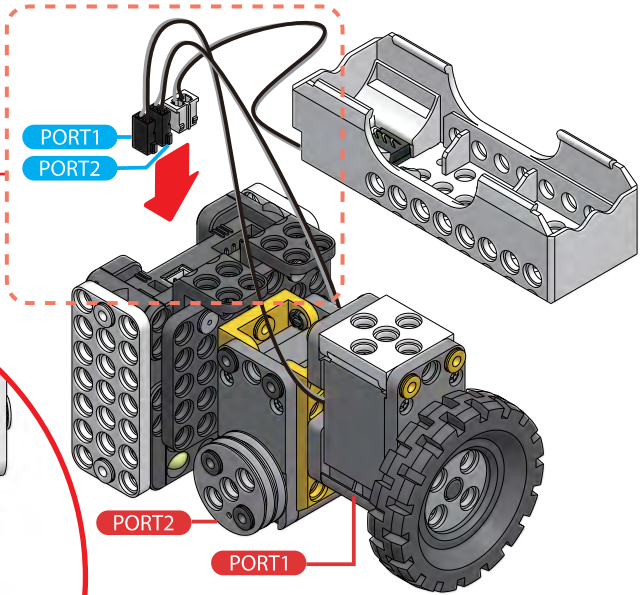
8

-  x1 **SI-15**
-  x1 **SPO-1A**
-  x1 **SPO-4PC**
-  x1 **STR-39**

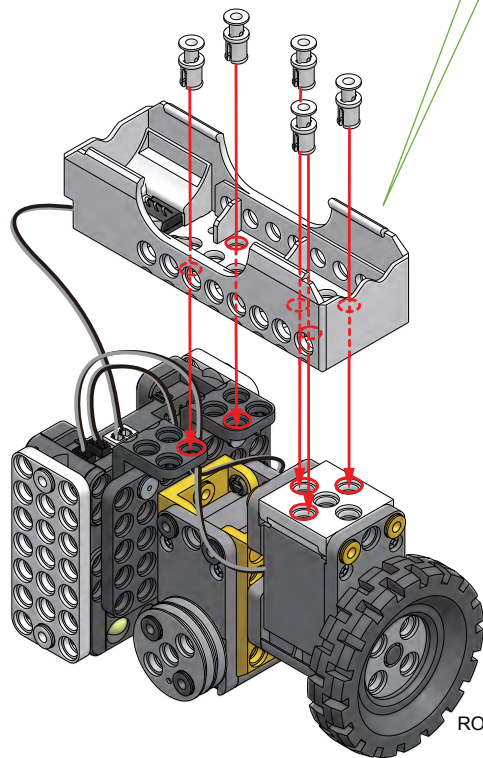






9



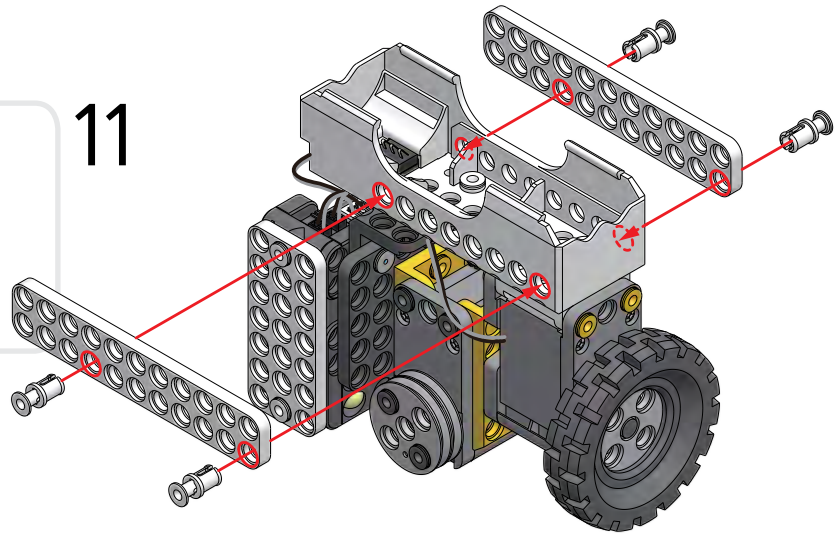
10





 x4
 SRV-1H/1P Ⓜ

 x2
 SPD-2b11 Ⓜ

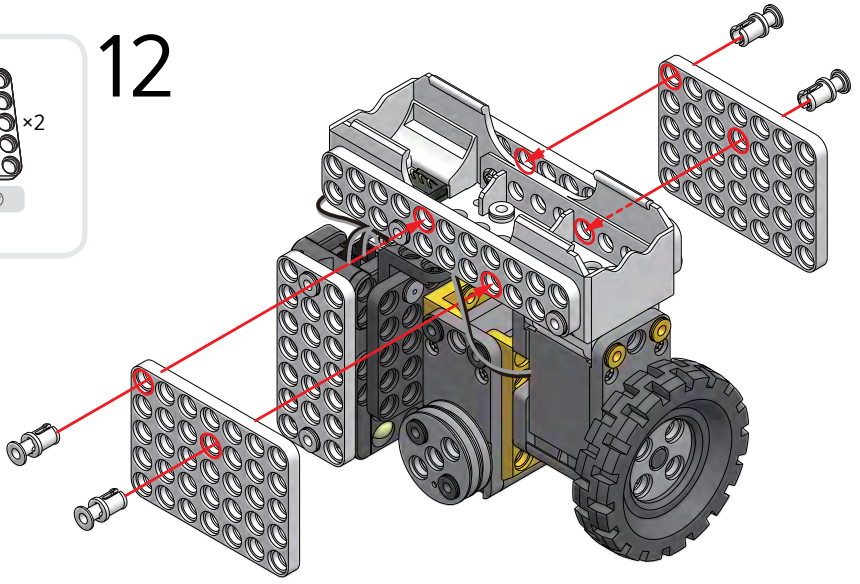
11





 x4
 SRV-1H/1P Ⓜ

 x2
 SPD-5b7 Ⓜ

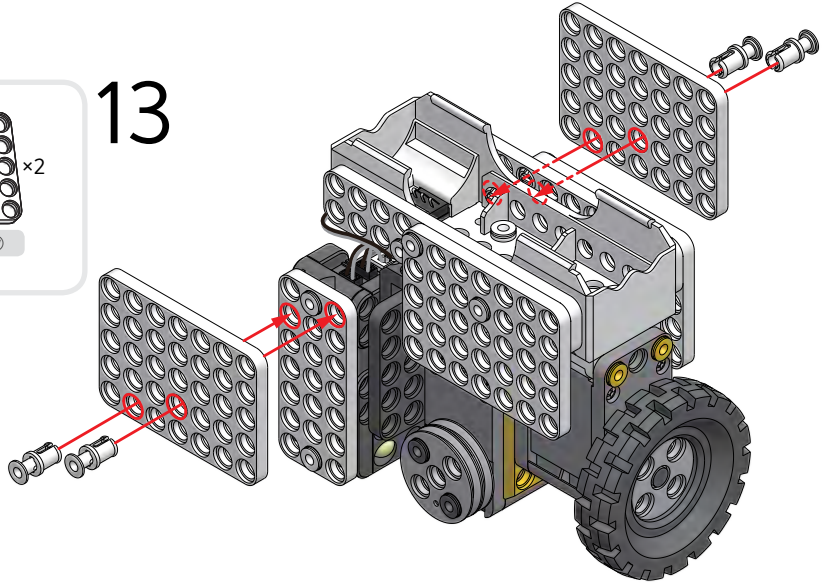
12





 x4
 SRV-1H/1P Ⓜ


 x2
 SPD-5b7 Ⓜ

13

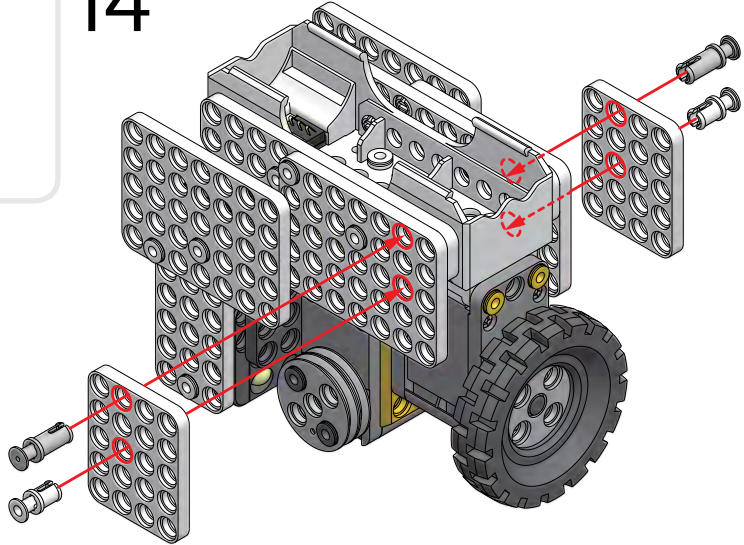



 x2
 SRV-1H/1P


 x2
 SPD-4b5

 x2
 SRV-1LH/1LP

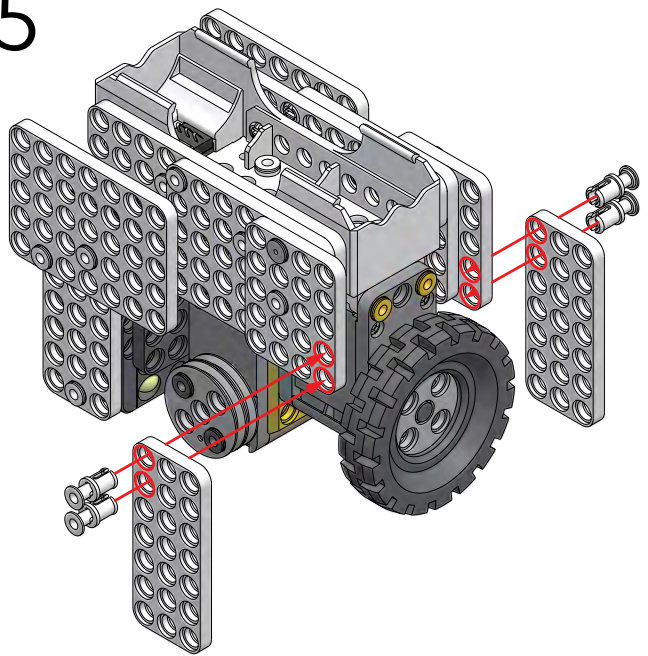
14



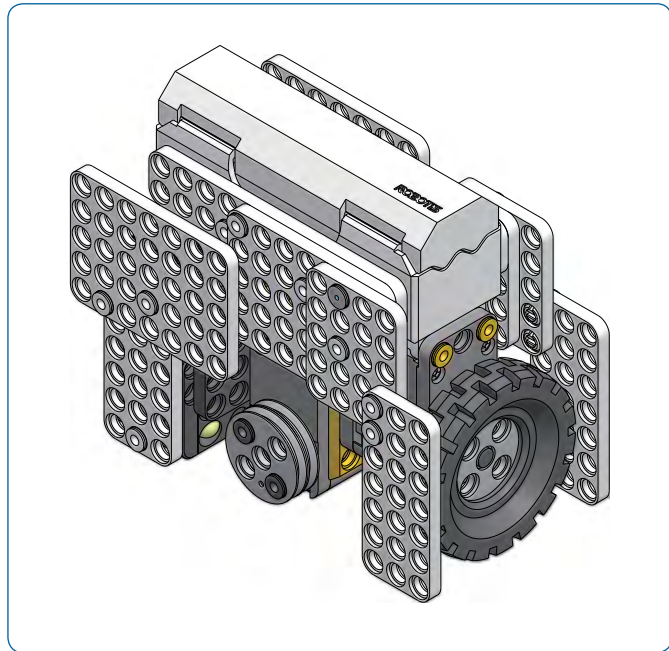
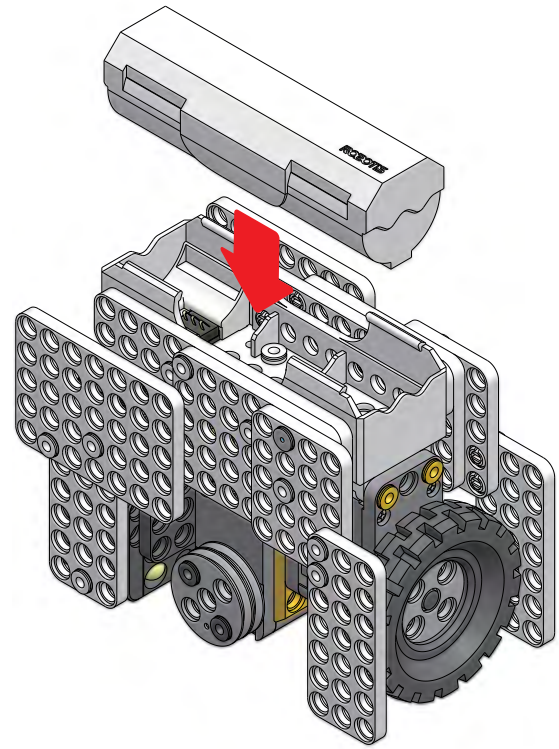
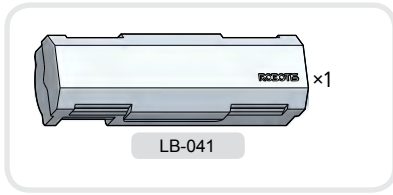
 x4
 SRV-1H/1P

 x2
 SPD-3b7

15



16



17



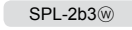
SRV-1H/1P Ⓜ ×2 SRV-1H/1P Ⓜ ×1

SPH Ⓜ ×1 SPJ-1b2R Ⓜ ×2

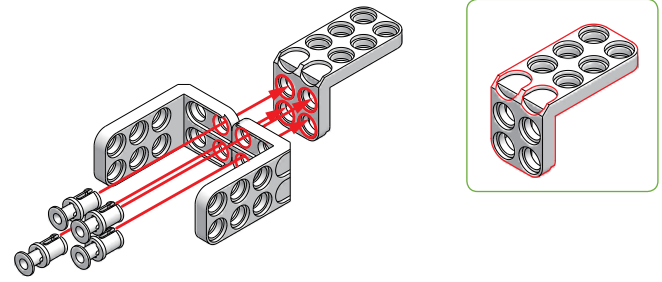
18




SRV-1H/1P Ⓜ ×6

SPD-5b5 Ⓜ ×2 SPA-5b5 Ⓜ ×2

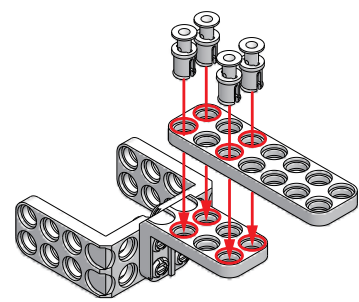
 x4
 x3
 SRV-1H/1P 




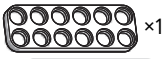
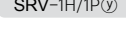
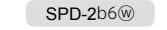
19



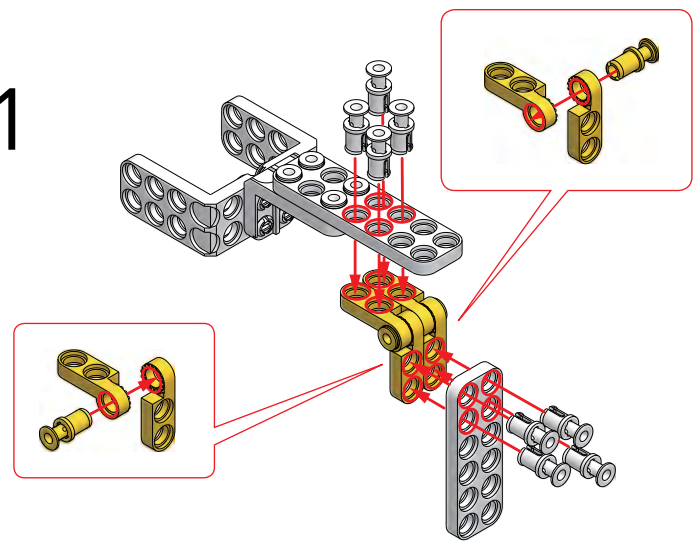
 x4
 x1
 SRV-1H/1P 

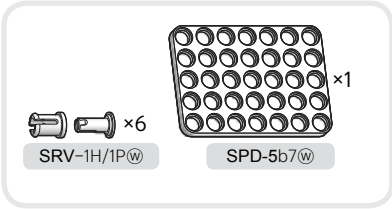
20



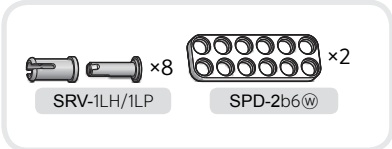
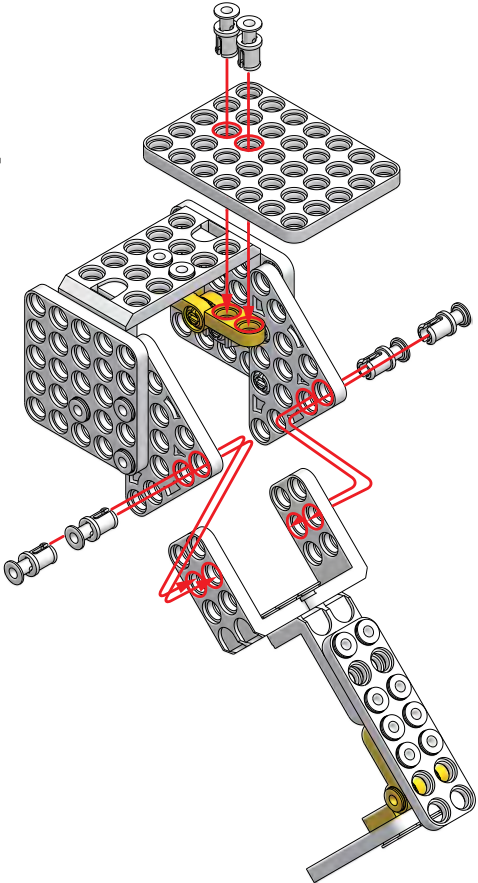
 x8
 x2
 x4
 x1
 SRV-1H/1P 
 SPJ-1b2R 

21

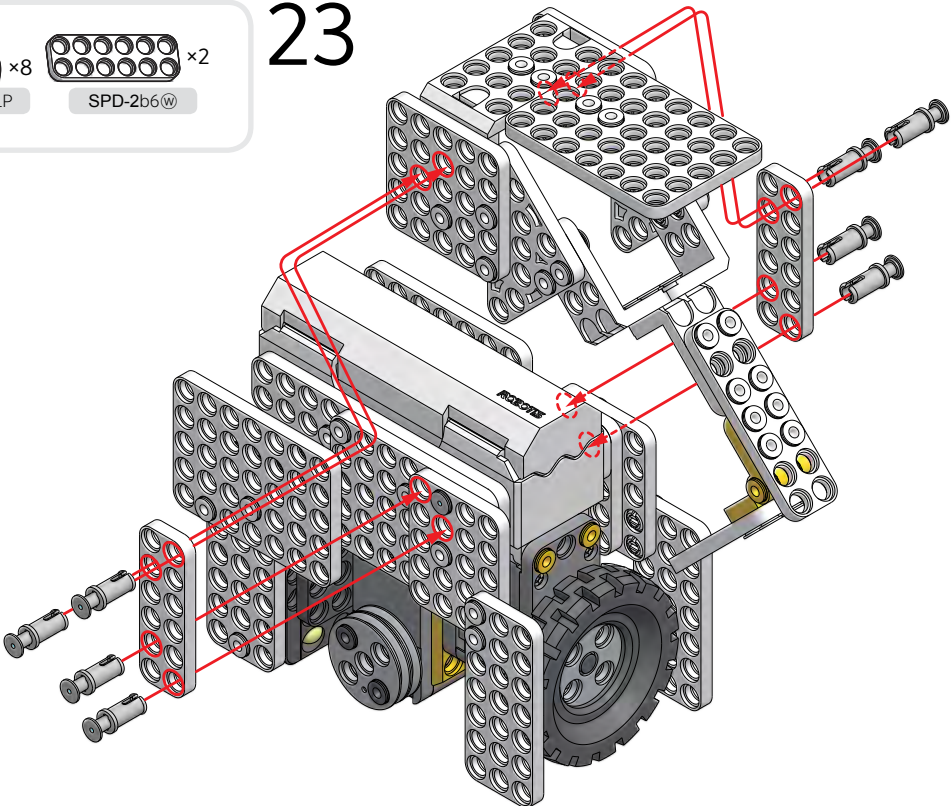




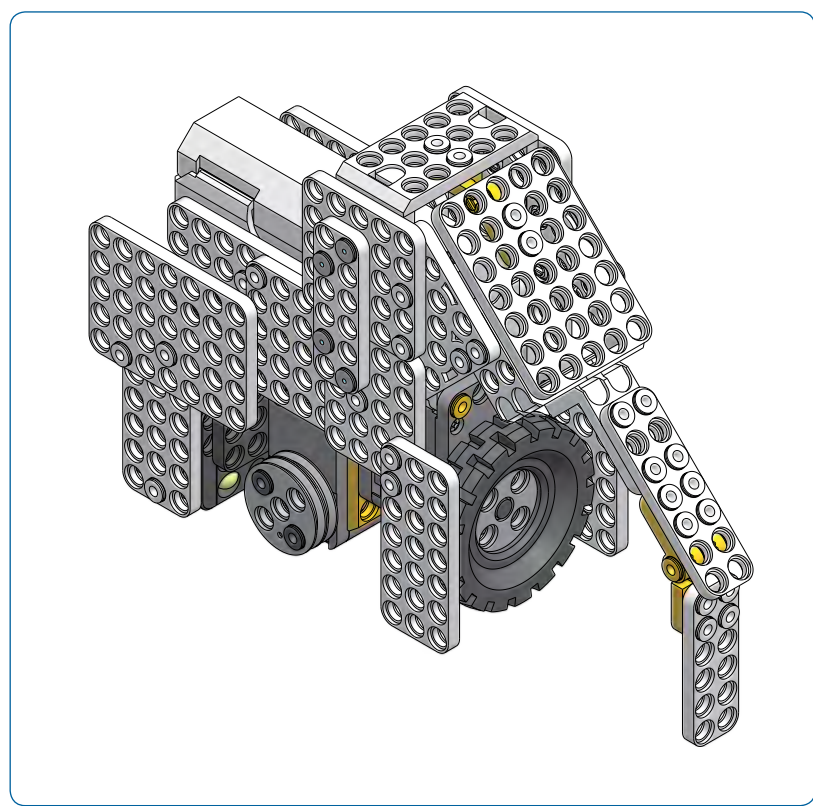
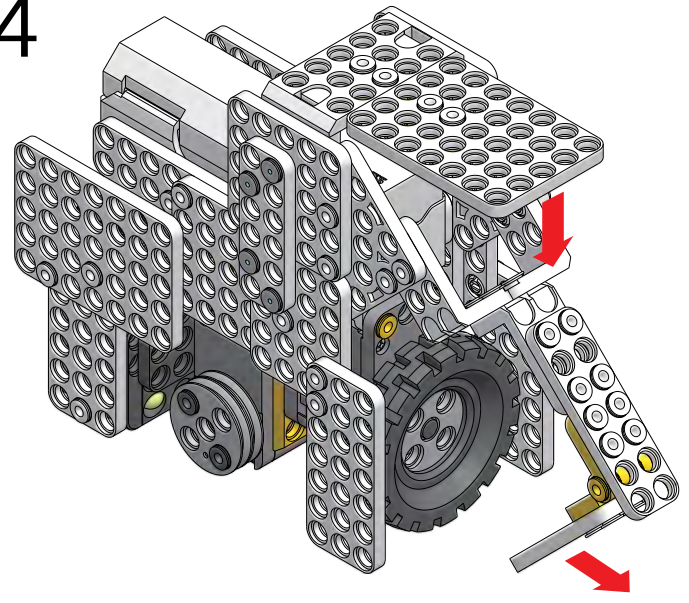
22

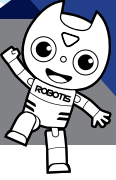


23





24



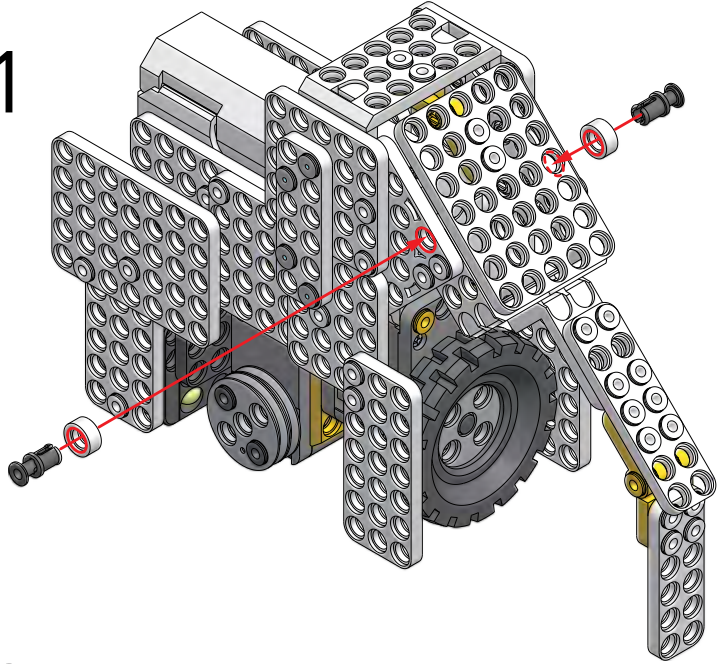




My Own Robot!


Customize the appearance to make your own unique robot.

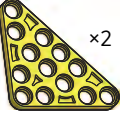
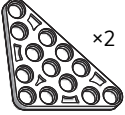
 x2  x2
SRV-1H/IP Ⓜ SPO-1A Ⓜ

1



 x2  x2
SRV-1H/IP Ⓜ SRV-1H/IP Ⓜ

 x2
SRV-1LH/1LP Ⓜ

 x2  x2
SPA-5b5 Ⓜ SPA-5b5 Ⓜ

2

