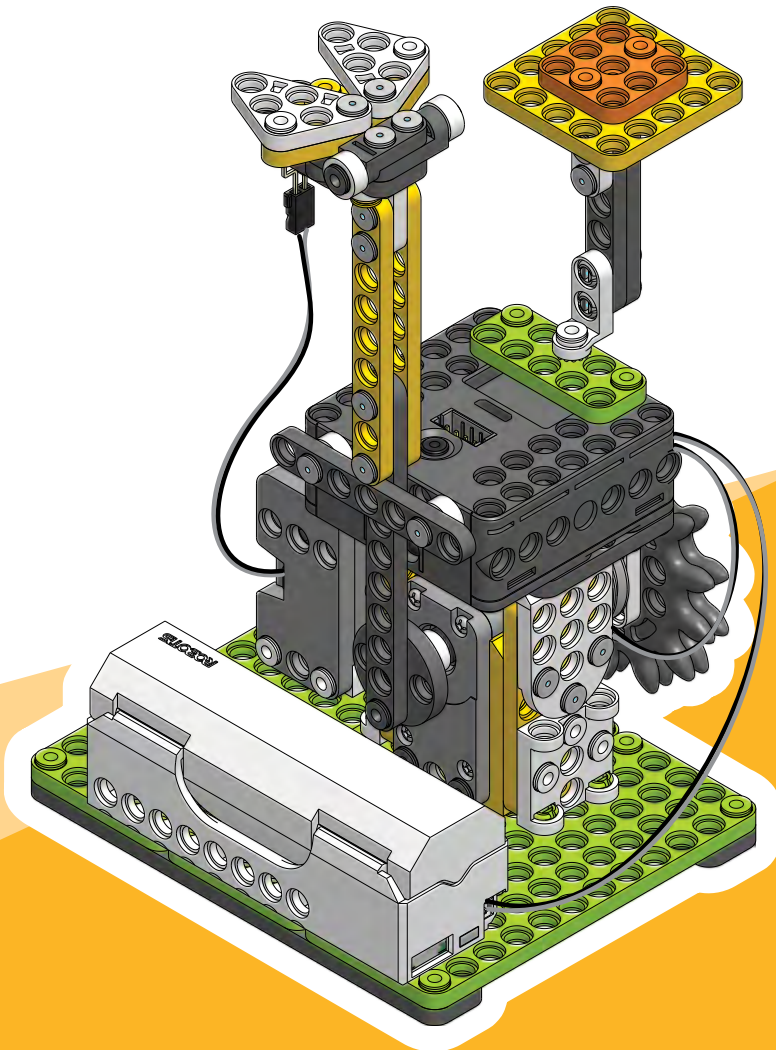


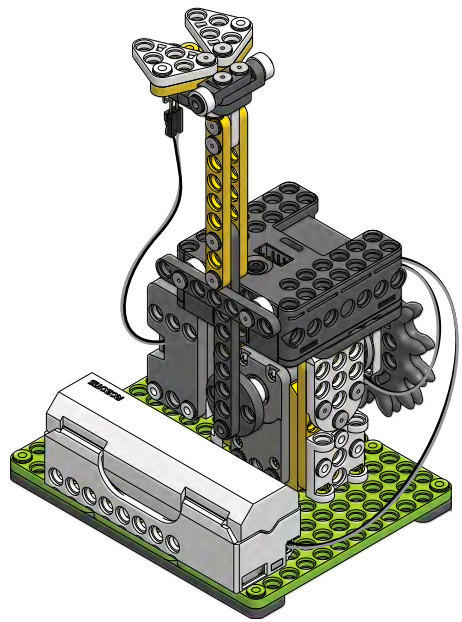


Flower and Firefly

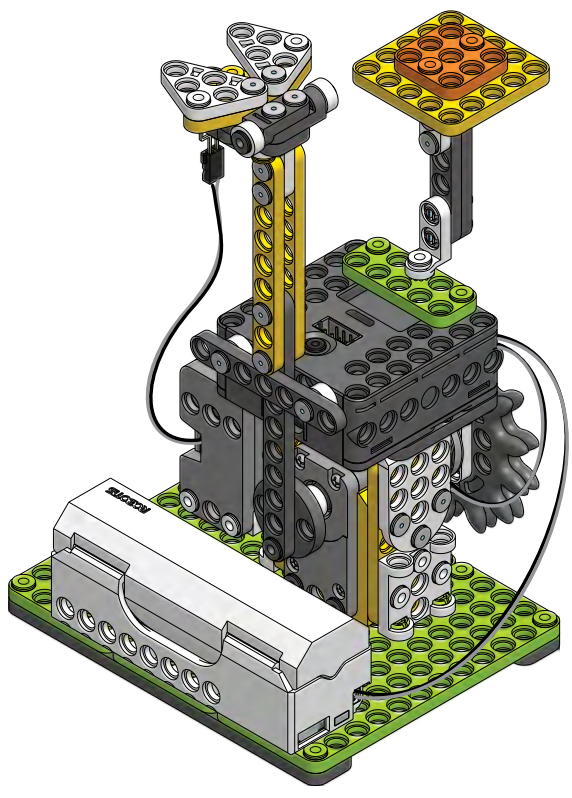


Let's build!

Let's build a robot.



Below is the final image of the robot when you are done with assembling the "My Own Robot" step.

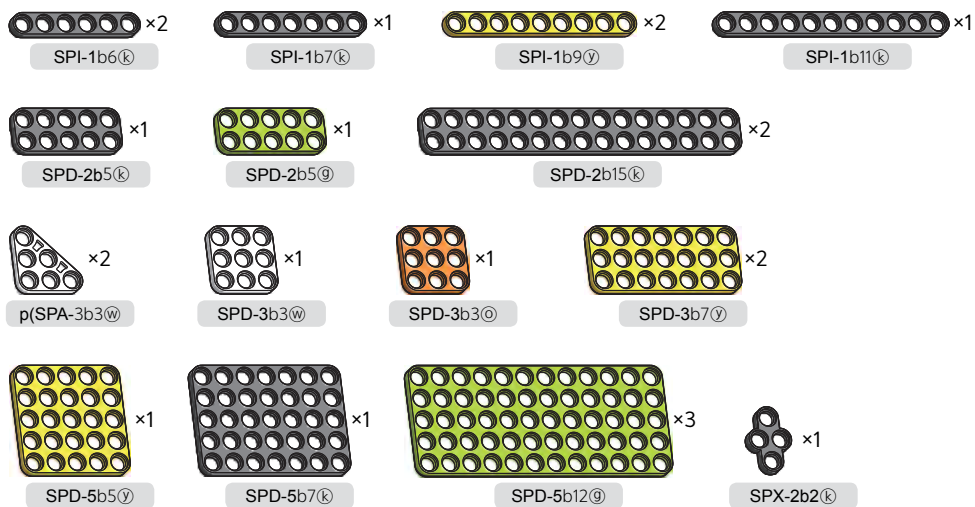


You will require the following parts.

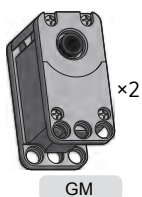
Rivet



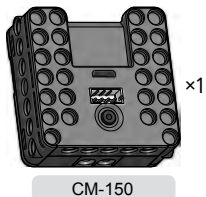
Plate



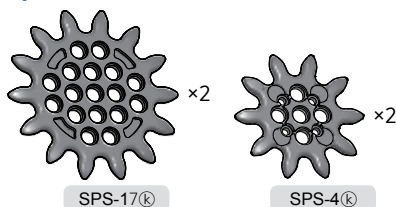
Geared motor



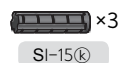
Controller



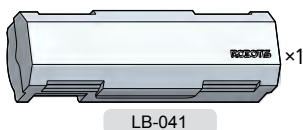
Sprocket



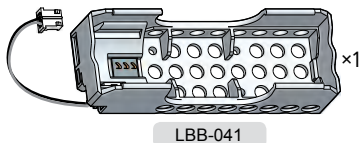
Spindle



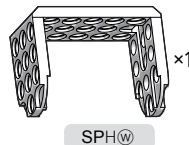
Battery



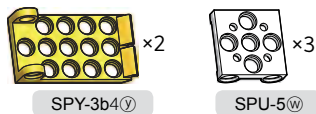
Battery box



Hinge



Adaptor



Cross horn



Pulley



Spacer



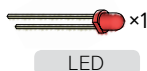
Bracket



Joint



LED



• Parts and color of the products might be different from the images of the assembly manual.

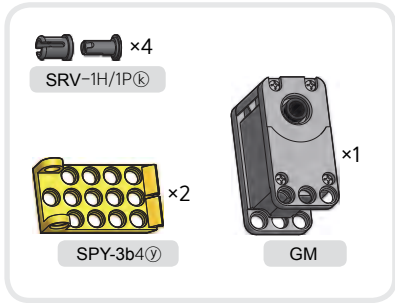
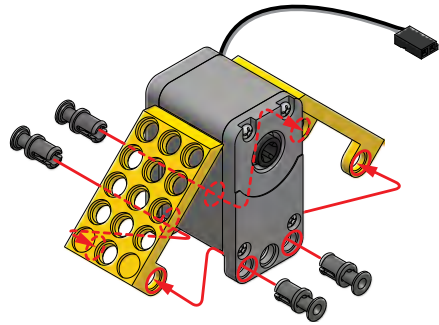
Building a Flower and Firefly Robot

1

SRV-1H/1P (K) x4

SPY-3b4 (V) x2

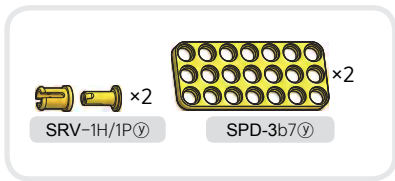
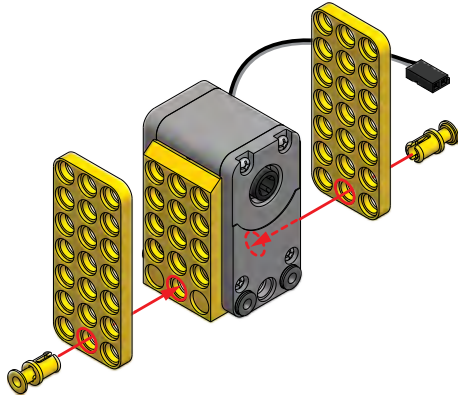
GM x1

2

SRV-1H/1P (V) x2

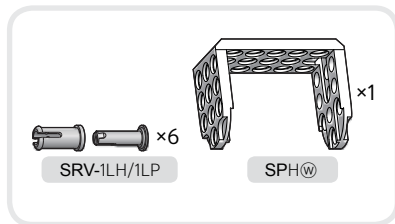
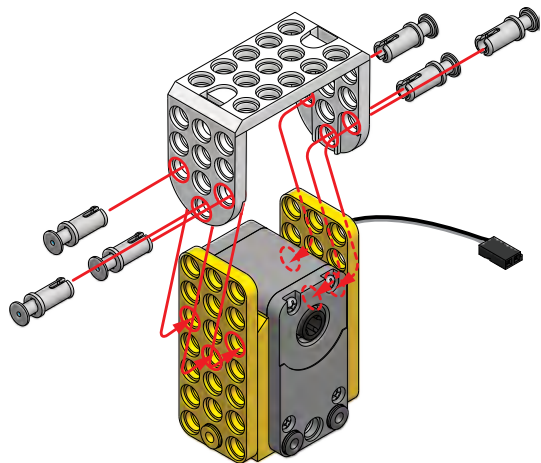
SPD-3b7 (V) x2

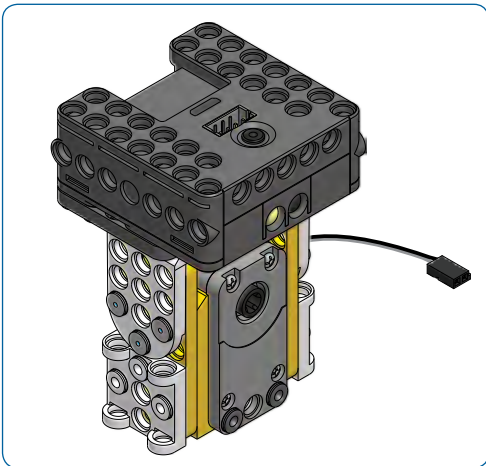
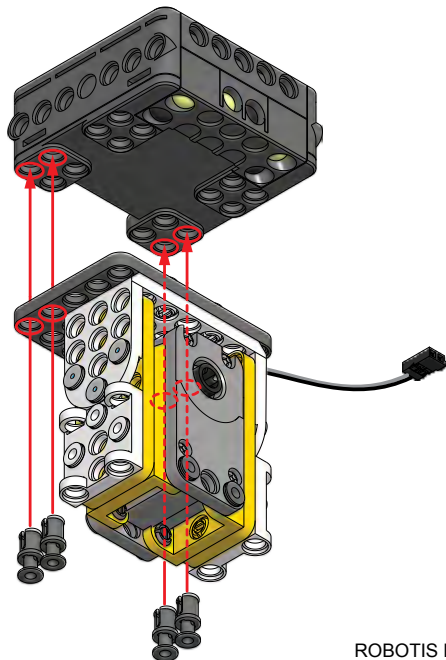
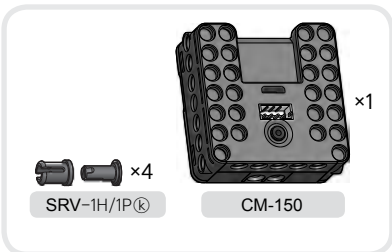
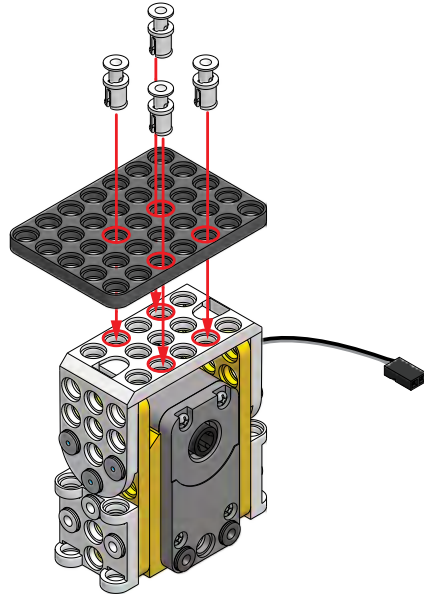
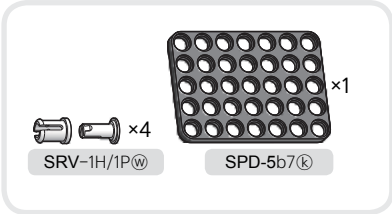
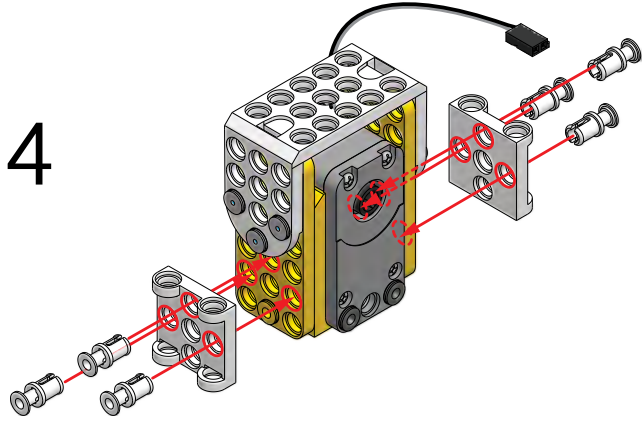
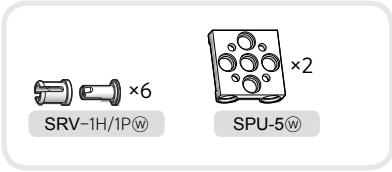



3

SRV-1LH/1LP x6

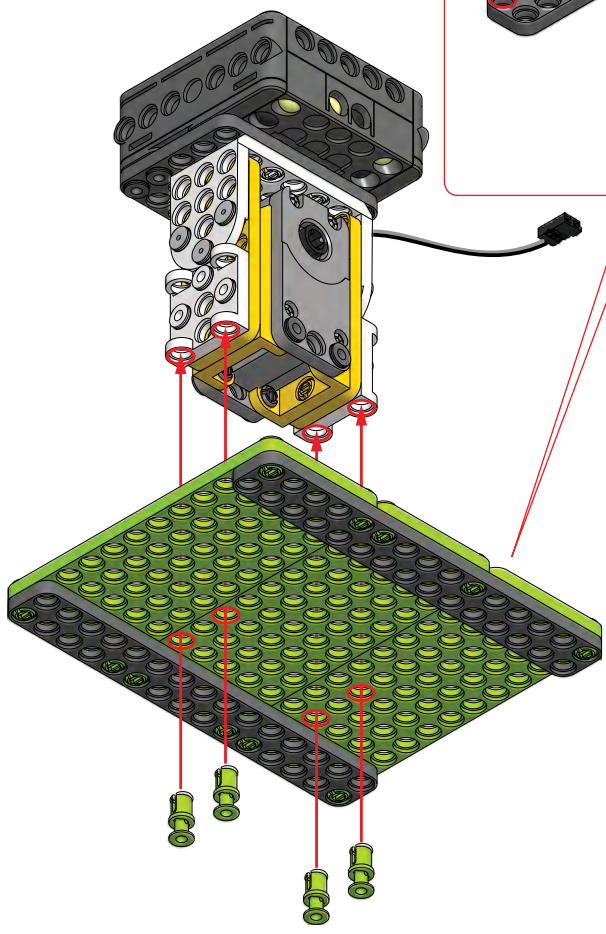
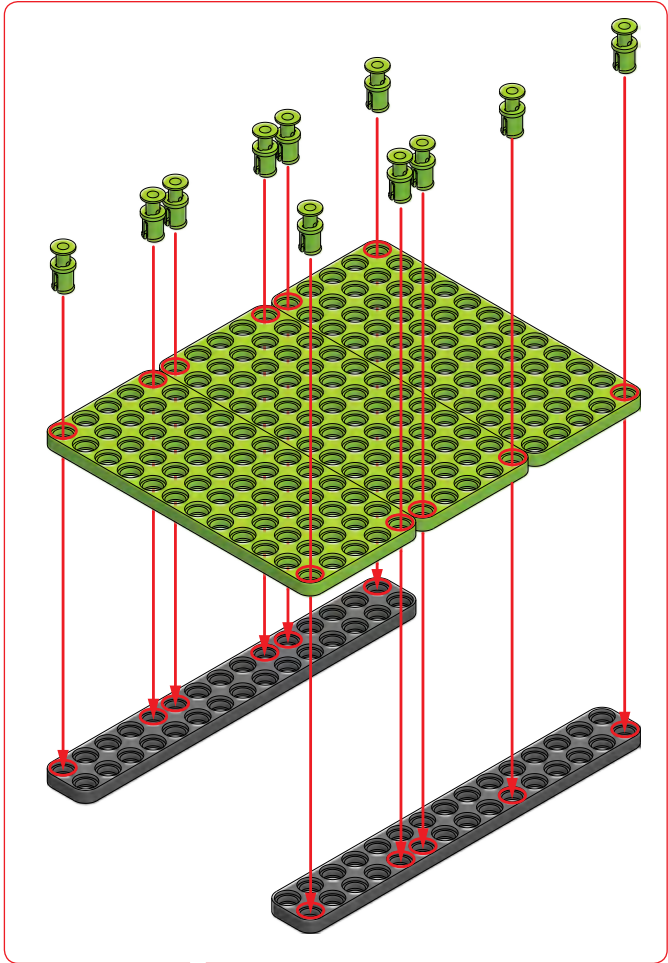
SPH (W) x1



7

-  x15
SRV-1H/IP
-  x2
SPD-2b15
-  x3
SPD-5b12

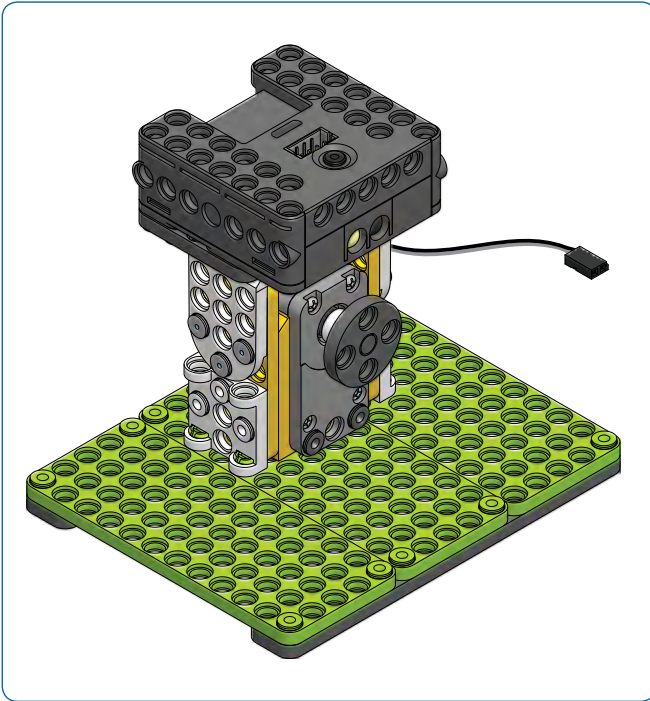
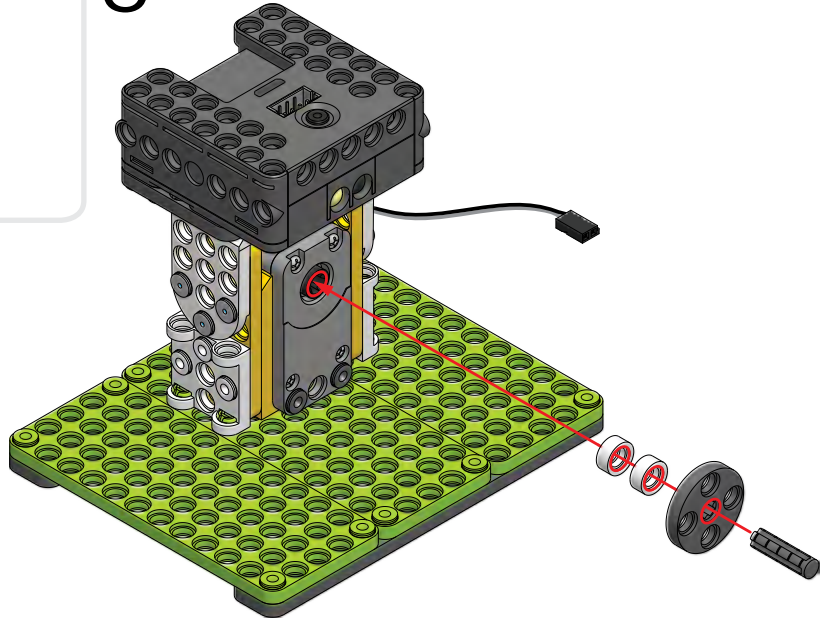


SI-15 ④ ×1







SPO-4HC ④ ×1

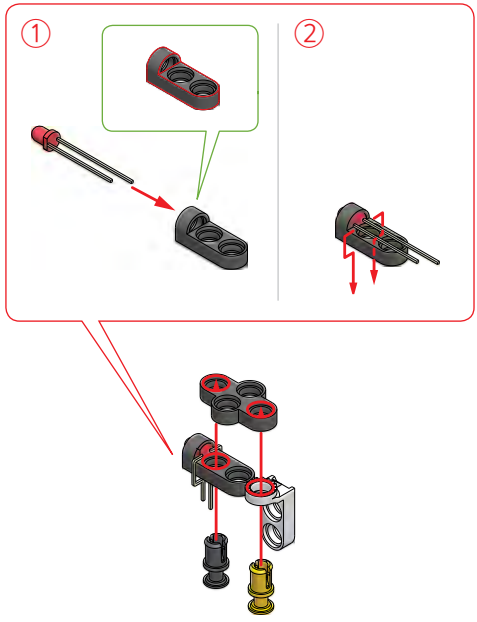
SPO-1A ④ ×2

8







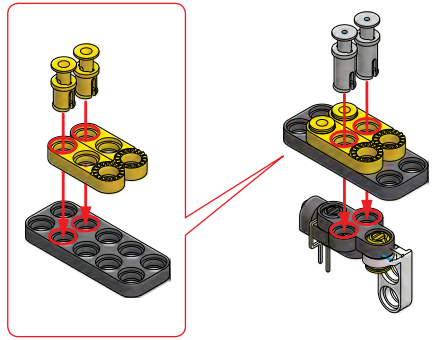
9

-  x1  x1
SRV-1H/1P(γ) SRV-1H/1P(κ)
-  x1  x1
SPJ-1b2P(ω) SPL-1b2(κ)
-  x1  x1
SPX-2b2(κ) LED







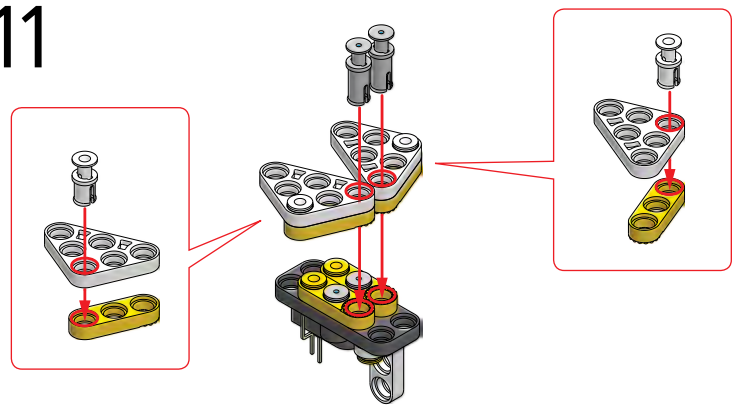
10

-  x2  x2
SRV-1H/1P(γ) SRV-1LH/1LP
-  x1  x2
SPD-2b5(κ) SPJ-1b2S(γ)



11

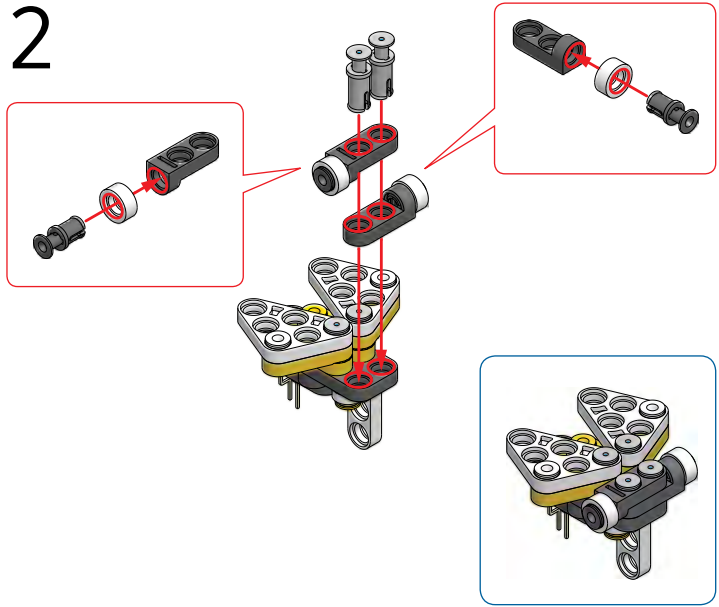
-  x2  x2
SRV-1H/1P(ω) SRV-1LH/1LP
-  x2  x2
p(SPA-3b3(ω)) SPJ-1b2S(γ)



SRV-1H/IP (K) x2 SRV-1LH/1LP x2

SPL-1b2 (K) x2 SPO-1A (W) x2

12

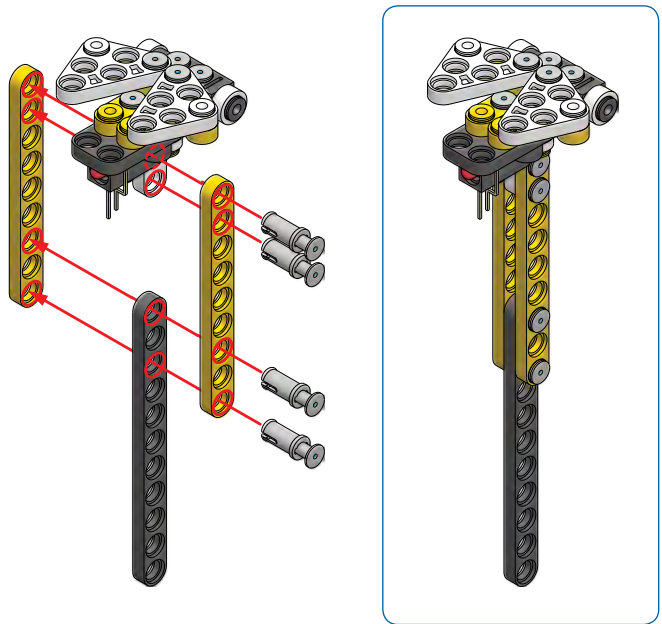


SRV-1LH/1LP x4

SPI-1b9 (V) x2

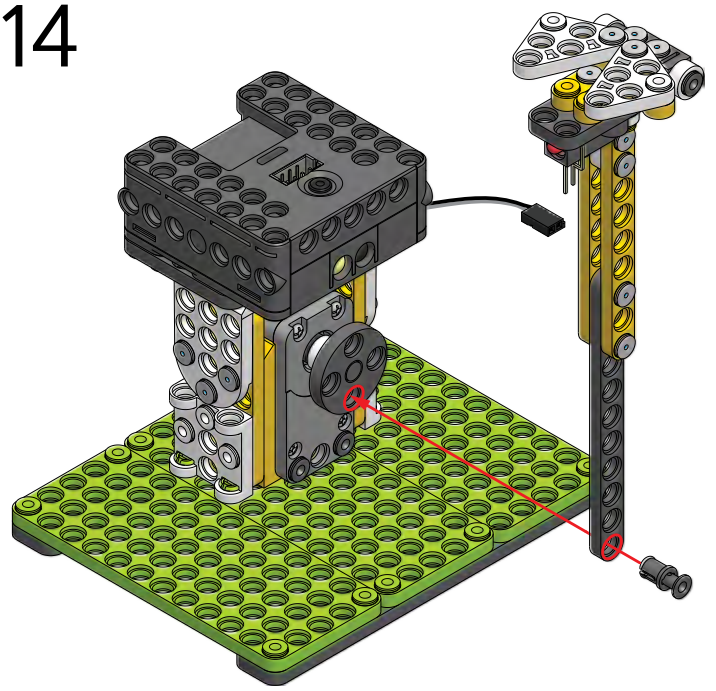
SPI-1b11 (K) x1

13



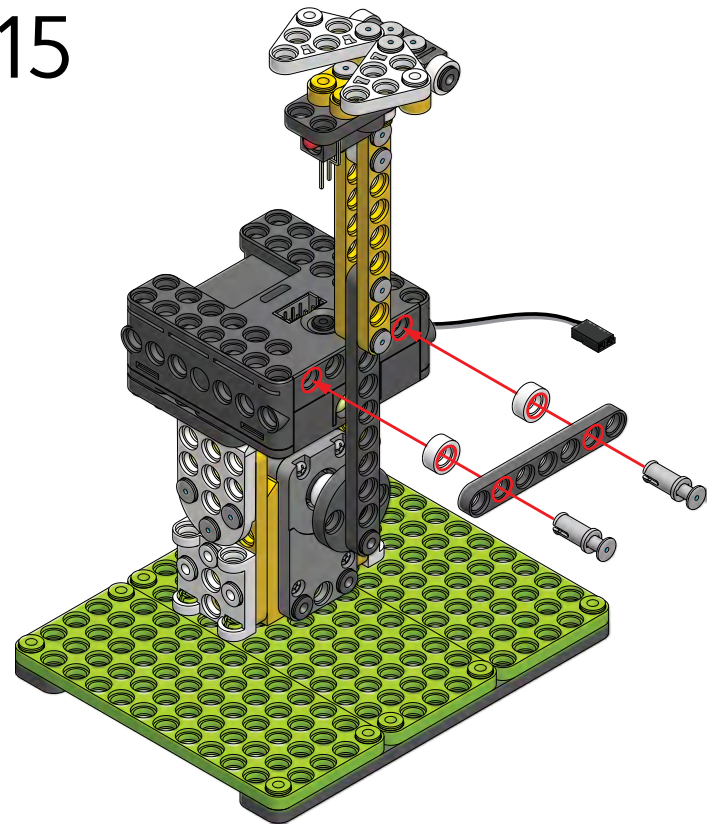
14

- SRV-1H/1P ×1




15

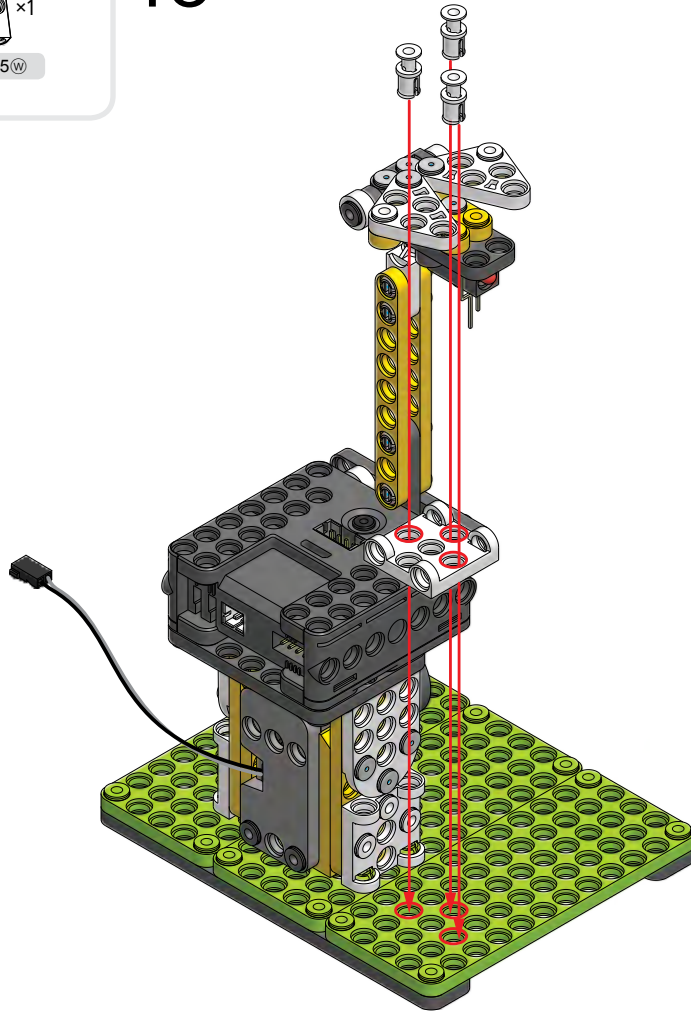
- SRV-1LH/1LP ×2
- SPO-1A ×2
- SPI-1b7 ×1



16

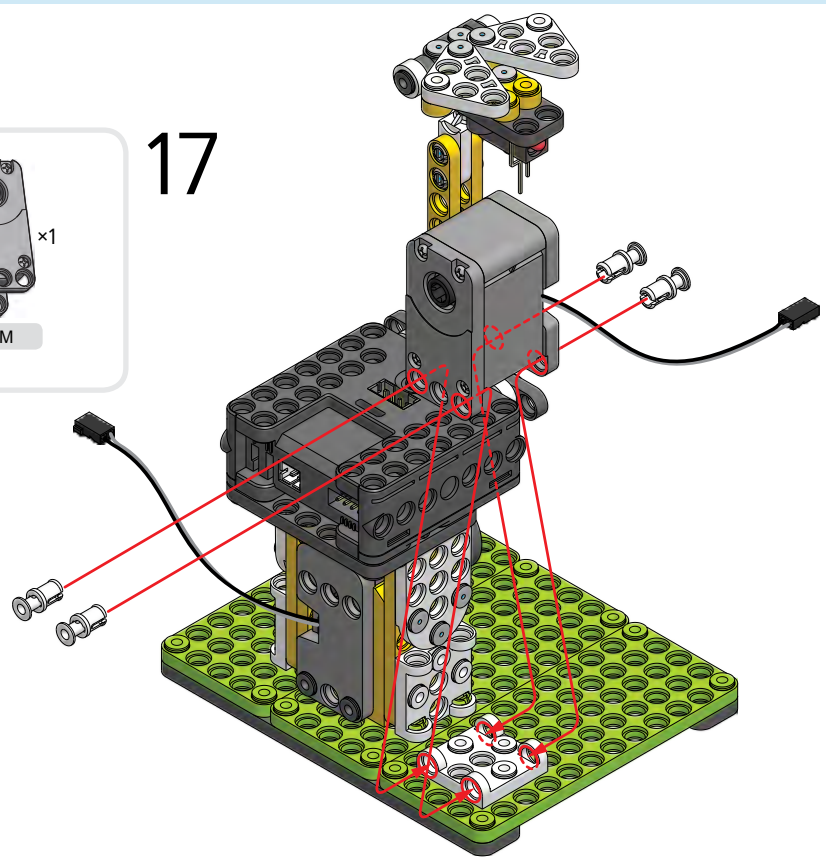
SRV-1H/1P  x3

SPU-5  x1



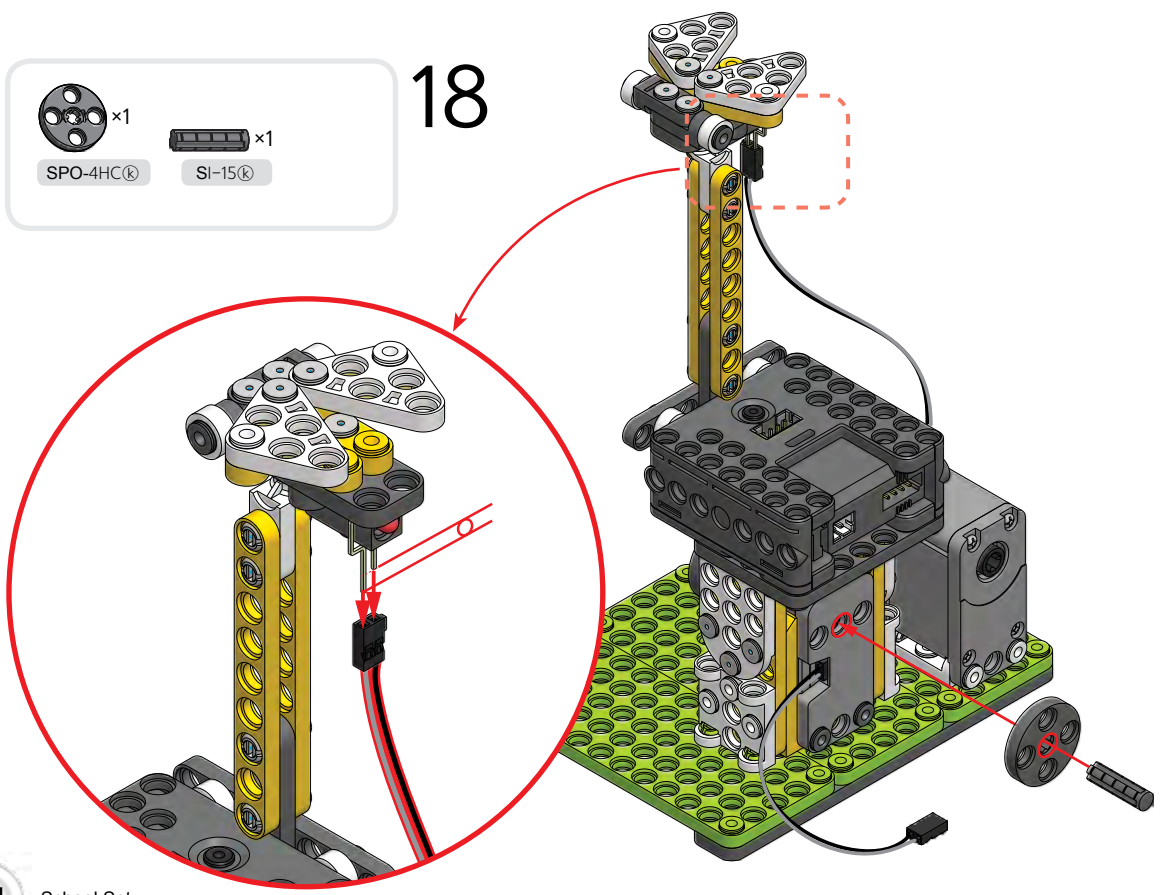
17


SRV-1H/1P® x4
GM x1




18

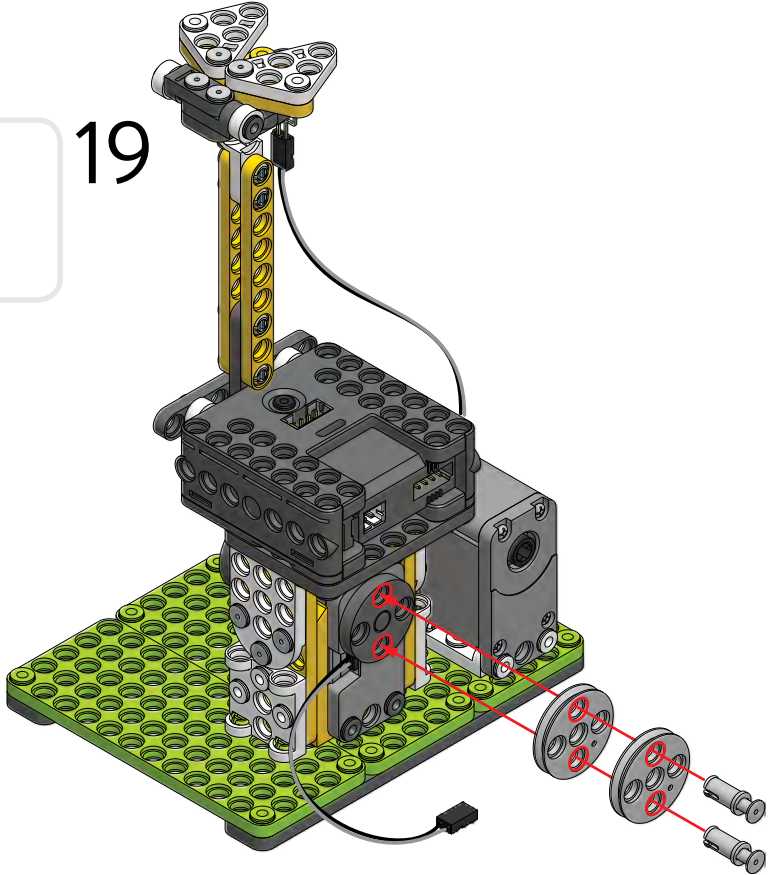
SPO-4HC® x1
SI-15® x1





 x2
 SPO-4PR®

 x2
 SRV-1LH/1LP

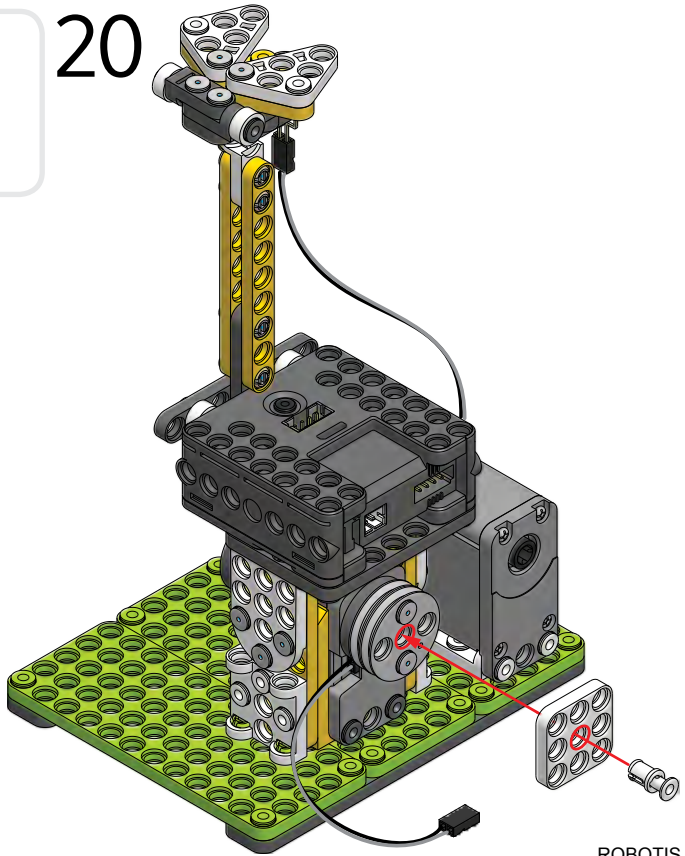
19



 x1
 SPD-3b3®

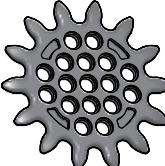
 x1
 SRV-1H/1P®

20




21

×2

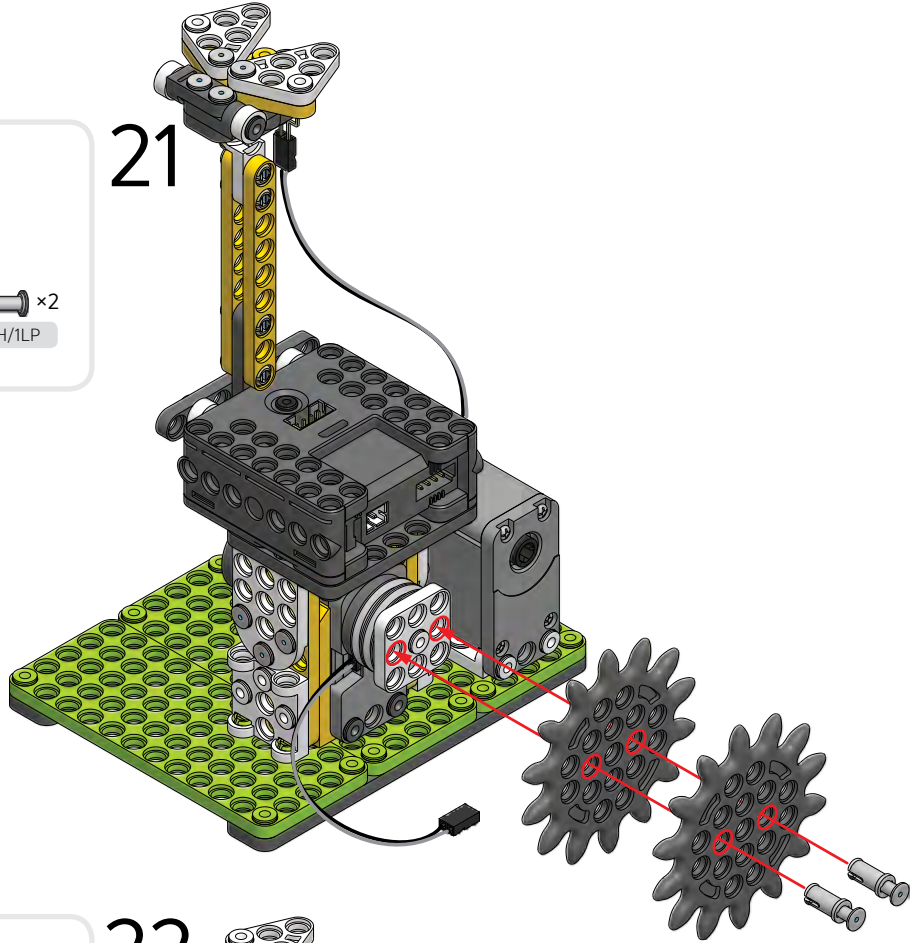


SPS-17(k)

×2




SRV-1LH/1LP




22

×2

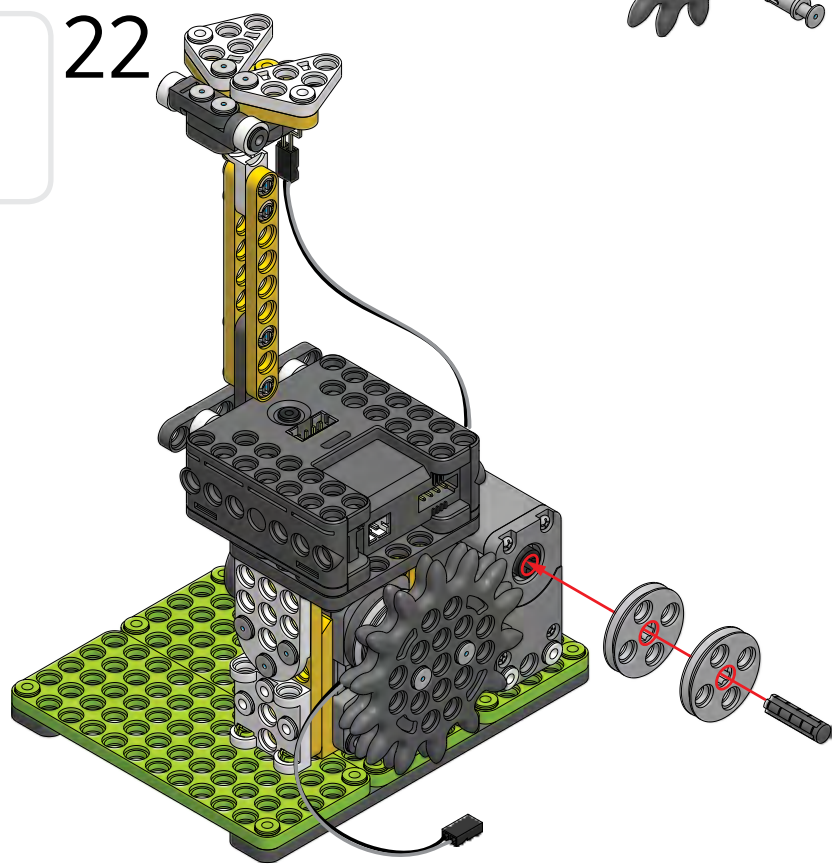


SPO-4PC(Ⓞ)

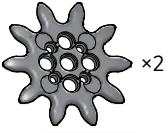
×1



SI-15(k)



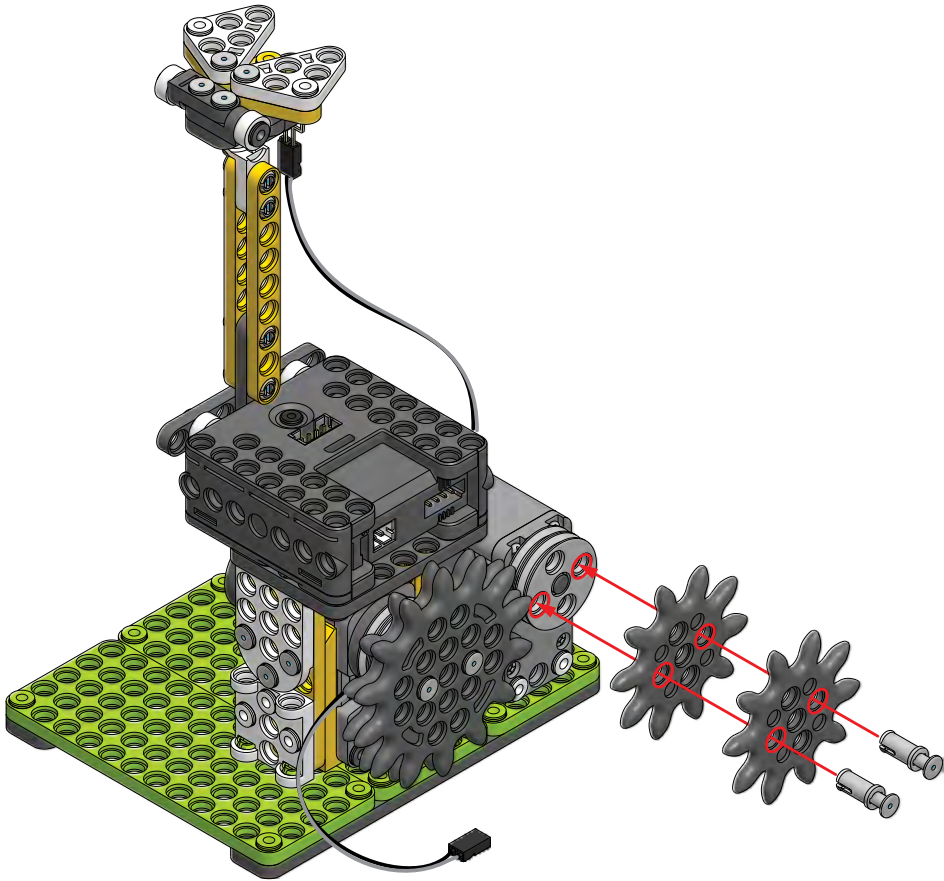
23



SPS-4

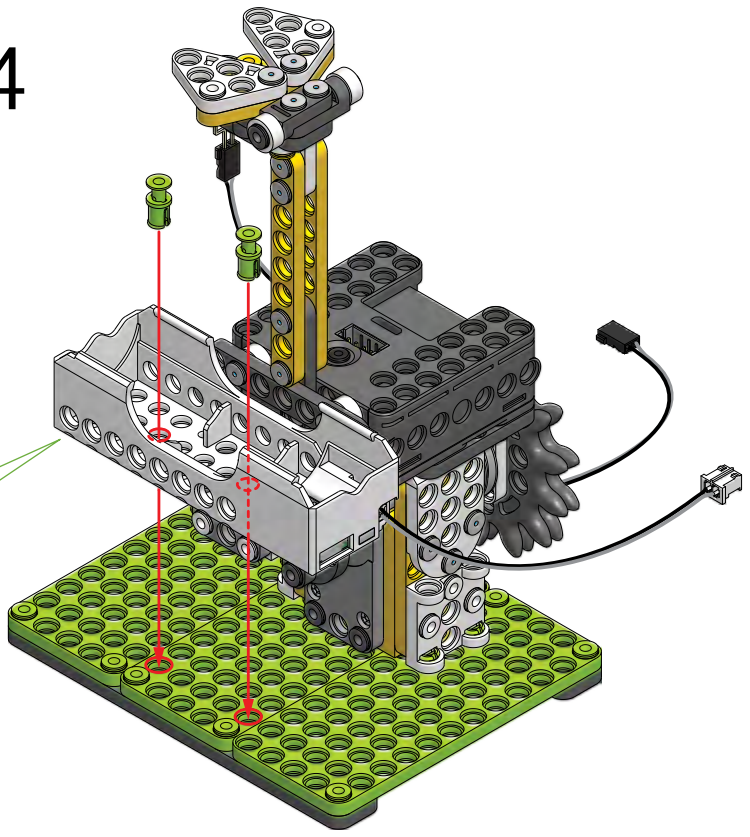
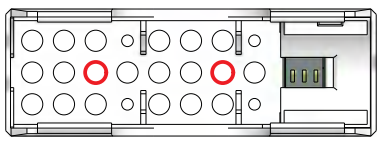
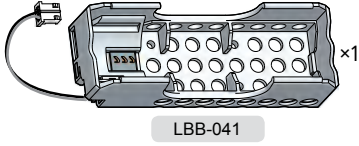


SRV-1LH/1LP

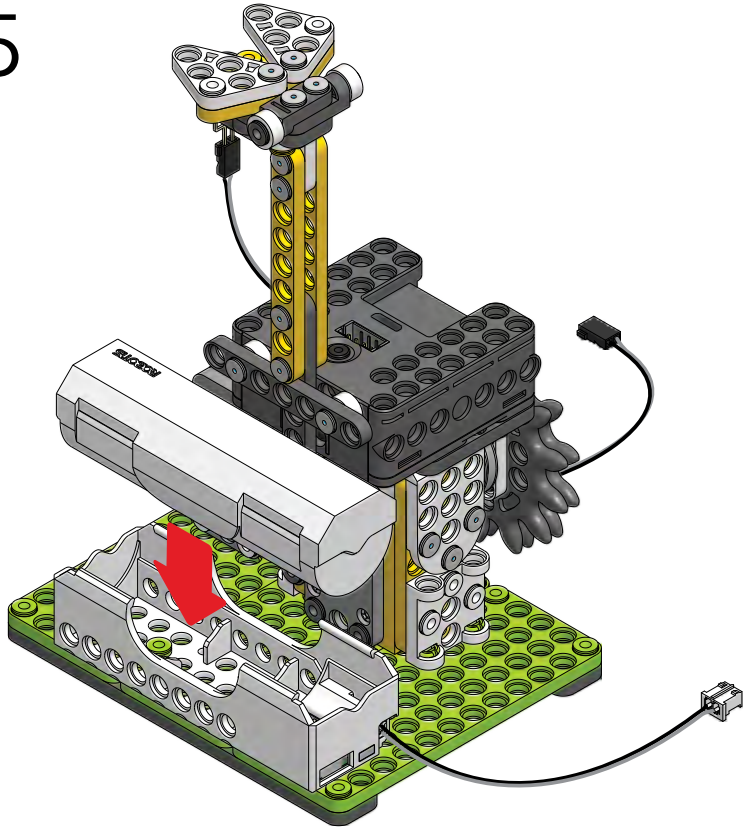
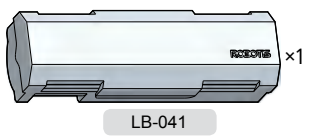


24

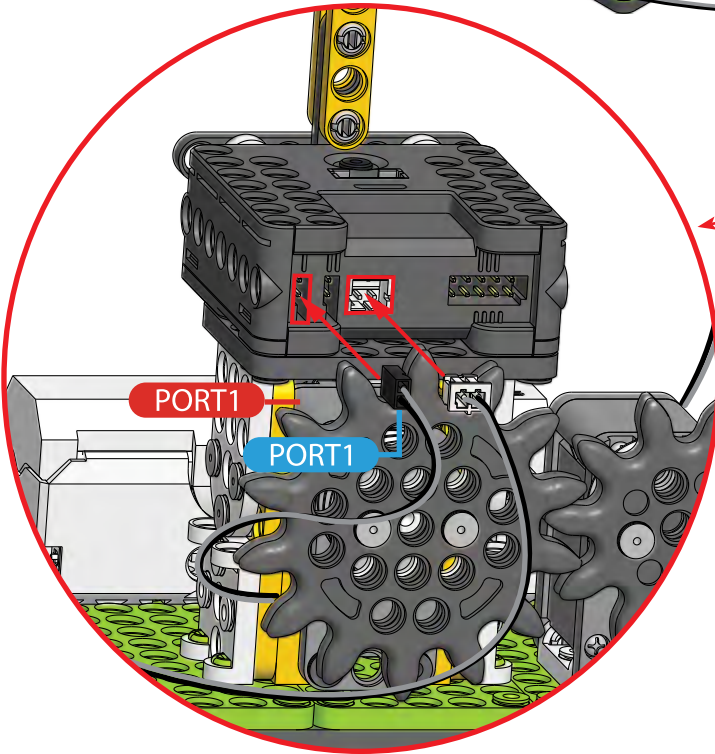
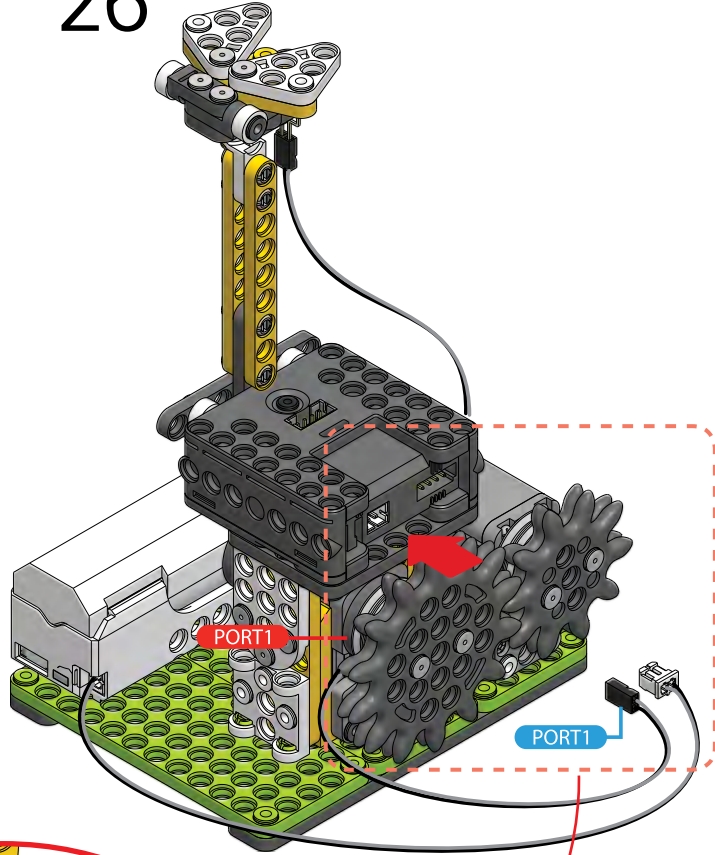
SRV-1H/1P@ x2

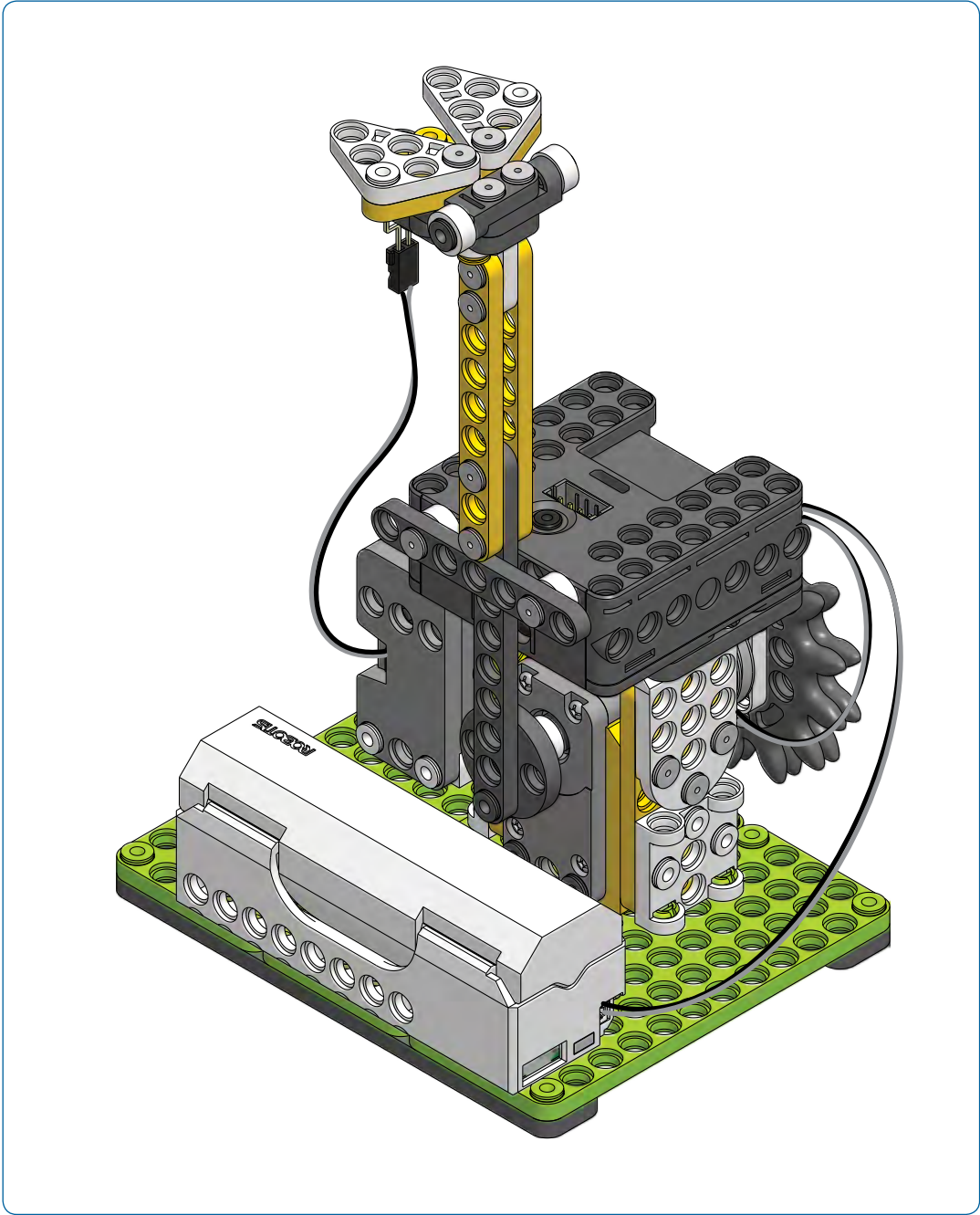


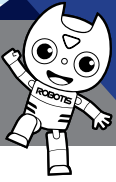
25



26








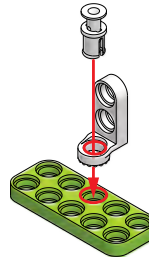



My Own Robot!

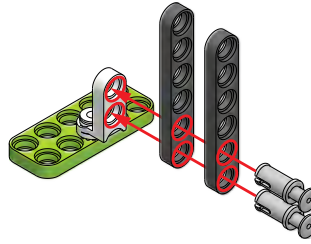
Customize the appearance to make your own unique robot.

  **1**

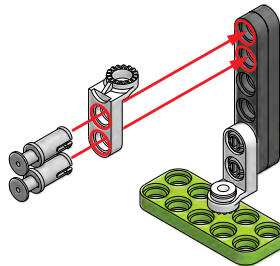






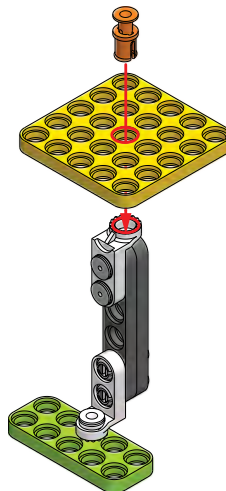
  **2**



  **3**

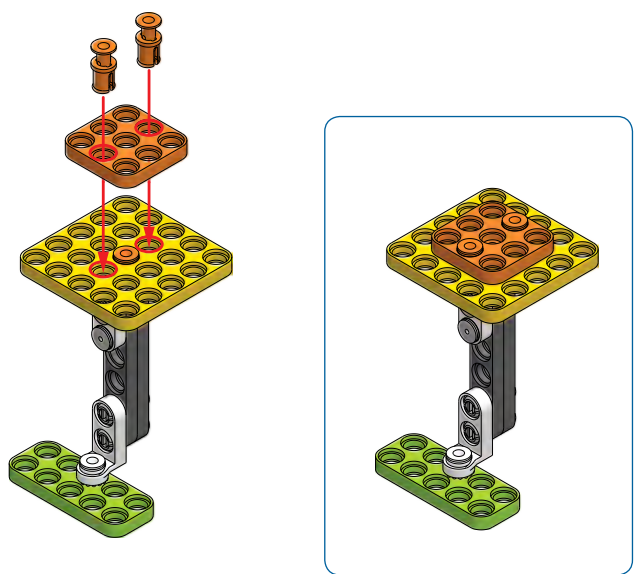


  **4**



SRV-1H/1P ⊕ ×2
SPD-3b3 ⊕ ×1

5



SRV-1H/1P ⊕ ×2

6

