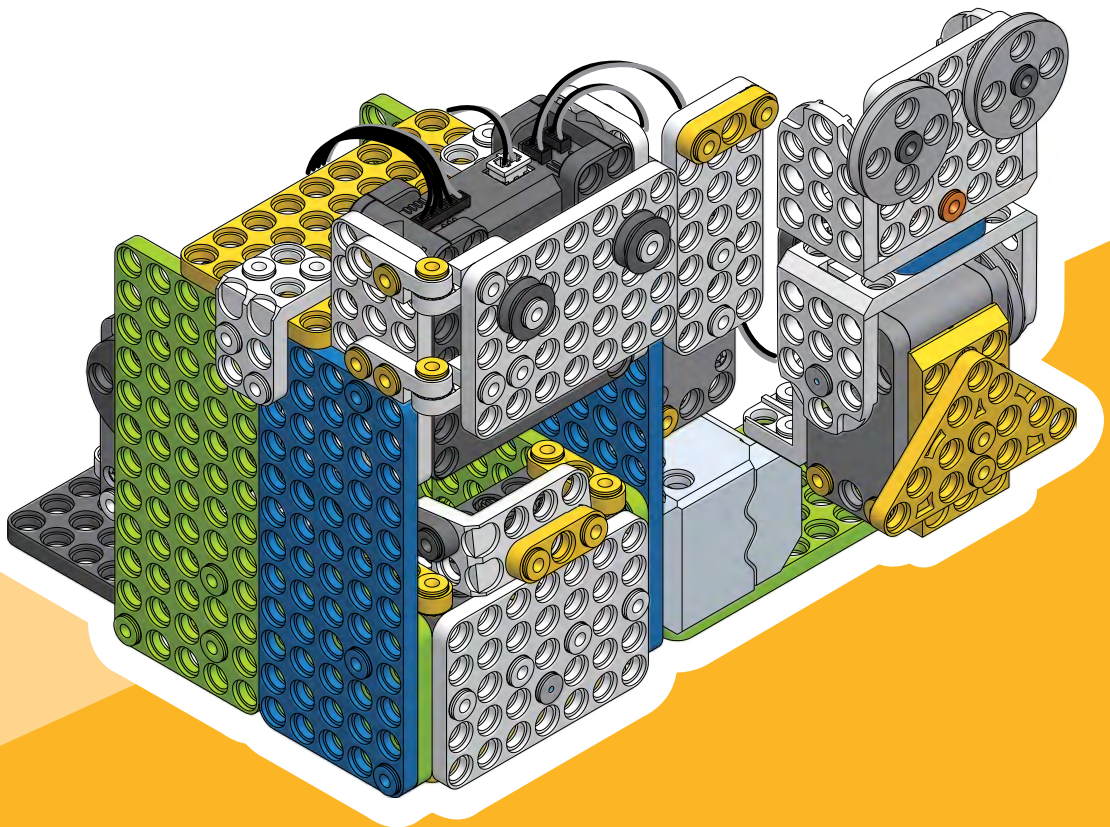


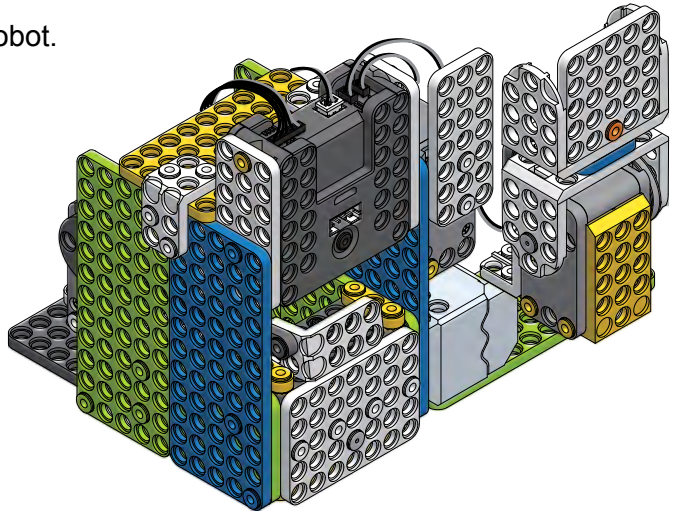


Money Box

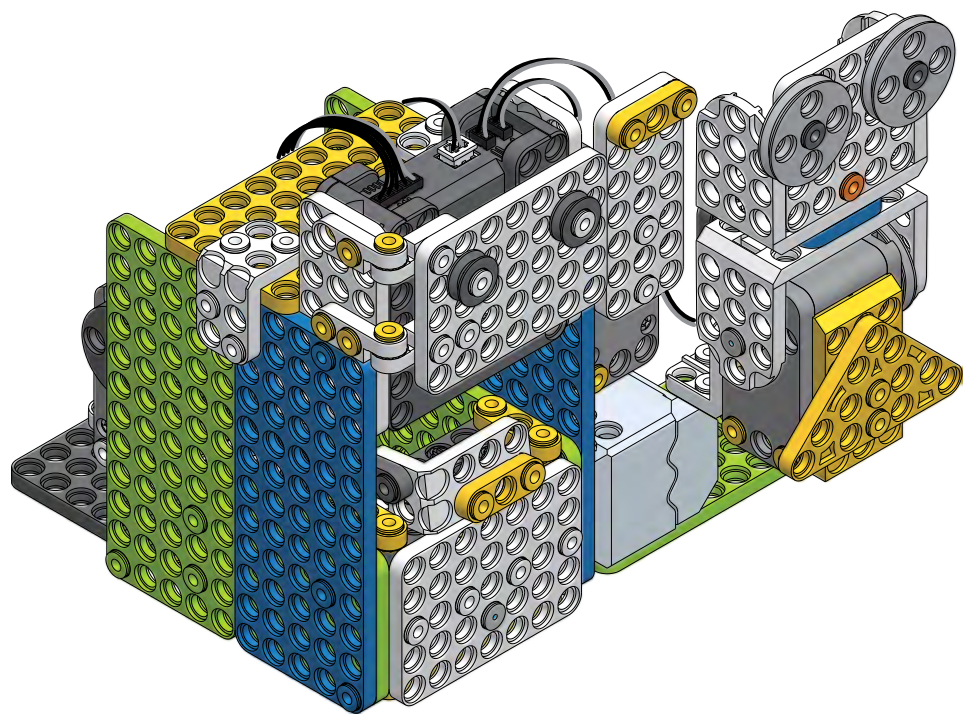


Let's build!

Let's build a robot.



Below is the final image of the robot when you are done with assembling the 'My Own Robot' step.

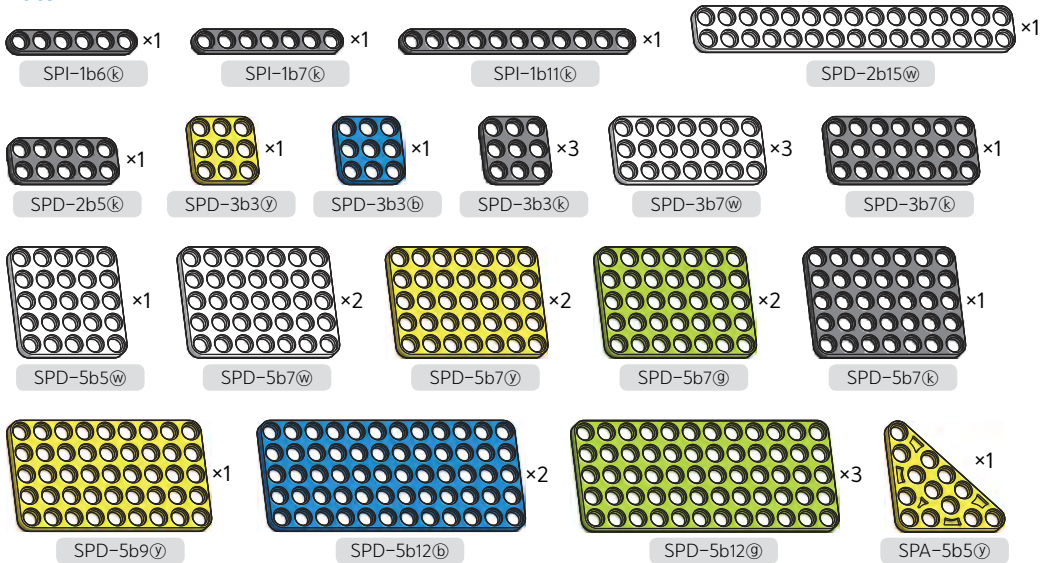


This chapter requires the following parts.

Rivet



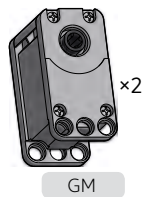
Plate



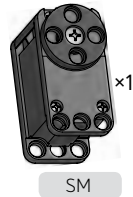
Controller



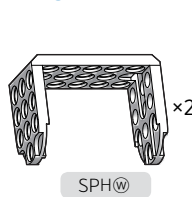
Geared motor



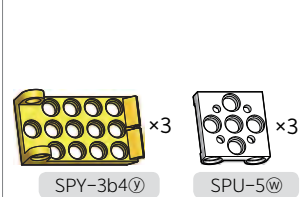
Servo motor



Hinge



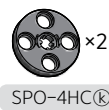
Adaptor



Pulley



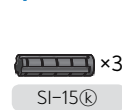
Cross horn



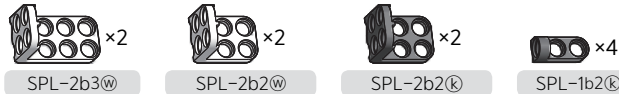
Spacer



Spindle



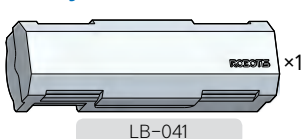
Bracket



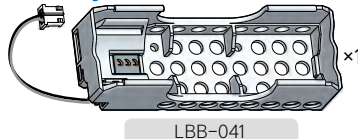
Joint



Battery



Battery box




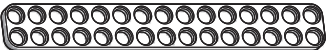
Cable




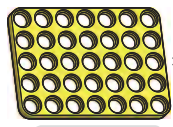
• Parts and color of the products might be different from the images of the assembly manual.

Building the money box

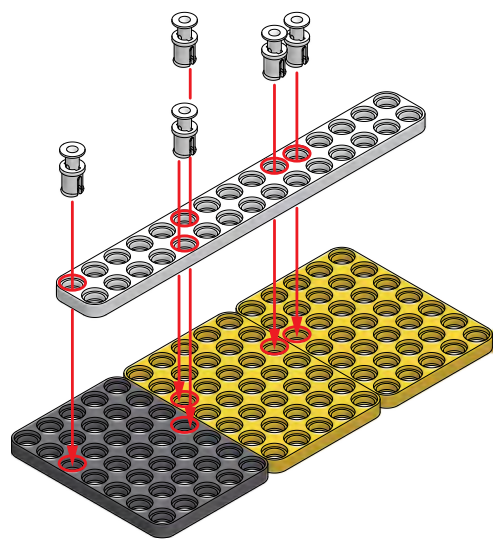
 x5
 SRV-1H/1P(Ⓜ)

 x1
 SPD-2b15(Ⓜ)

 x1
 SPD-5b7(Ⓜ)

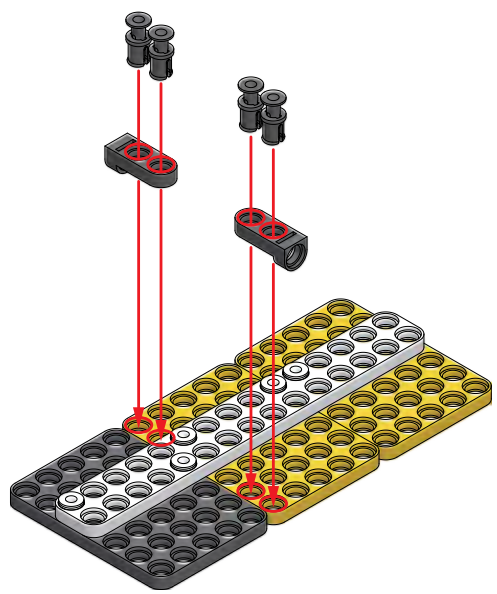
 x2
 SPD-5b7(Ⓜ)

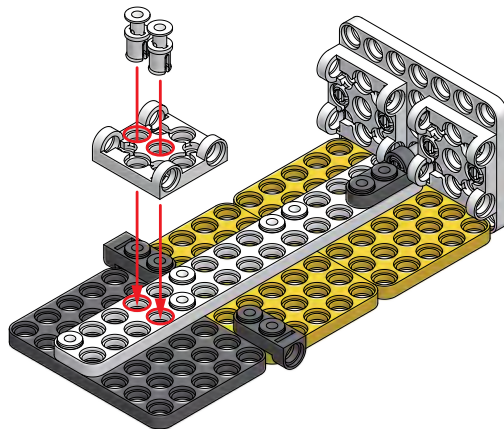
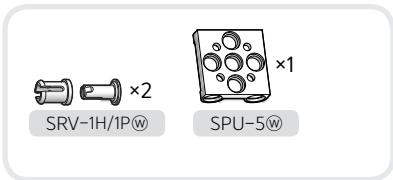
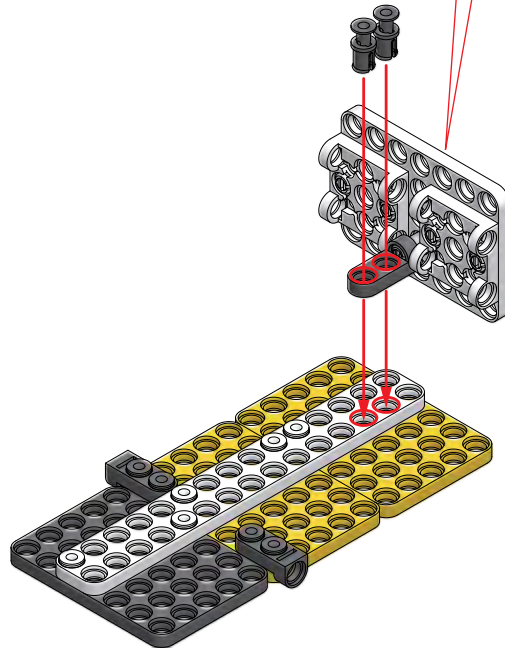
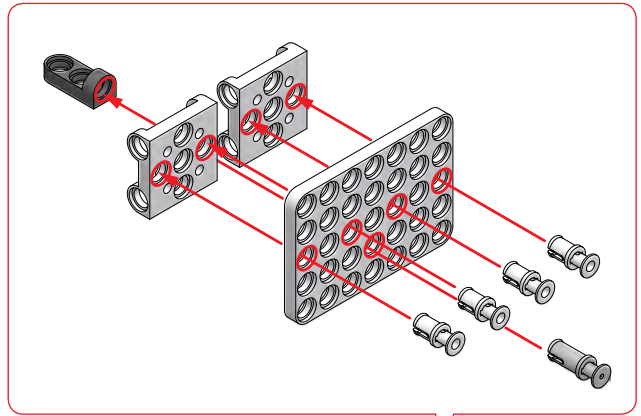
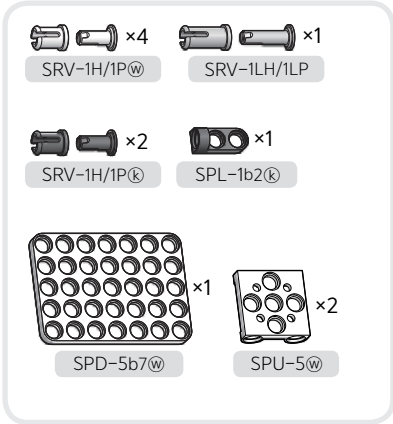
1



 x4  x2
 SRV-1H/1P(Ⓜ) SPL-1b2(Ⓜ)

2



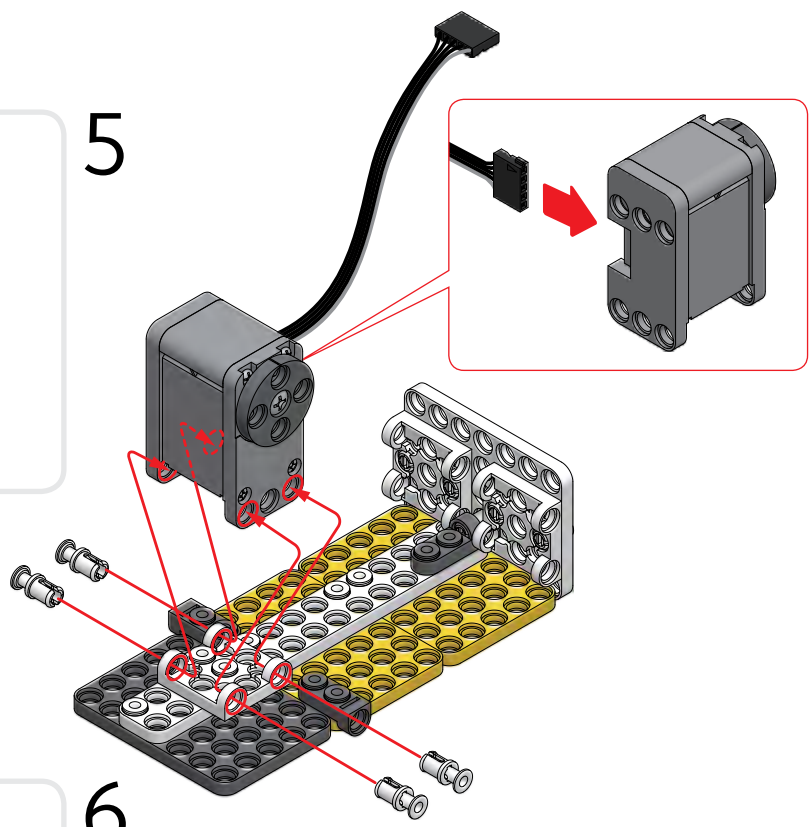


5

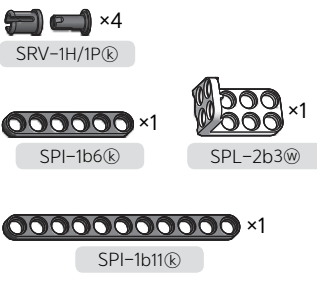


 SRV-1H/1P ×4 SM ×1

 5P-CABLE 15 ×1



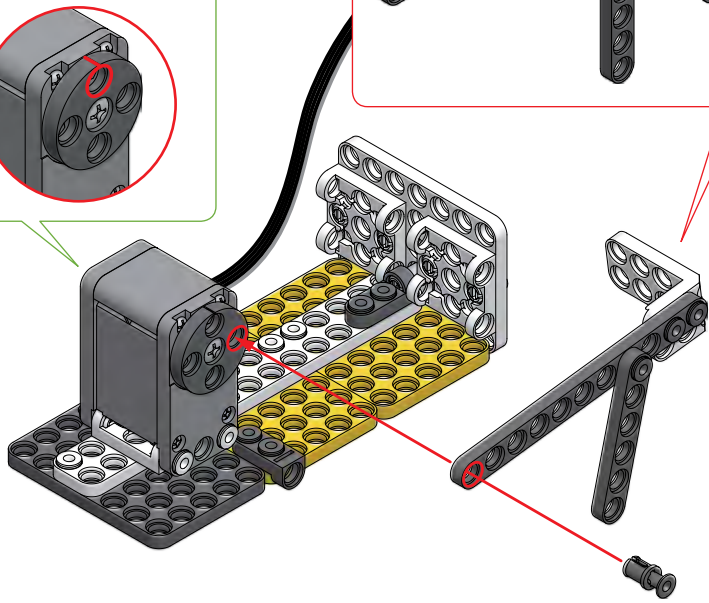
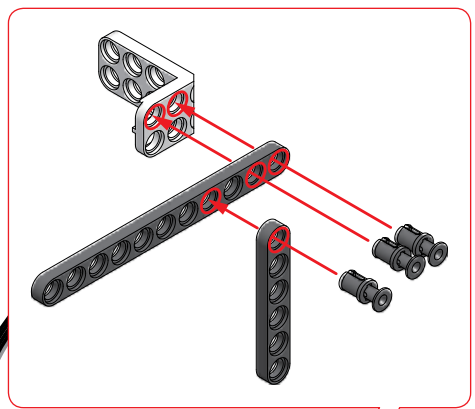
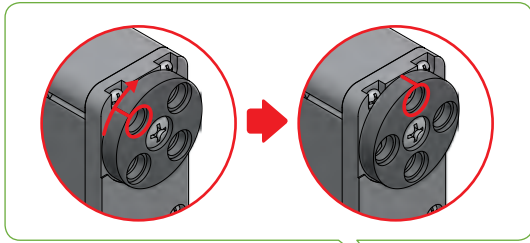
6

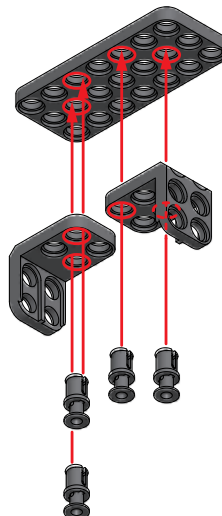
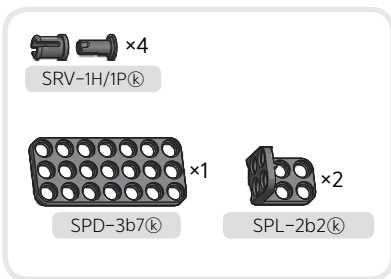
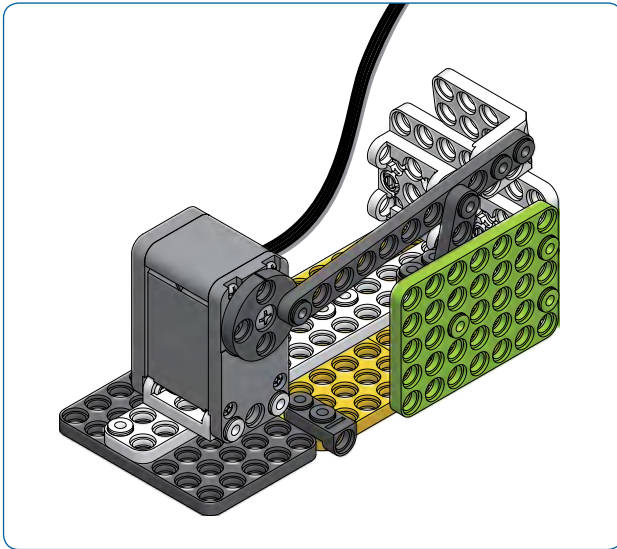
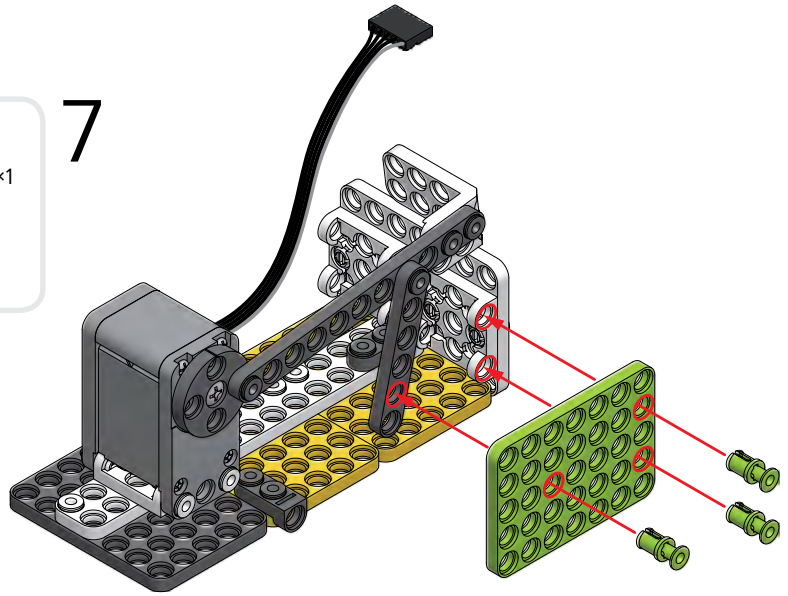
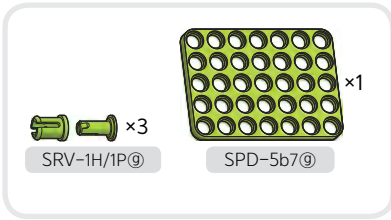


 SRV-1H/1P ×4

 SPI-1b6 ×1 SPL-2b3 ×1

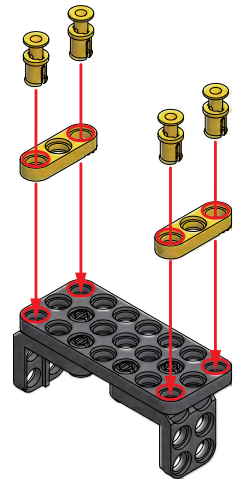
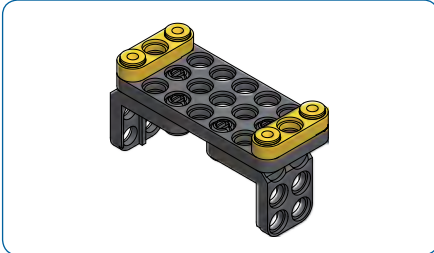
 SPI-1b11 ×1





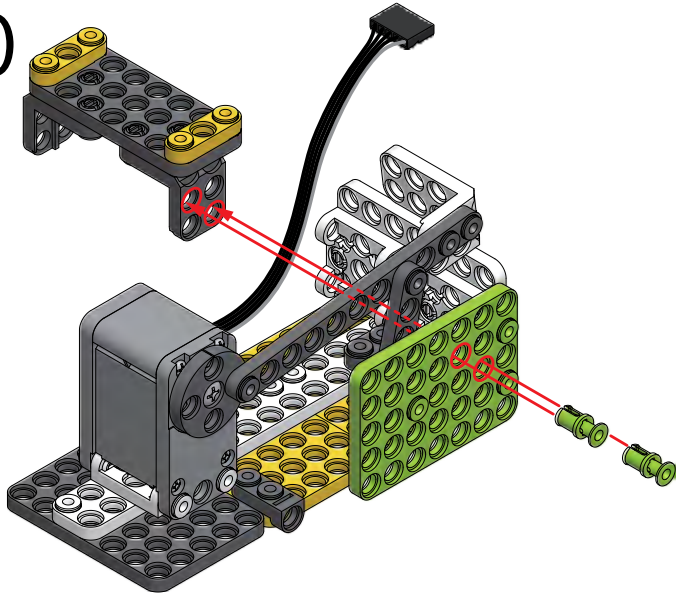
- SRV-1H/1P Ⓢ ×4
- SPJ-1b2S Ⓢ ×2

9



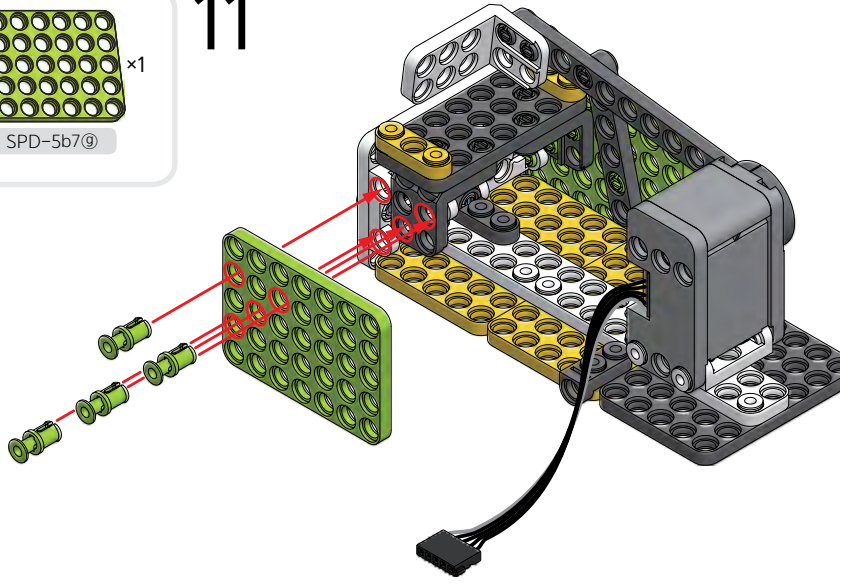
- SRV-1H/1P Ⓢ ×2


10




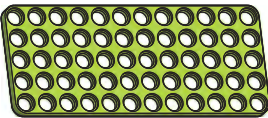
- SRV-1H/1P Ⓢ ×4
- SPD-5b7 Ⓢ ×1

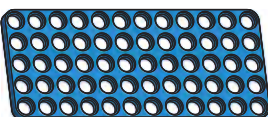
11



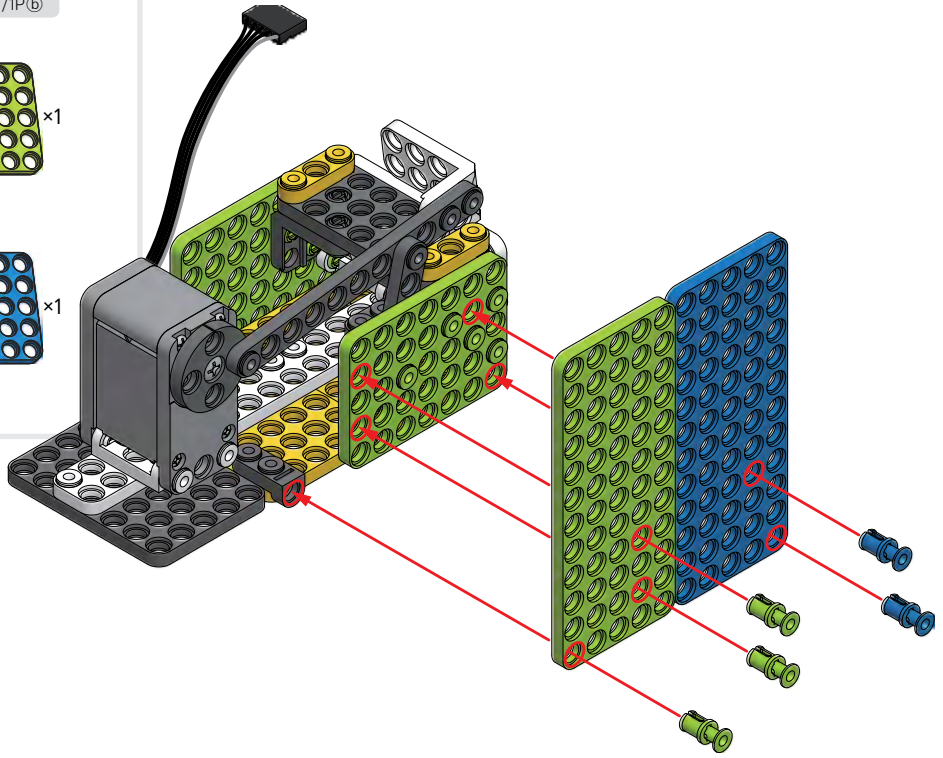
 x3
 SRV-1H/1PⓄ


 x2
 SRV-1H/1PⓄ


 x1
 SPD-5b12Ⓞ

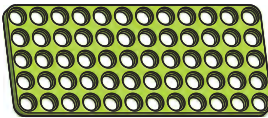
 x1
 SPD-5b12Ⓞ

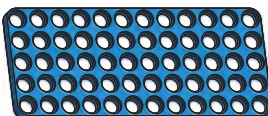
12



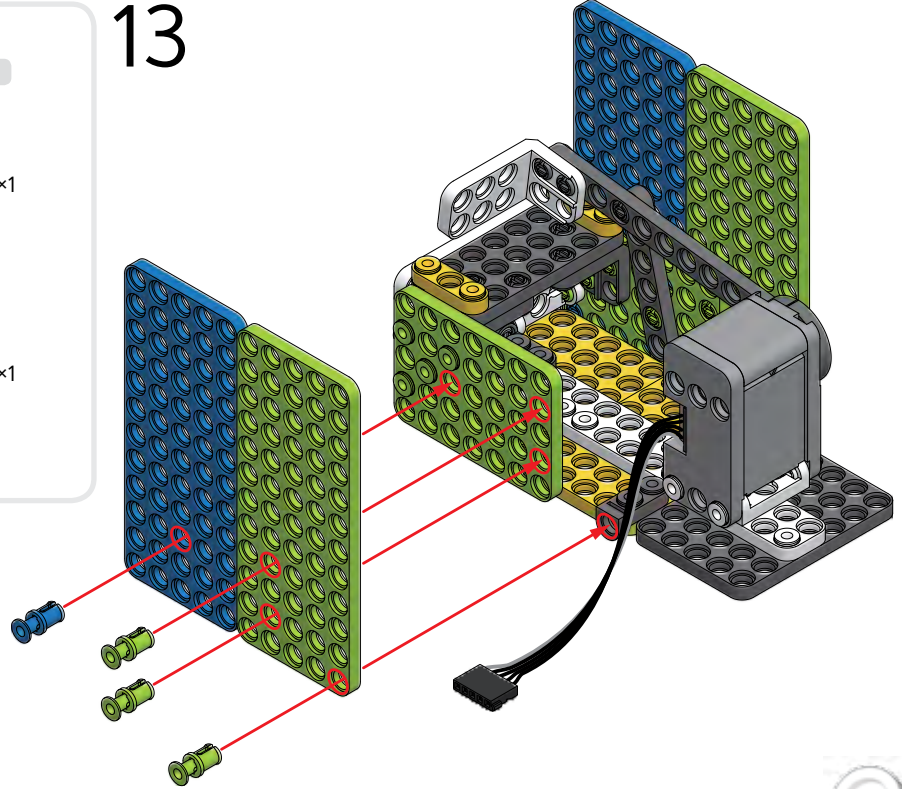
 x3
 SRV-1H/1PⓄ

 x1
 SRV-1H/1PⓄ

 x1
 SPD-5b12Ⓞ

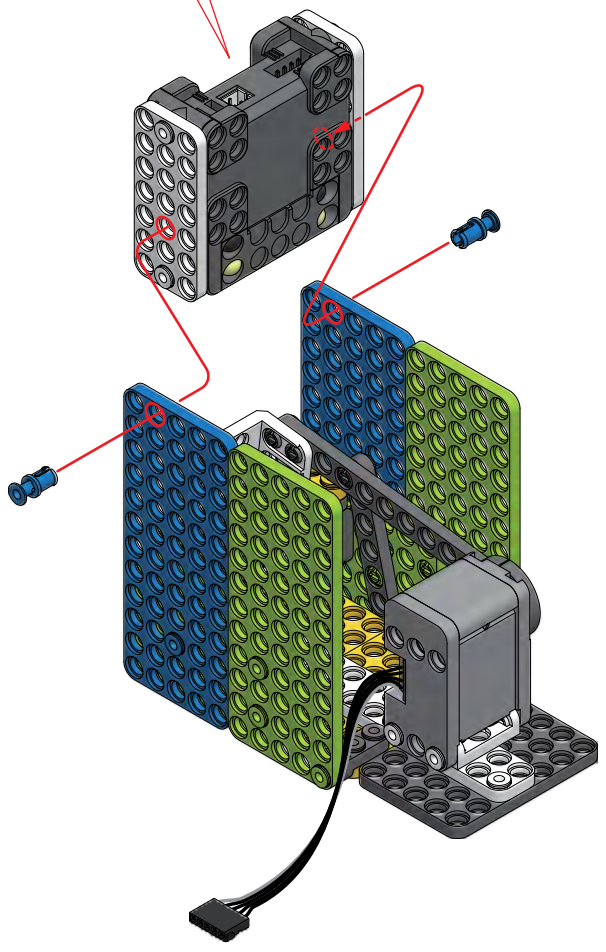
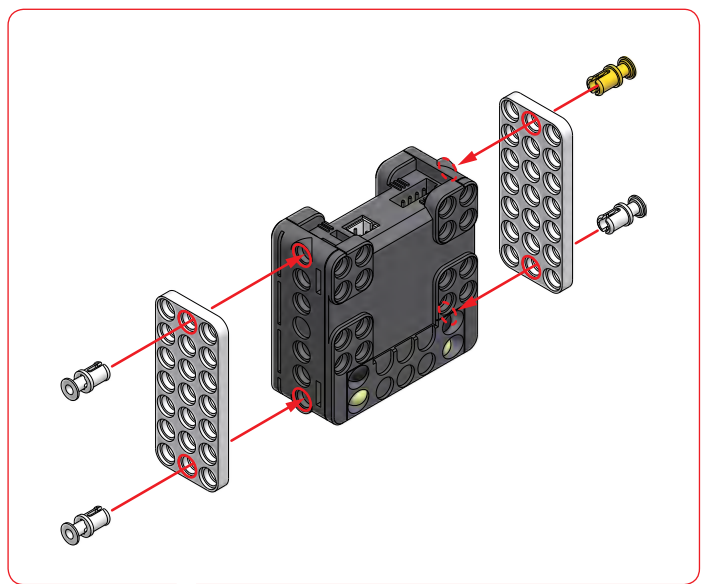
 x1
 SPD-5b12Ⓞ


13


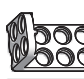


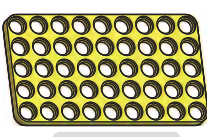
14

-  ×3
SRV-1H/1PⓂ
-  ×2
SRV-1H/1PⓄ
-  ×1
SRV-1H/1PⓅ
-  ×2
SPD-3b7Ⓜ
-  ×1
CM-150

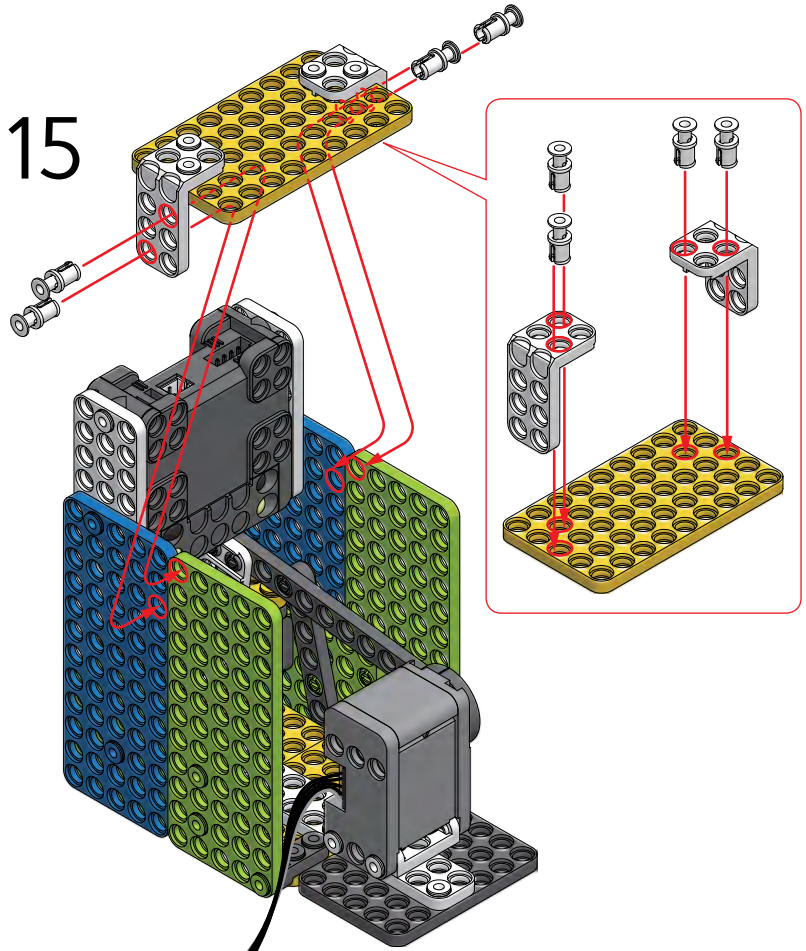



 ×8
 SRV-1H/1P

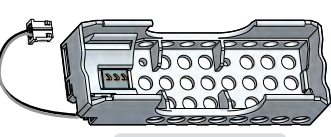
 ×1  ×1
 SPL-2b2 SPL-2b3

 ×1
 SPD-5b9

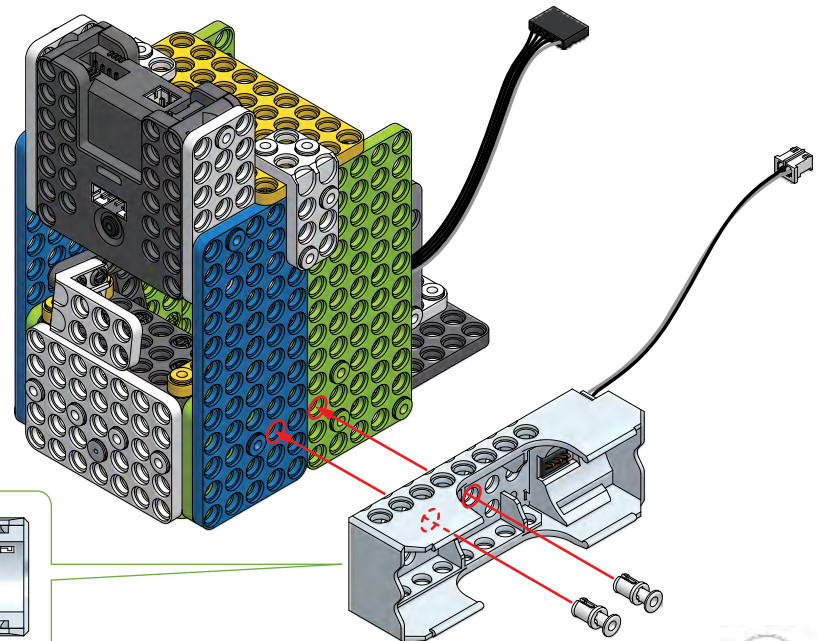
15




 ×2
 SRV-1H/1P

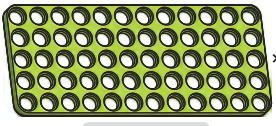
 ×1
 LBB-041

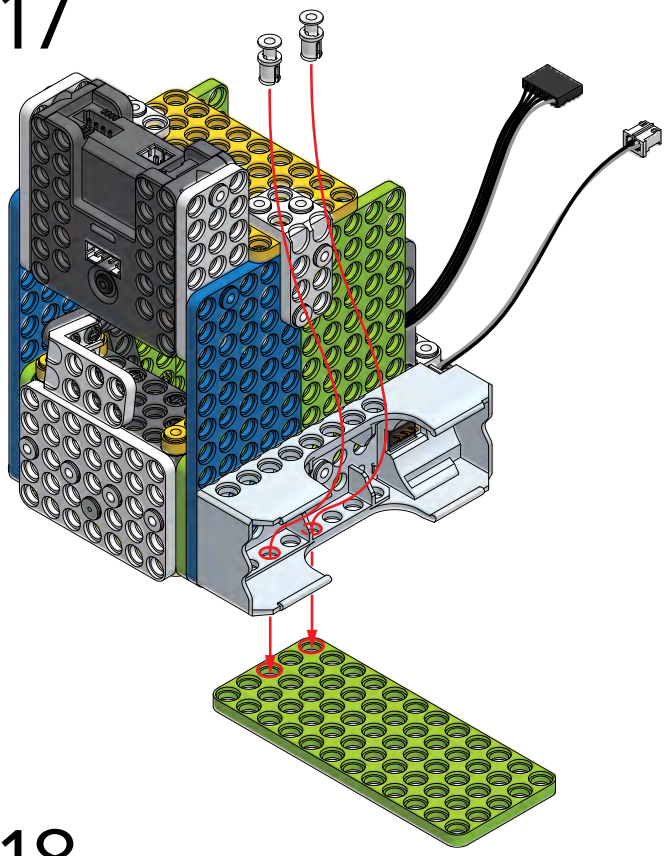
16




17


 x2
 SRV-1H/1PⓂ

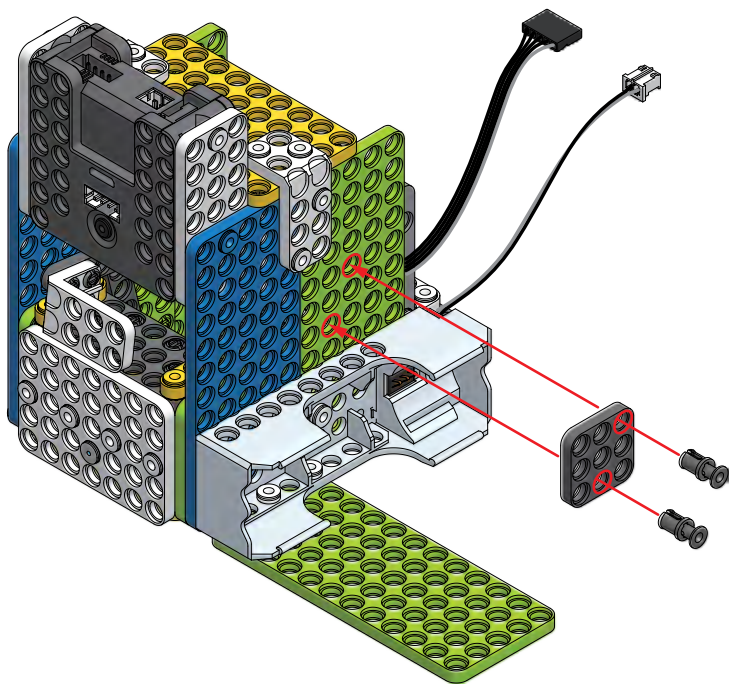
 x1
 SPD-5b12Ⓞ



18

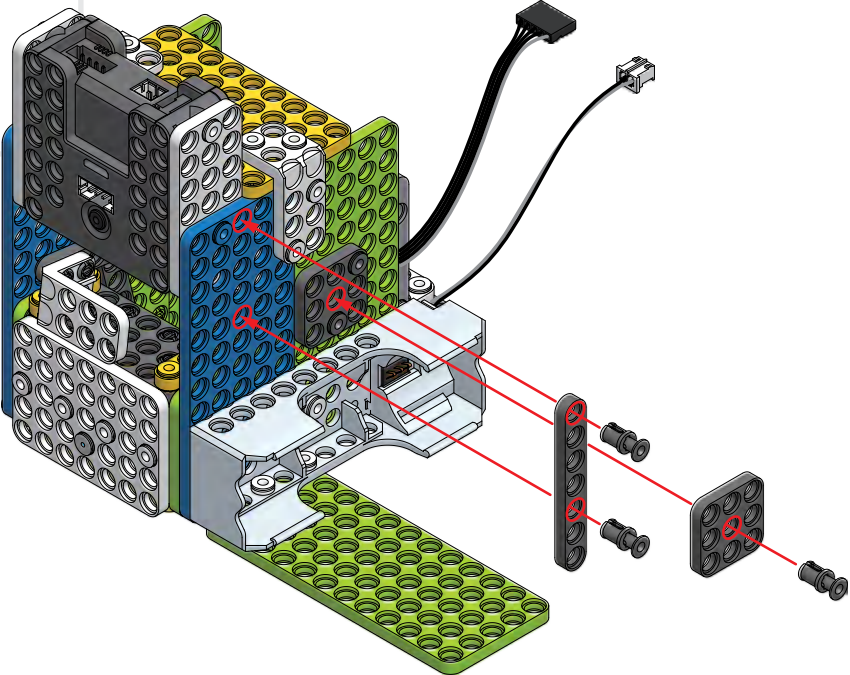
 x2
 SRV-1H/1PⓂ

 x1
 SPD-3b3Ⓞ



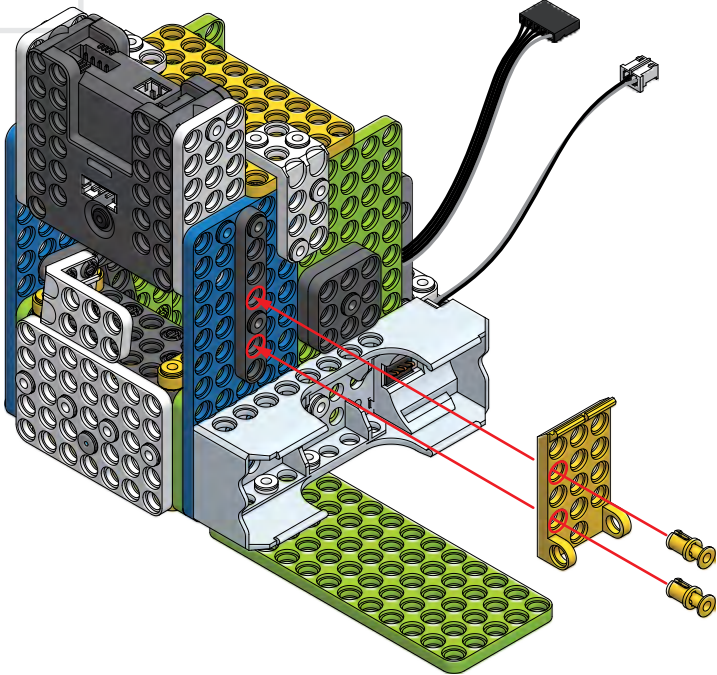
- SRV-1H/1P (K) x3
- SPI-1b7 (K) x1
- SPD-3b3 (K) x1

19



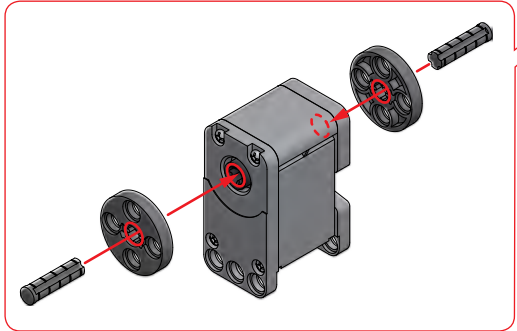
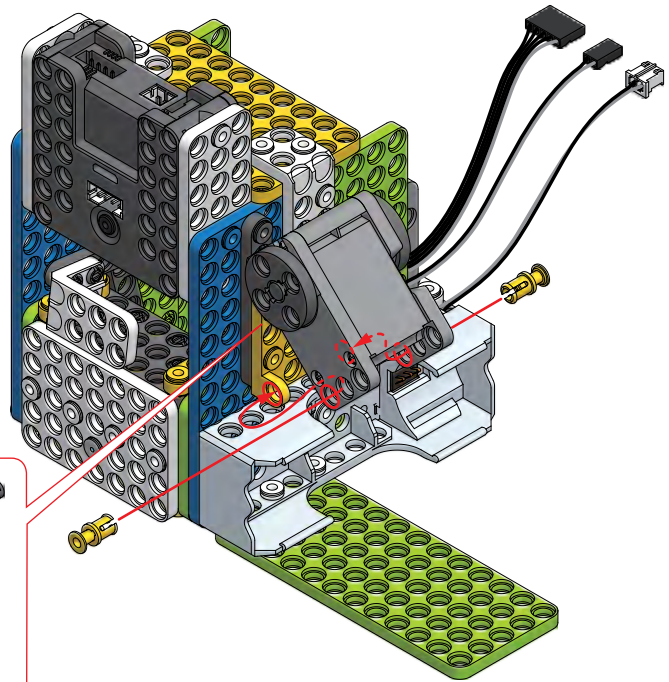
- SRV-1H/1P (Y) x2
- SPY-3b4 (Y) x1

20



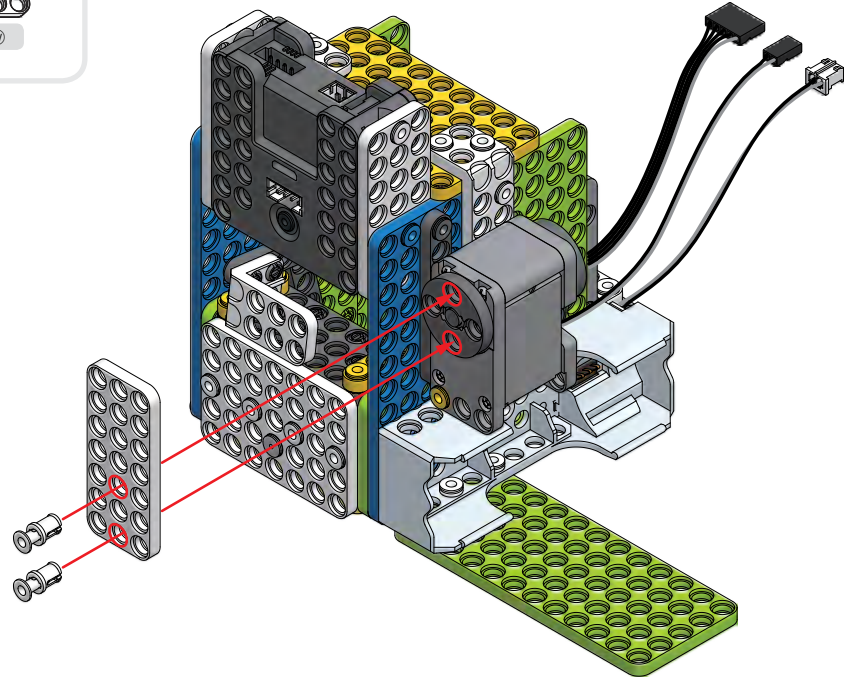
21

- SRV-1H/1P Ⓞ ×2
- SI-15 Ⓞ ×2
- GM ×1
- SPO-4HC Ⓞ ×2



22

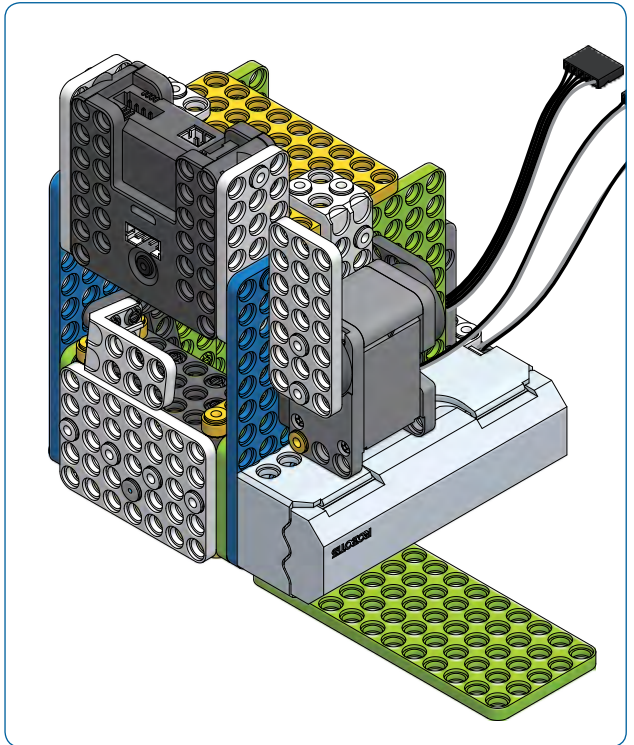
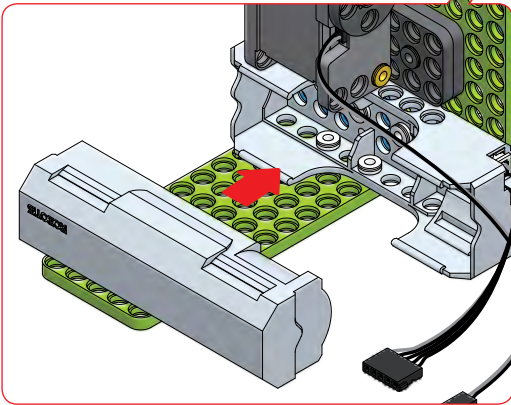
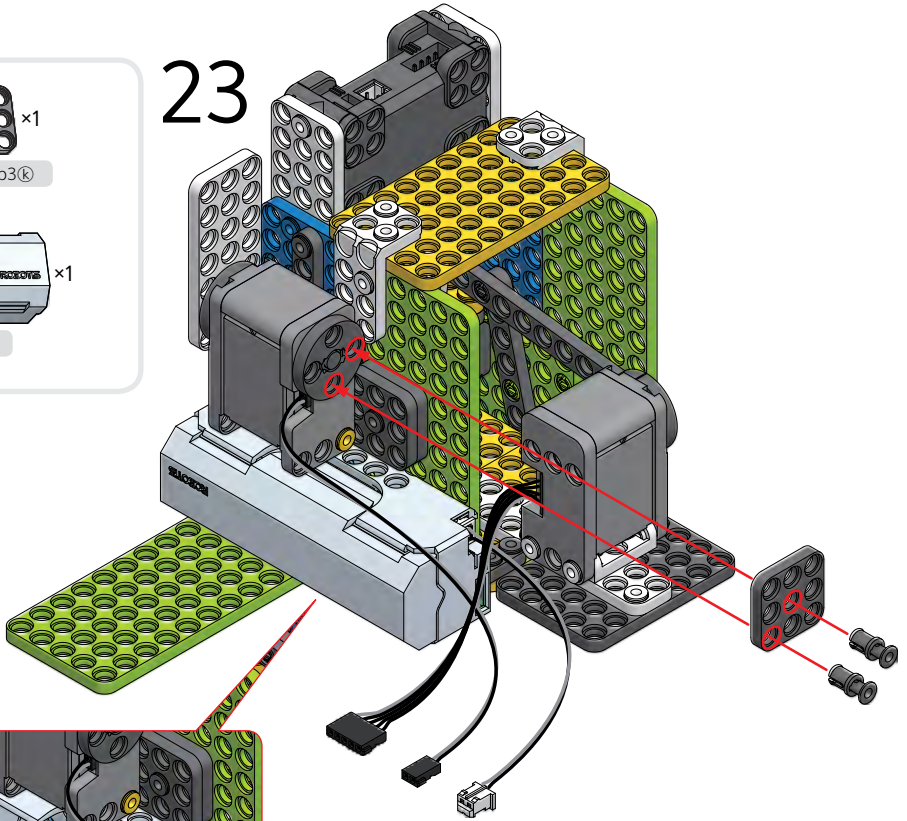
- SRV-1H/1P Ⓞ ×2
- SPD-3b7 Ⓞ ×1





23


SRV-1H/1P (x2) SPD-3b3 (x1)

LB-041 (x1)

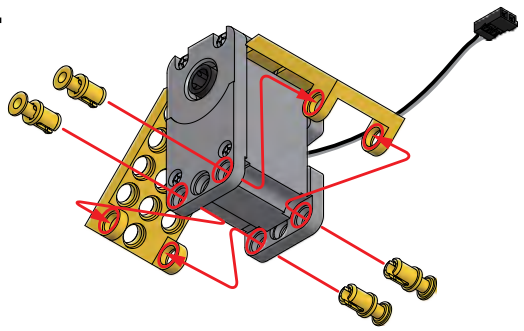



 x4
 SRV-1H/1P (Y)


 x2
 SPY-3b4 (Y)

 x1
 GM

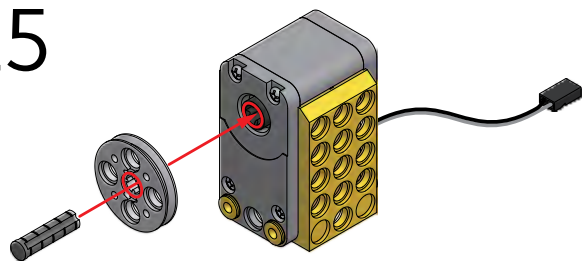
24





 x1
 SPO-4PC (G)

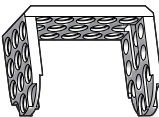
 x1
 SI-15 (K)


25



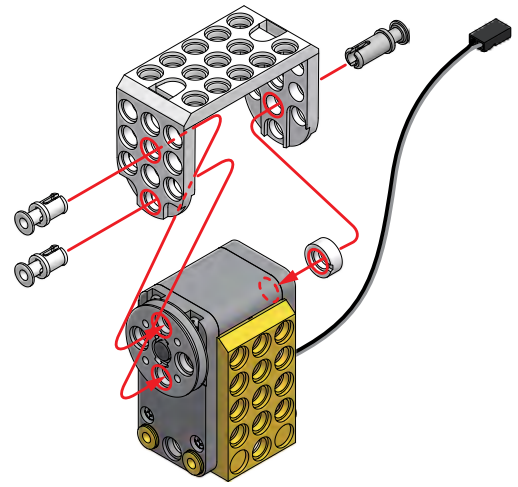
 x2
 SRV-1H/1P (W)

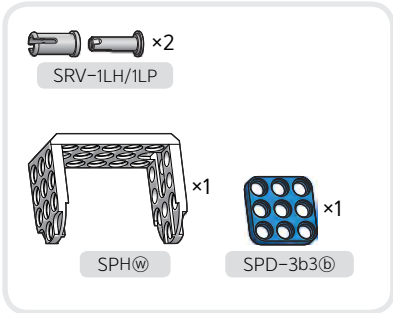
 x1
 SRV-1LH/1LP

 x1
 SPH (W)

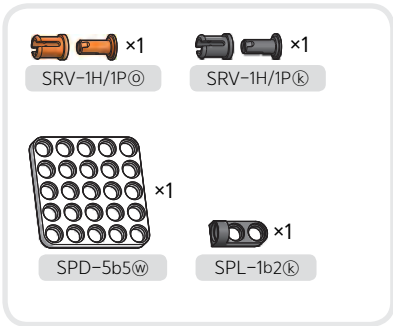
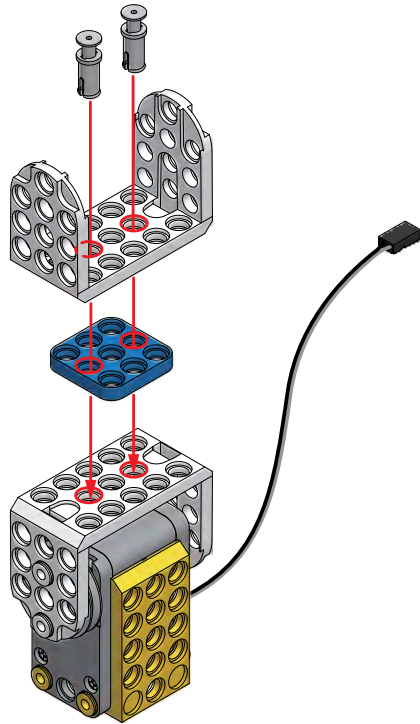
 x1
 SPO-1A (W)

26

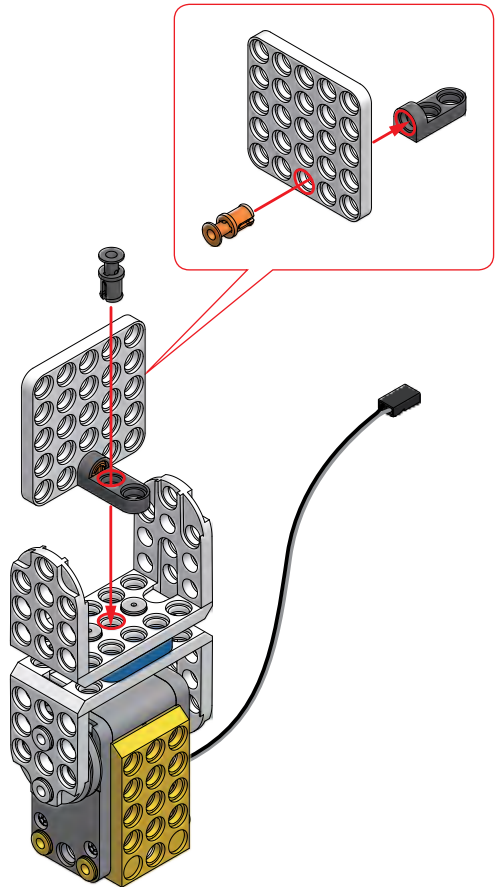




27

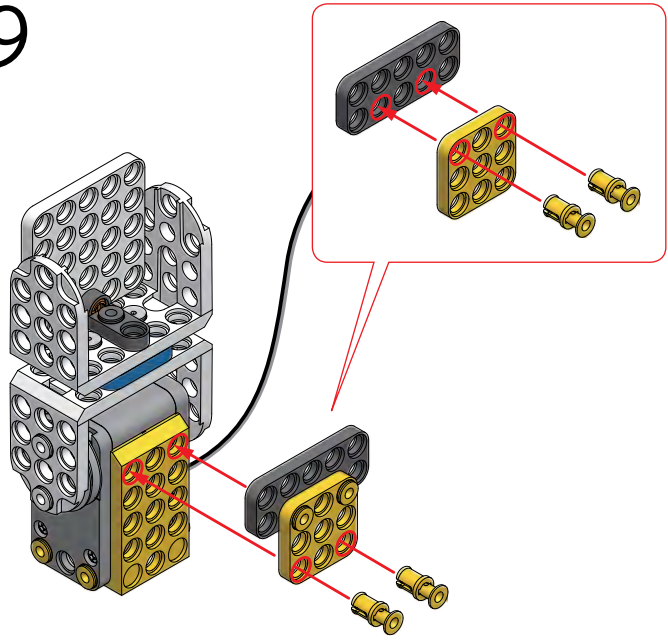


28



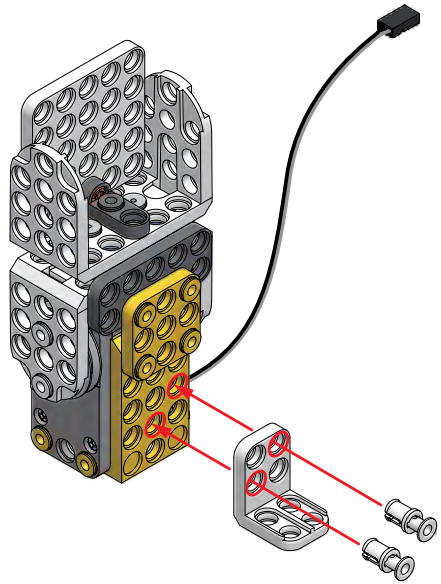
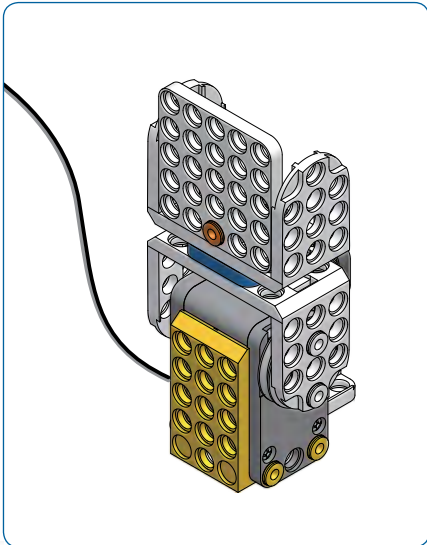
29


- SRV-1H/1P(y) x4
- SPD-2b5(k) x1
- SPD-3b3(y) x1



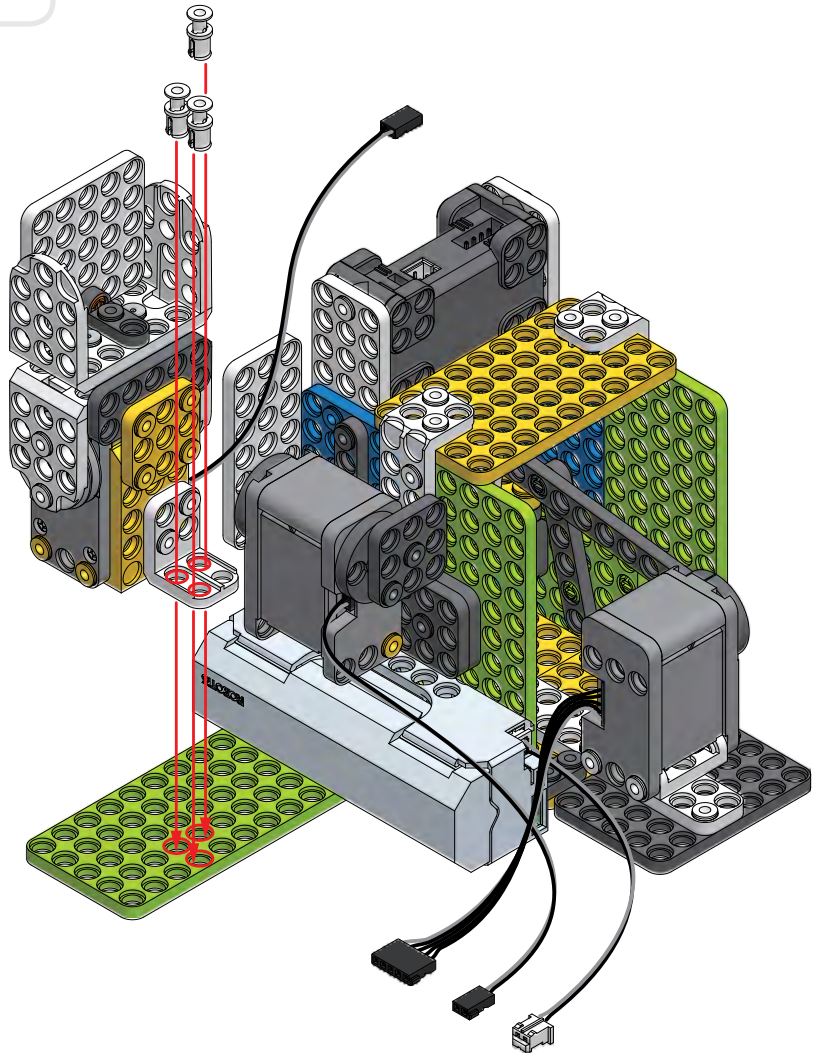
30

- SRV-1H/1P(w) x2
- SPL-2b2(w) x1

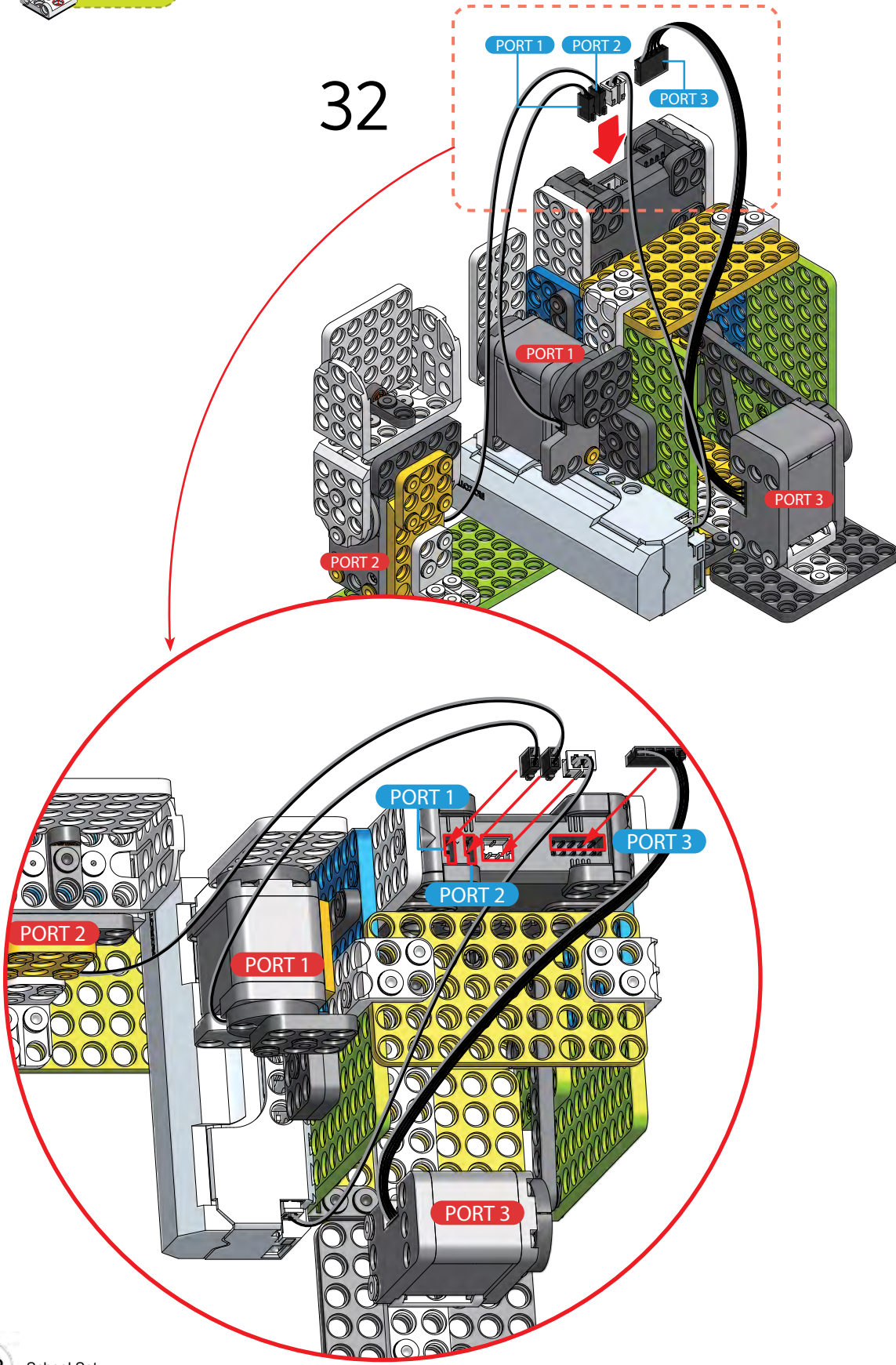


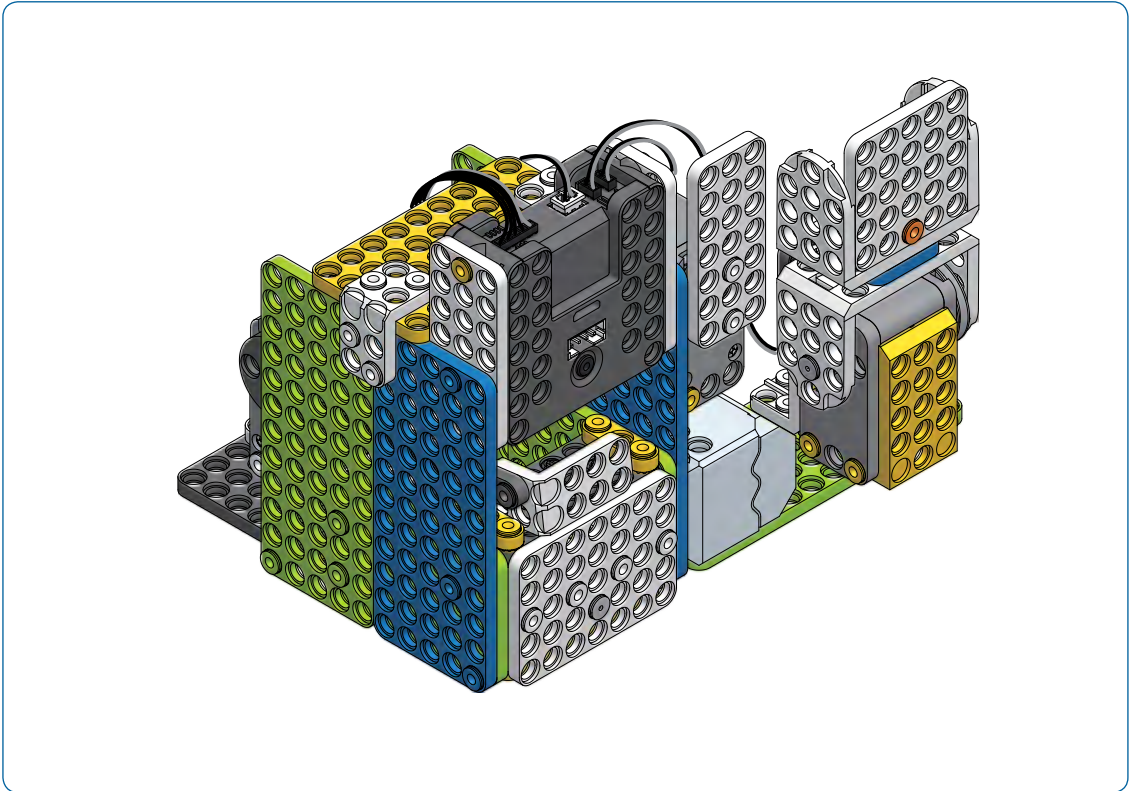
 ×3
SRV-1H/1PⓂ

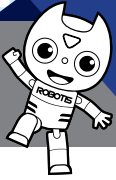
31



32







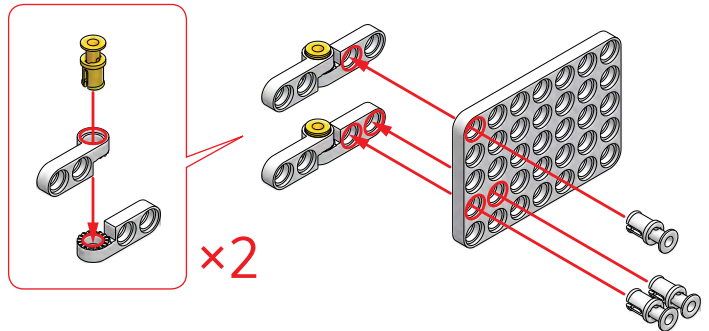
My Own Robot!

Customize the appearance to make your own unique robot.

1

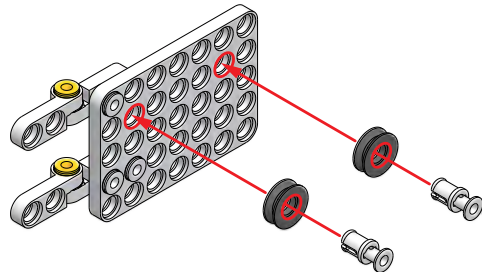
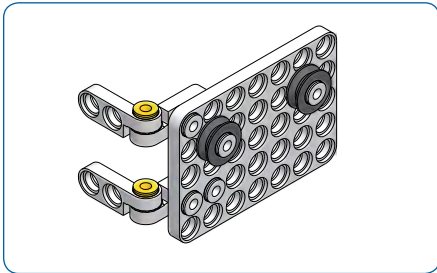
SRV-1H/1P(y) x2 SRV-1H/1P(w) x3

SPD-5b7(w) x1 SPJ-1b2L(w) x4



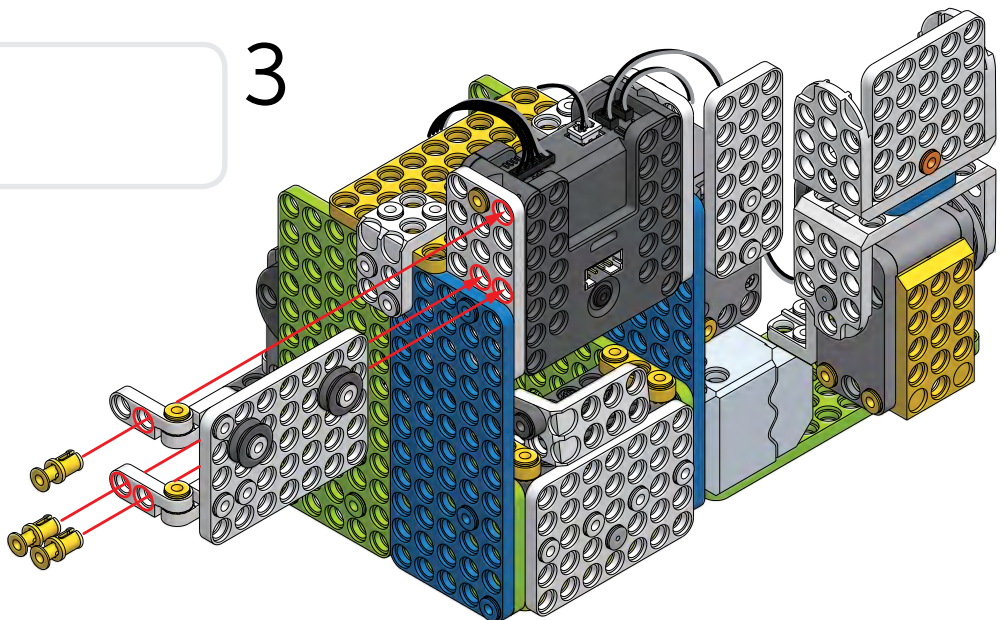
2

SRV-1H/1P(w) x2 SPO-1PR(k) x2



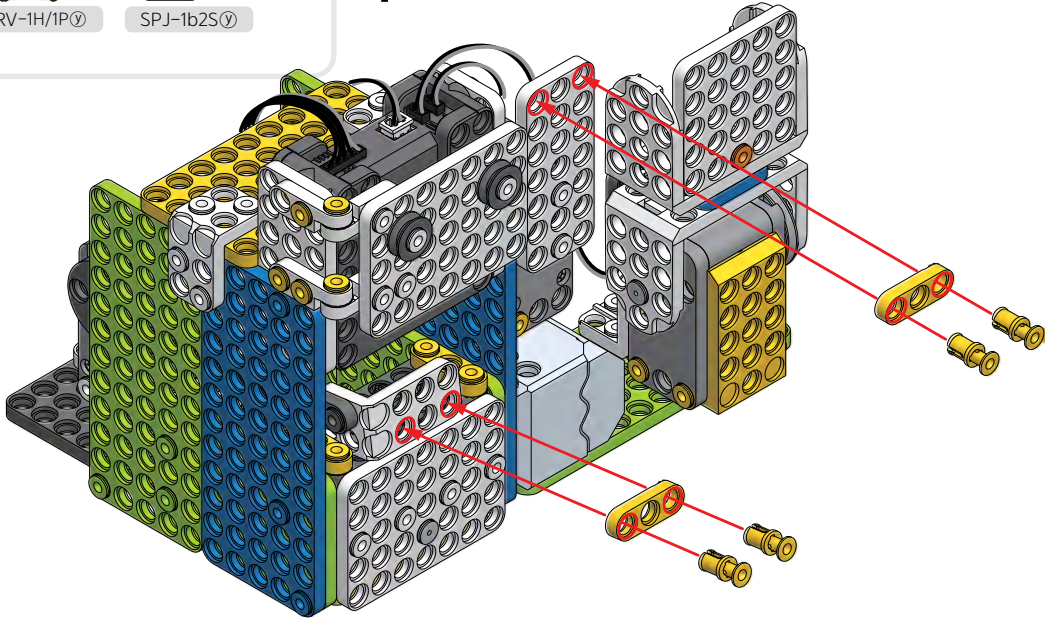
3




SRV-1H/1P(y) x3



-  ×4
-  ×2

4



-  ×2
-  ×2
-  ×1
-  ×2

5

