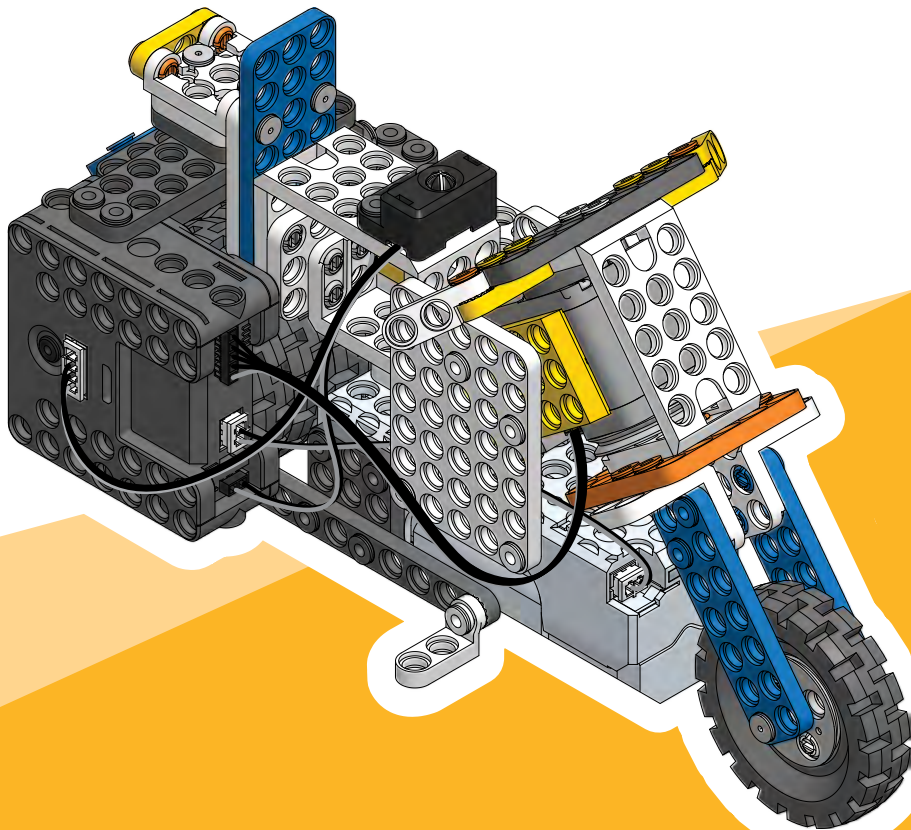
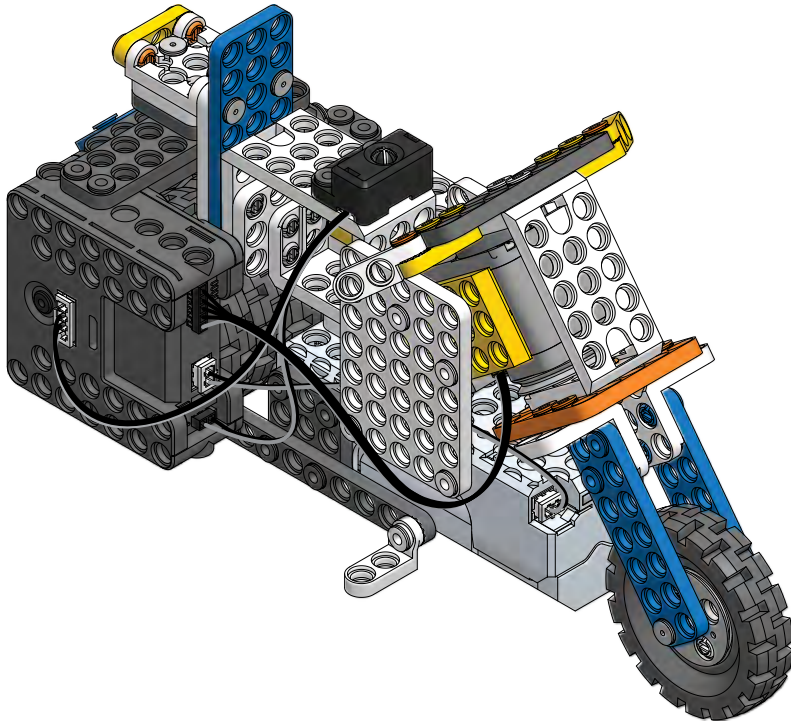


Motorcycle



Let's build!

Let's build a robot.

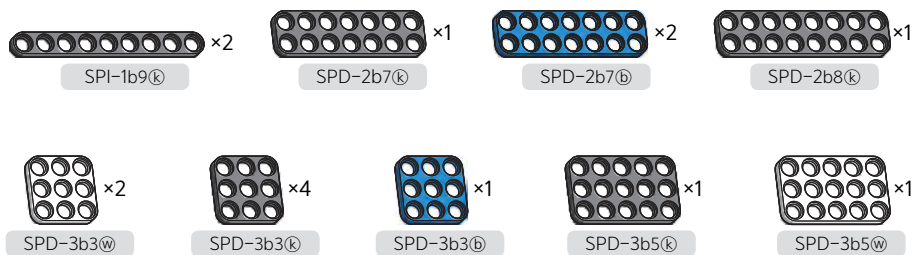


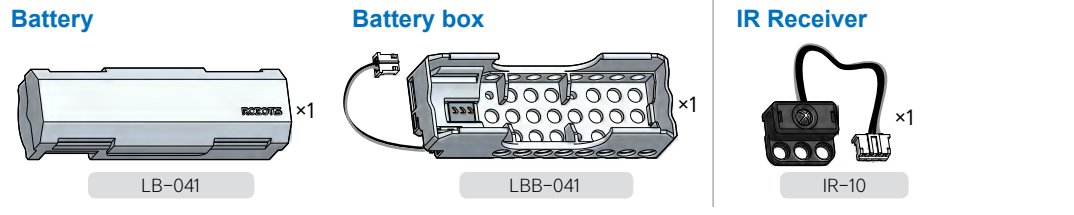
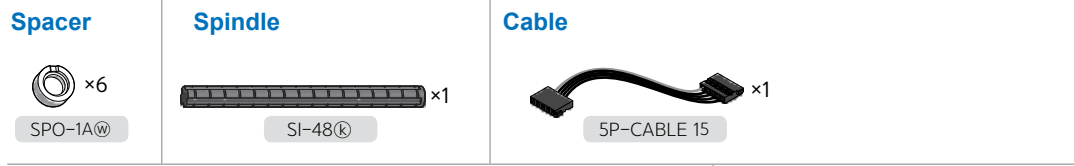
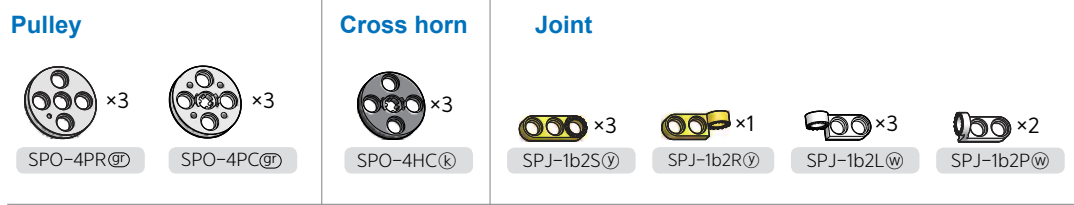
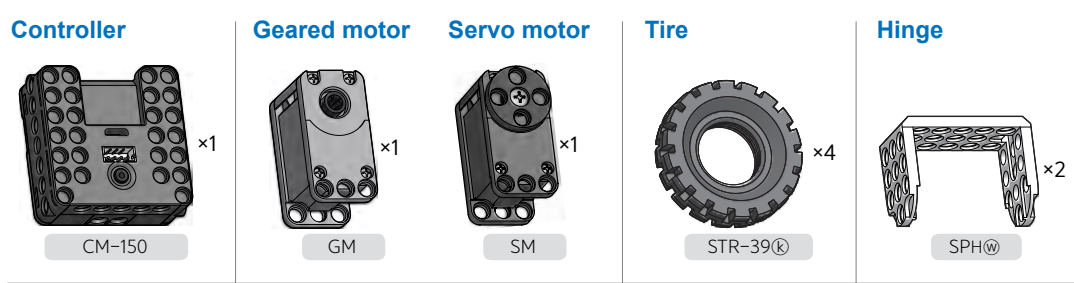
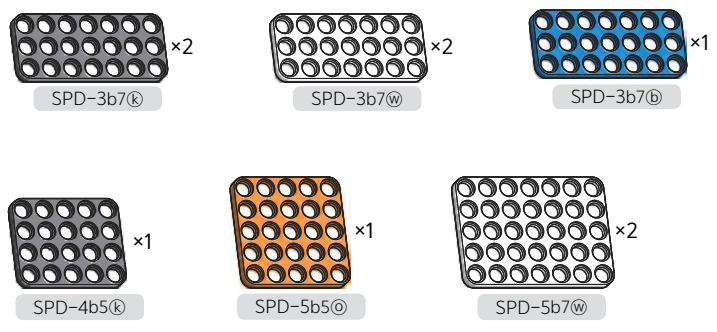
This chapter requires the following parts.

Rivet



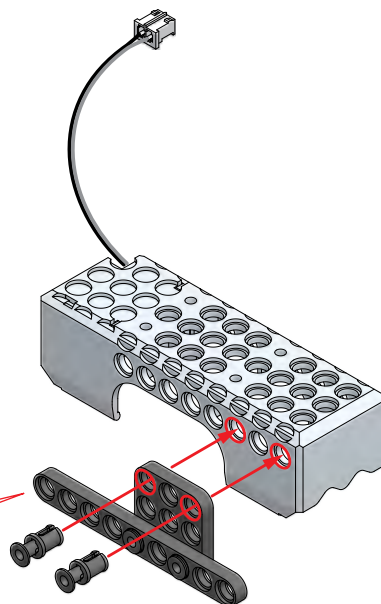
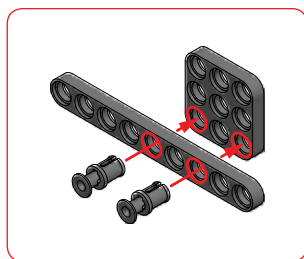
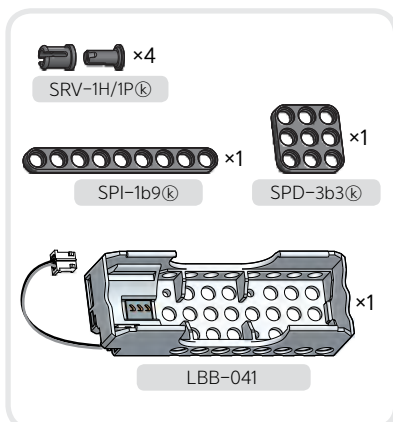
Plate



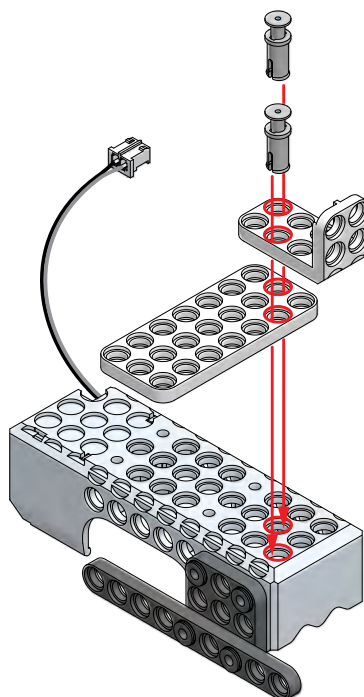
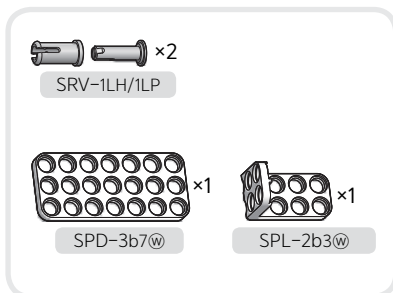


Building the motorcycle



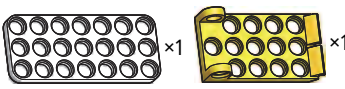
1

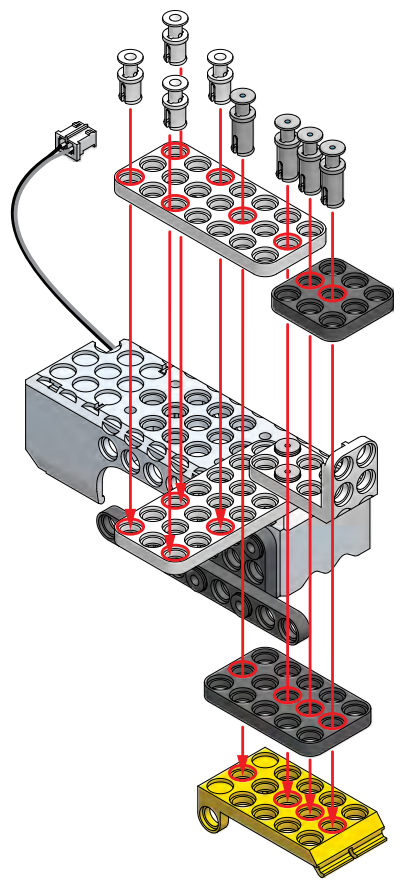


2


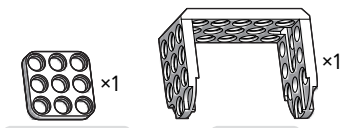


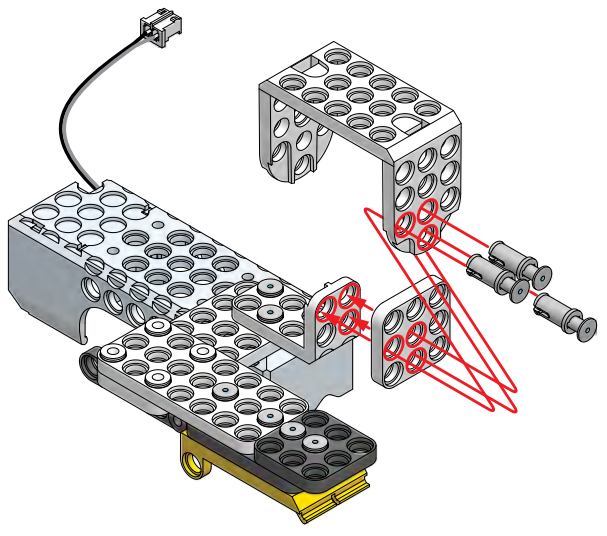
3

-  ×4 ×4
- SRV-1H/1P Ⓜ SRV-1LH/1LP
-  ×1 ×1
- SPD-3b3 Ⓜ SPD-3b5 Ⓜ
-  ×1 ×1
- SPD-3b7 Ⓜ SPY-3b4 Ⓜ



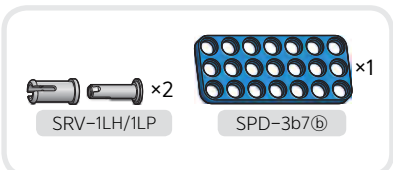
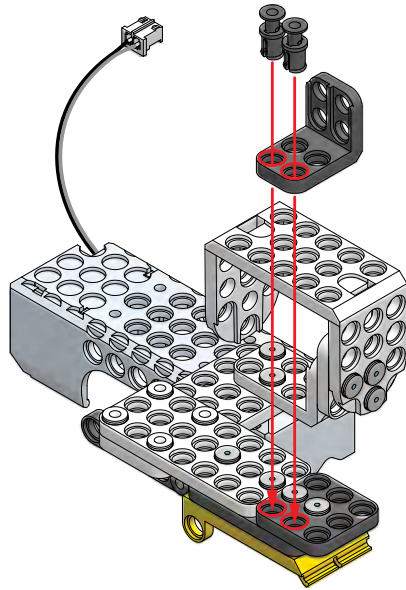
4

-  ×3
- SRV-1LH/1LP
-  ×1 ×1
- SPD-3b3 Ⓜ SPH Ⓜ

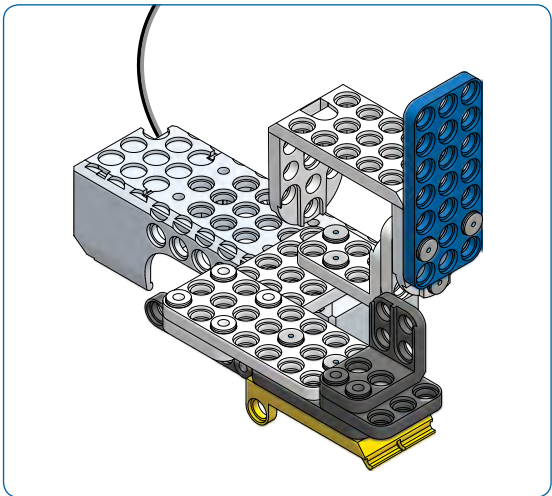
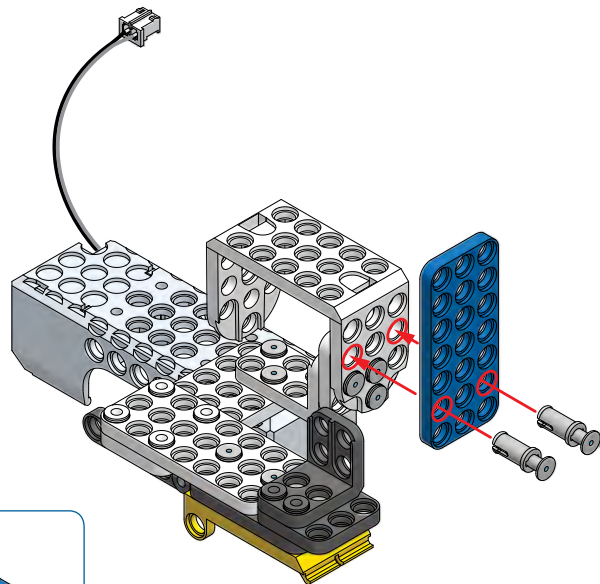




5



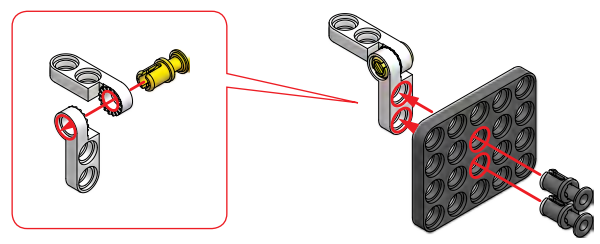
6



7

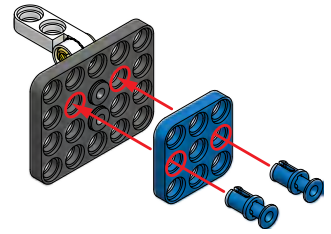
SRV-1H/1P (V) x1 SRV-1H/1P (R) x2

SPD-4b5 (R) x1 SPJ-1b2L (W) x2



8

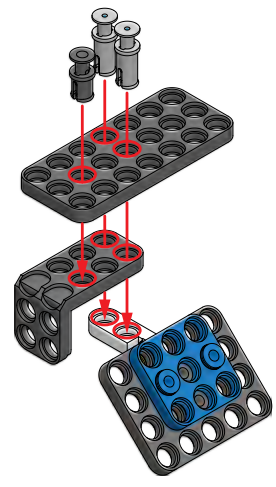
SRV-1H/1P (R) x2 SPD-3b3 (B) x1



9

SRV-1LH/1LP x2 SRV-1H/1P (R) x1

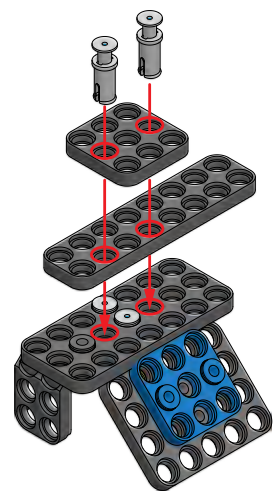
SPD-3b7 (R) x1 SPL-2b3 (R) x1

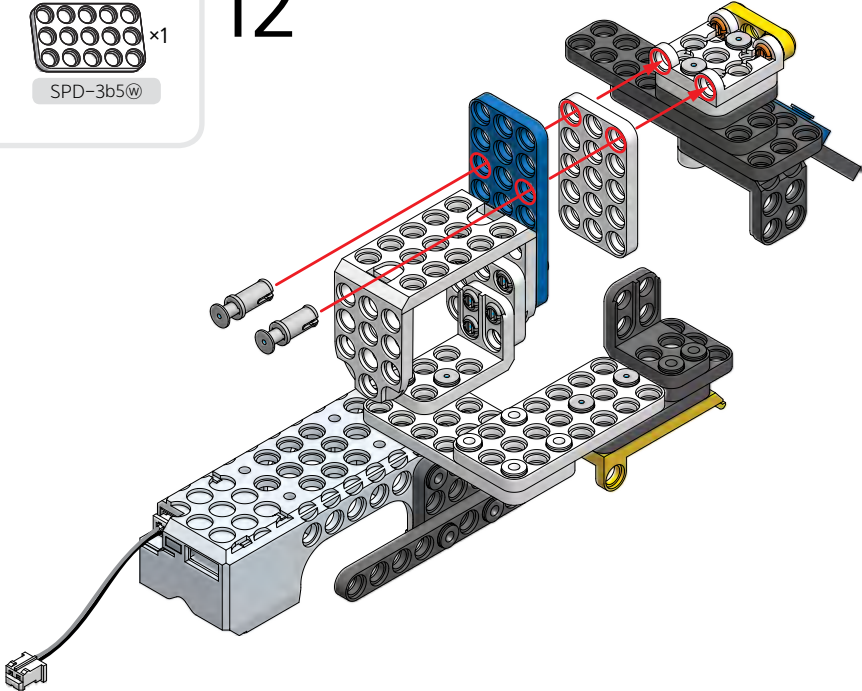
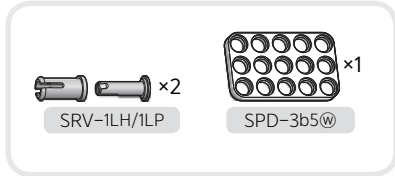
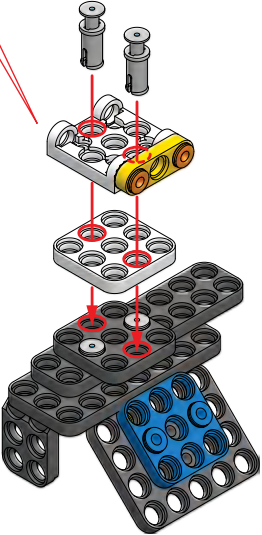
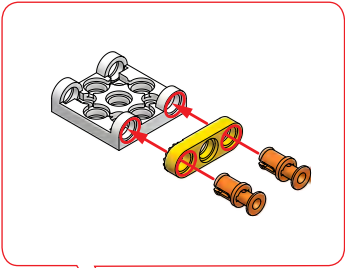


10

SRV-1LH/1LP x2

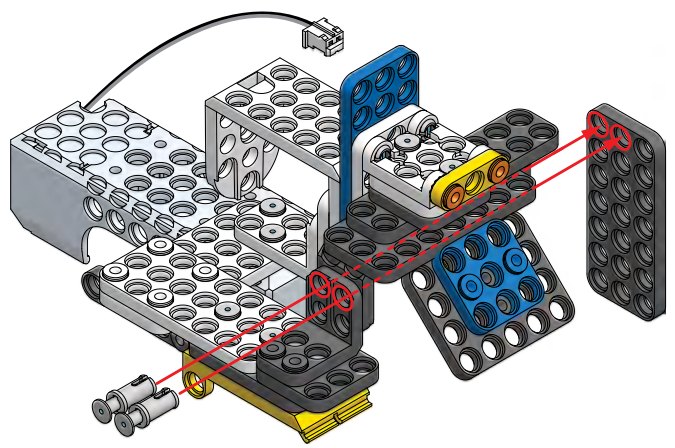
SPD-2b8 (R) x1 SPD-3b3 (B) x1





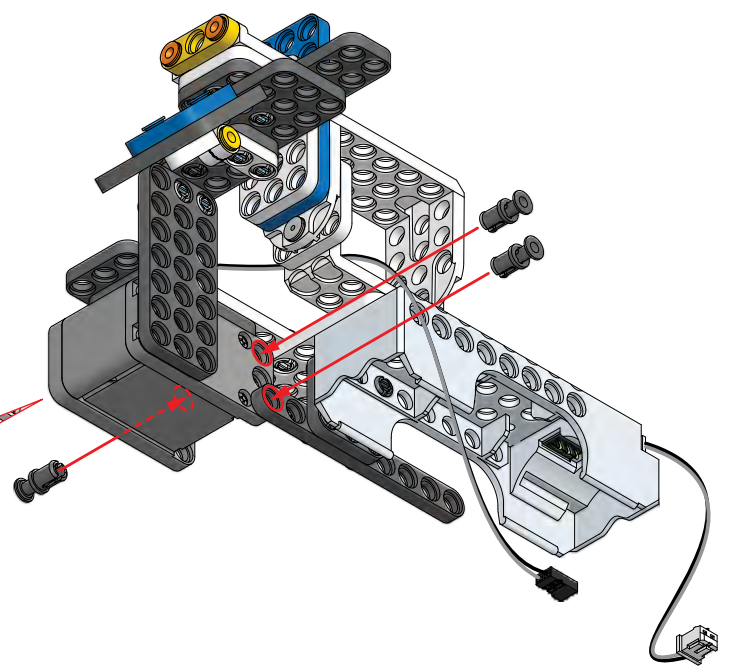
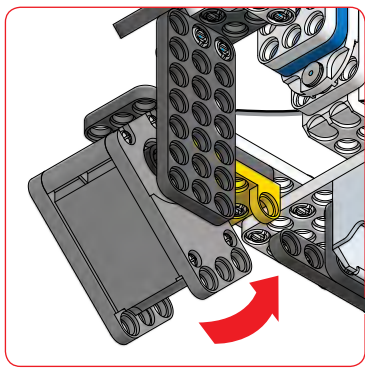
13

SRV-1LH/ILP x2
SPD-3b7Ⓜ x1

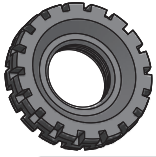


14

SRV-1H/1PⓂ x3
GM x1



15



x3

STR-39(k)



x3

SPO-4PC(σ)



x4

SPO-1A(w)



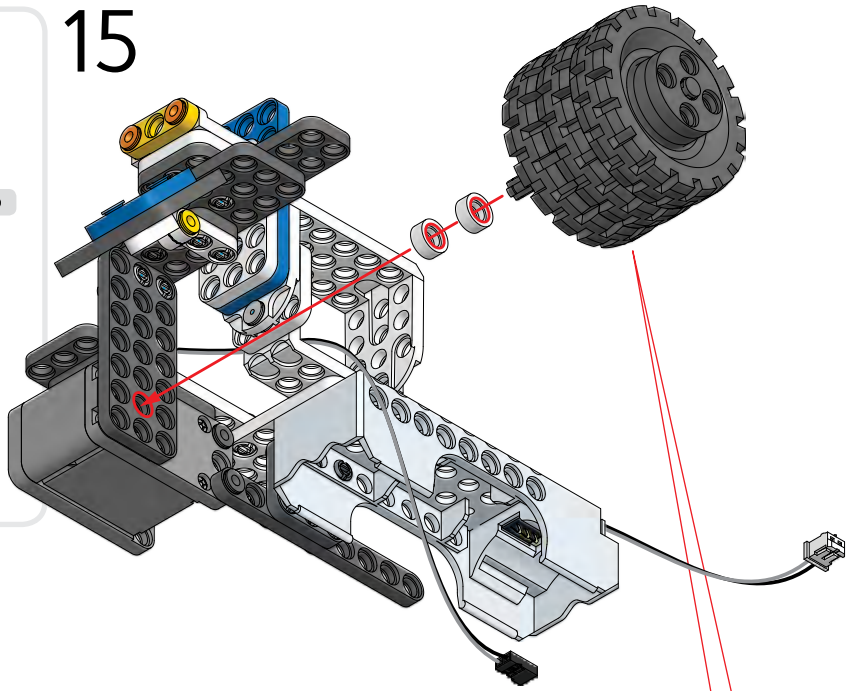
x3

SPO-4HC(σ)



x1

SI-48(σ)

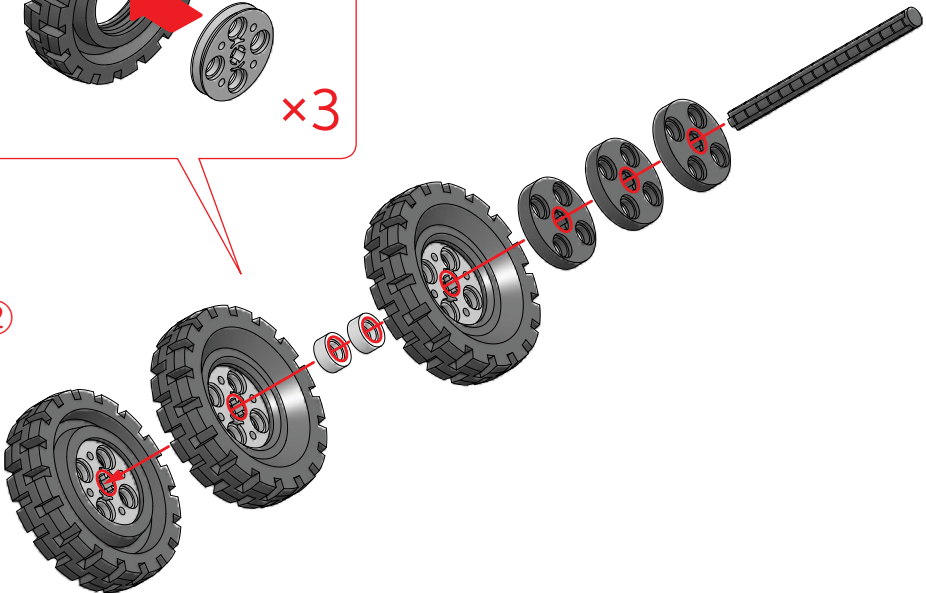


①

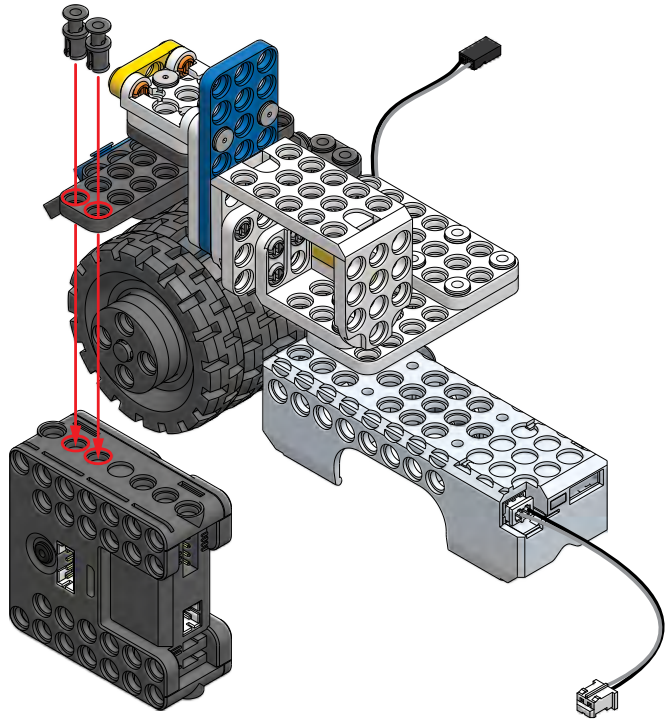


x3

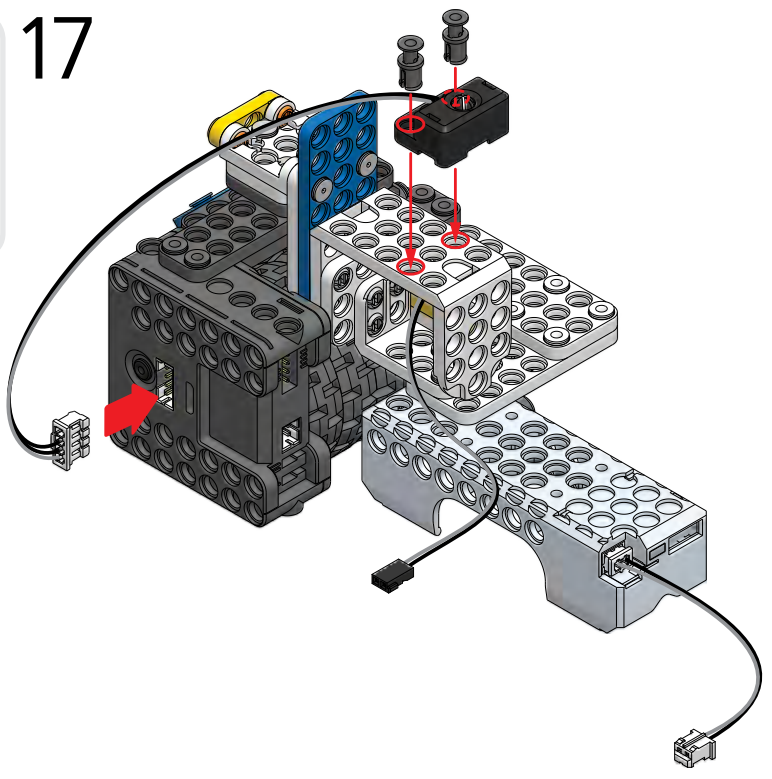
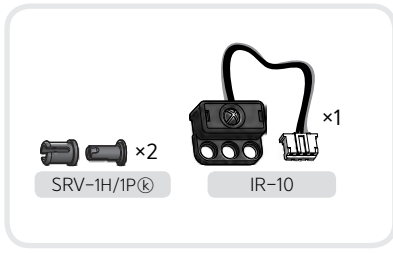
②



16

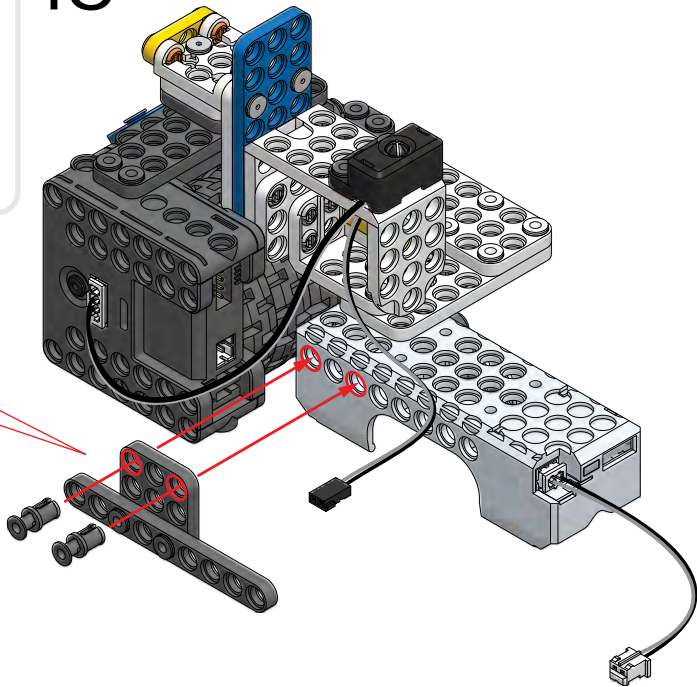
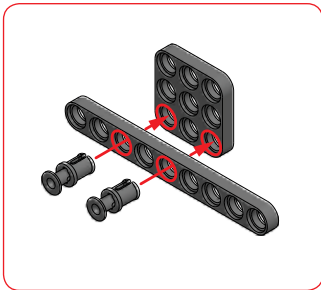


17



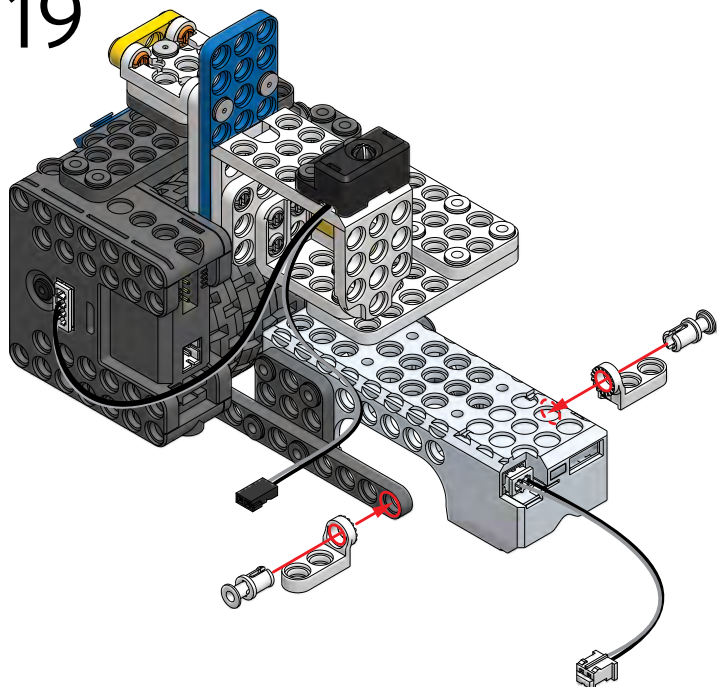
18

SRV-1H/1P (x4) SPD-3b3 (x1)
SPI-1b9 (x1)



19

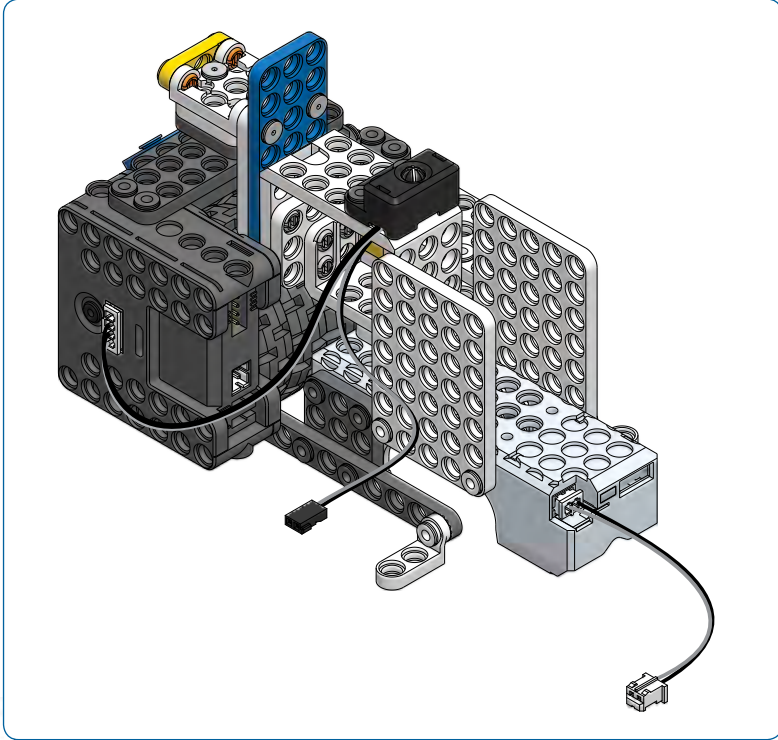
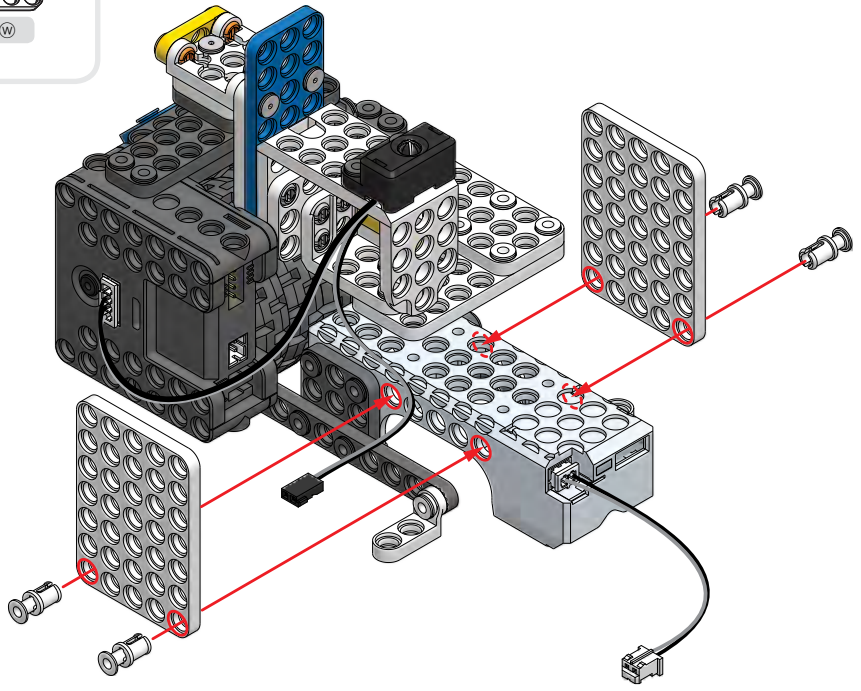
SRV-1H/1P (x2) SPJ-1b2P (x2)



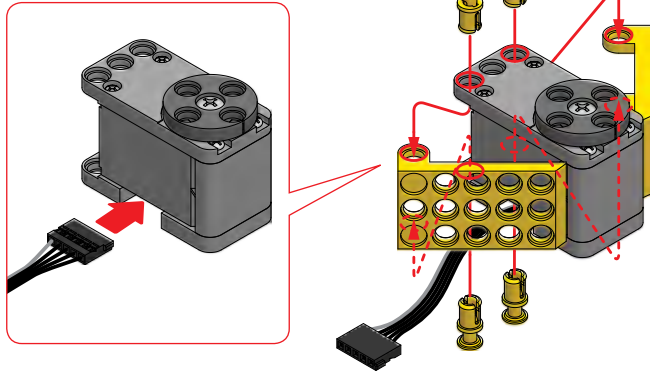
20

SRV-1H/1P Ⓜ ×4

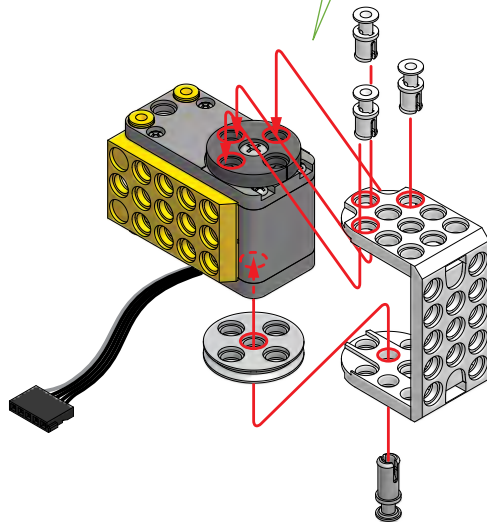
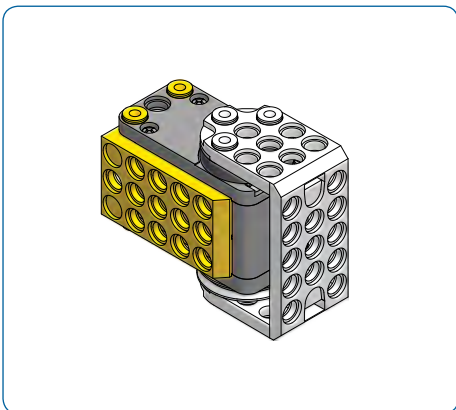
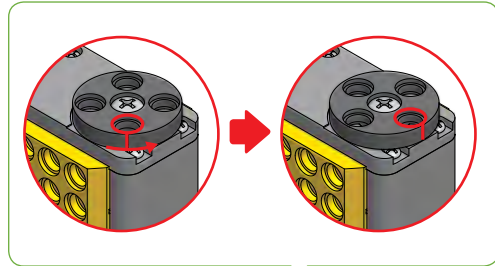
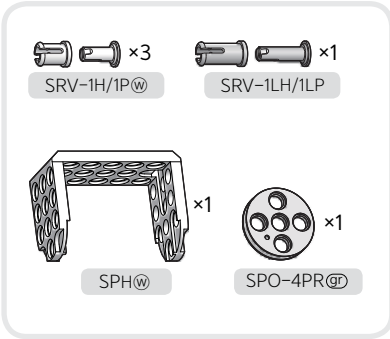
SPD-5b7 Ⓜ ×2

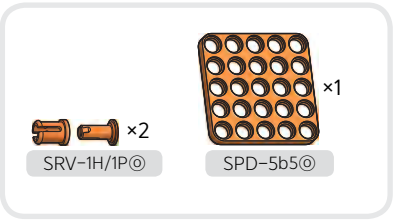


21

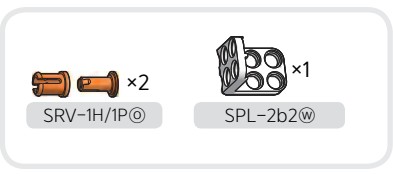
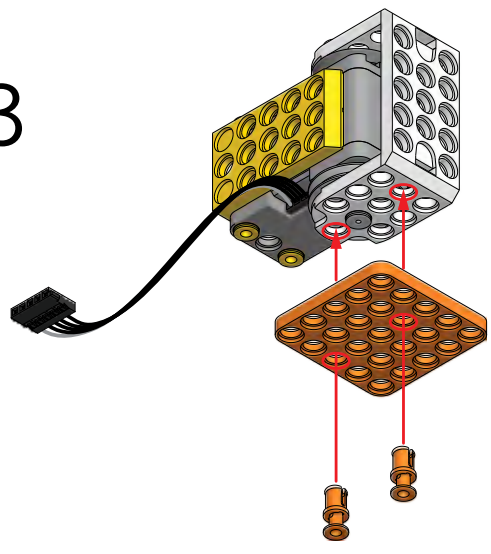


22

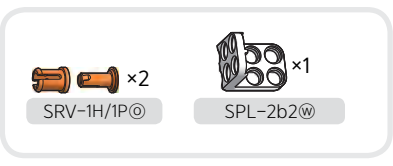
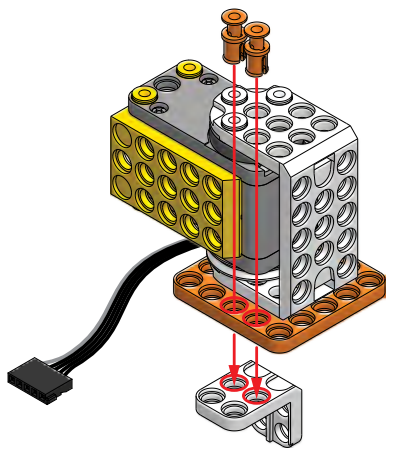




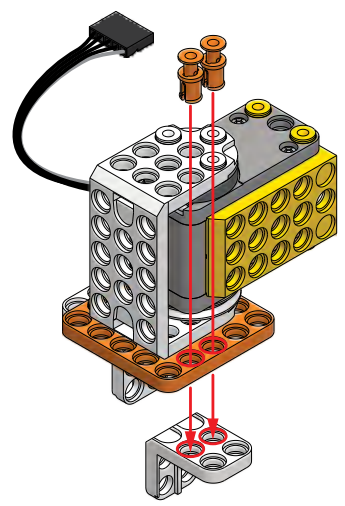
23



24

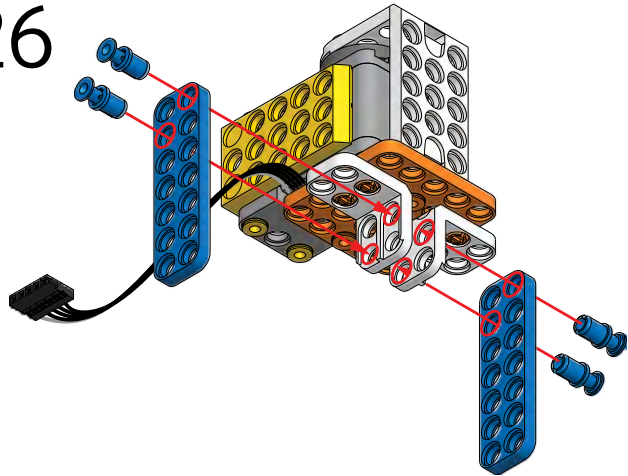


25

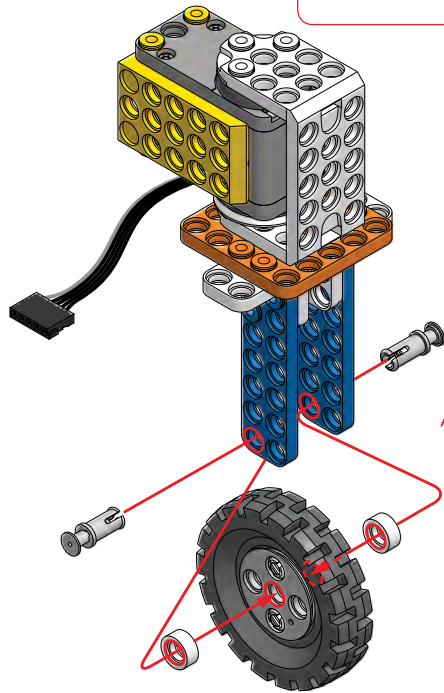
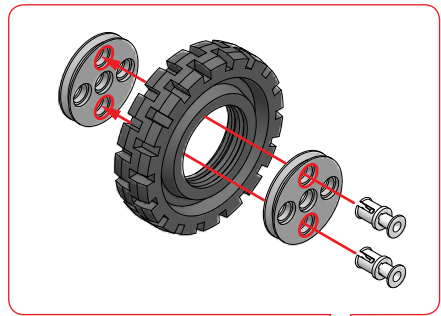











26

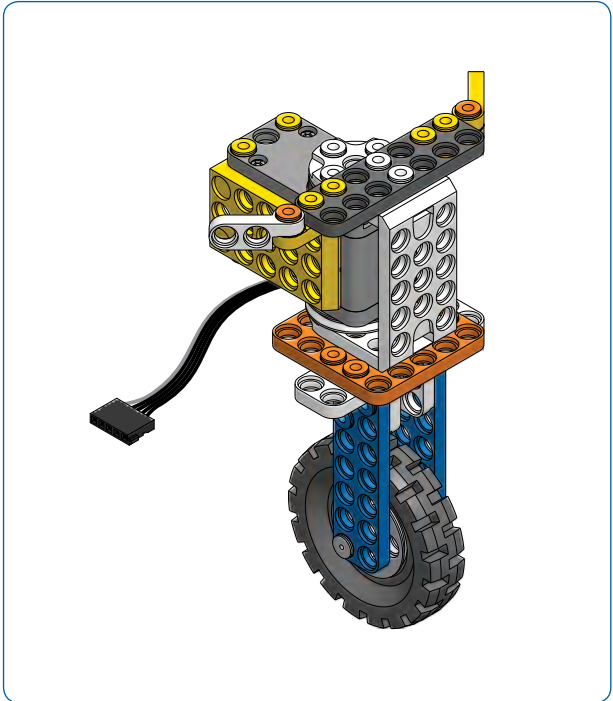
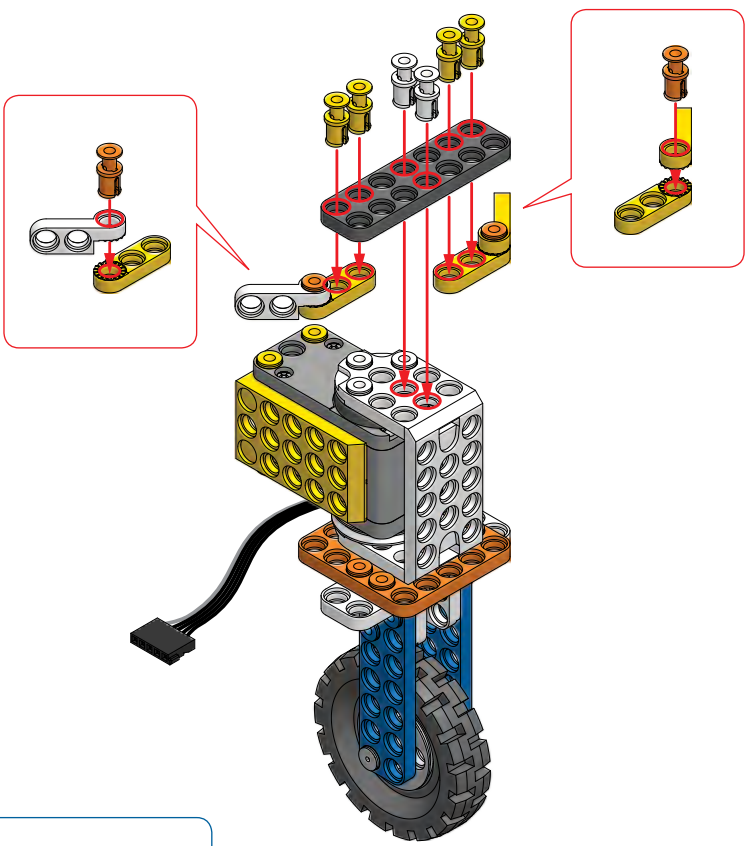


27



28

-  ×2
SRV-1H/1PⓄ
-  ×2
SRV-1H/1PⓈ
-  ×4
SRV-1H/1PⓈ
-  ×2
SPJ-1b2SⓈ
-  ×1
SPJ-1b2LⓈ
-  ×1
SPJ-1b2RⓈ
-  ×1
SPD-2b7Ⓢ



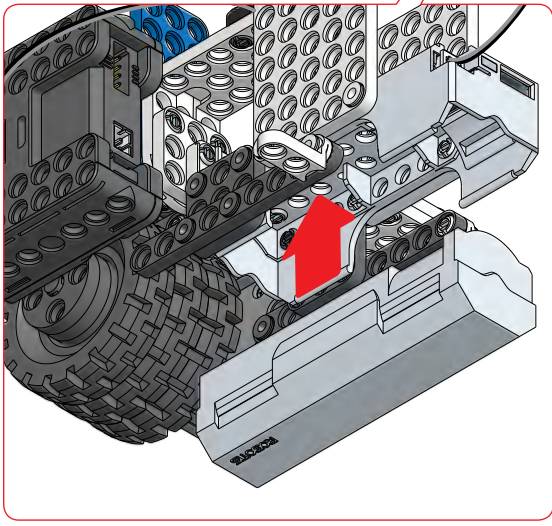
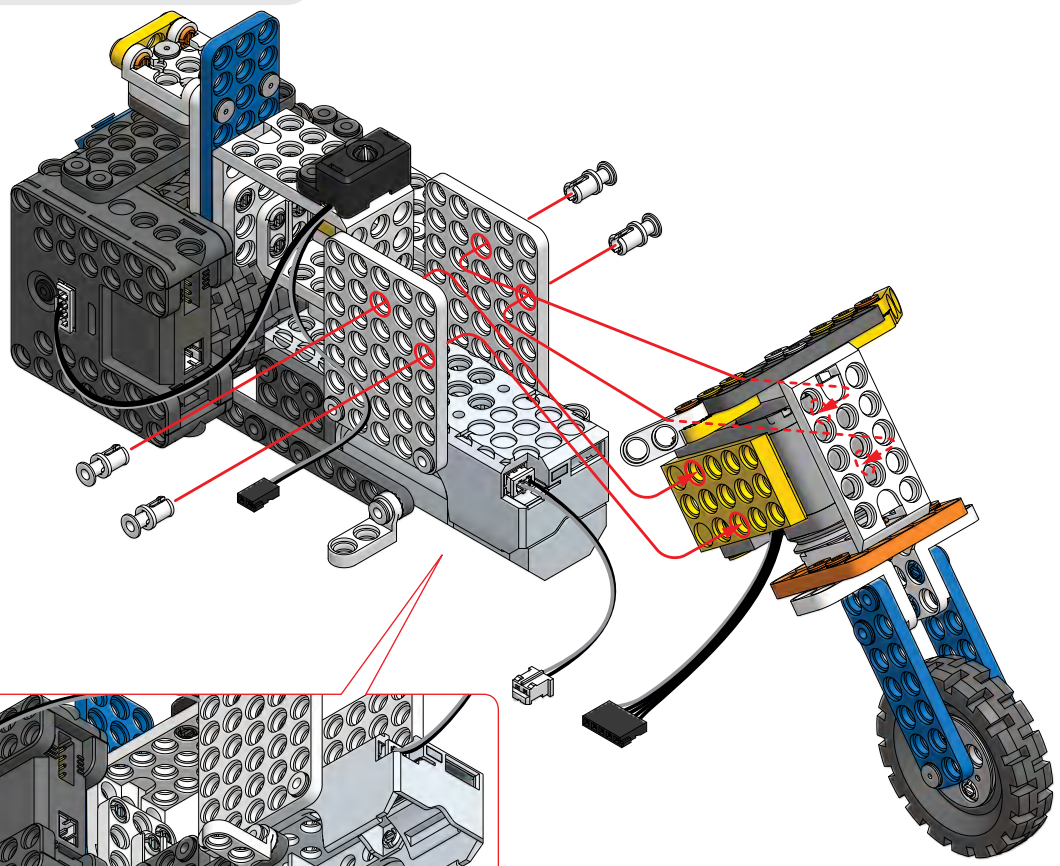
29

SRV-1H/IP Ⓜ ×4

LB-041



LB-041



30

