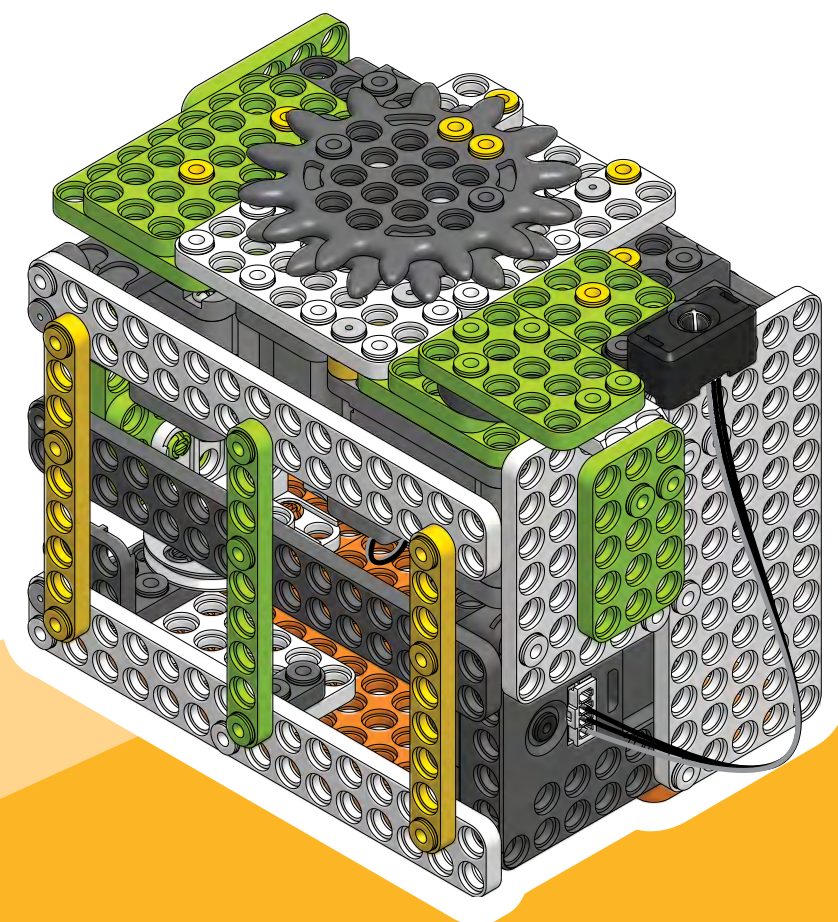




Password Safe



Let's build!

Let's build a robot.
















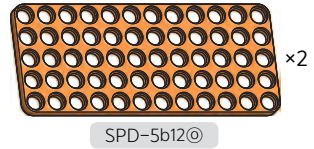
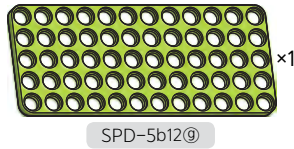
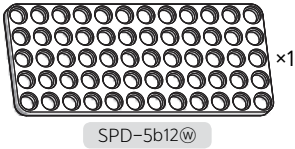
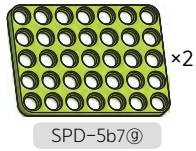
This chapter requires the following parts.

Rivet

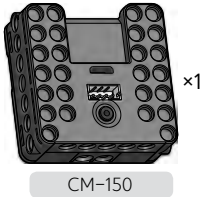
-  ×22
SRV-1H/1PⓂ
-  ×17
SRV-1H/1PⓎ
-  ×23
SRV-1H/1PⓈ
-  ×13
SRV-1H/1PⓈ
-  ×33
SRV-1H/1PⓀ
-  ×10
SRV-1LH/1LP

Plate

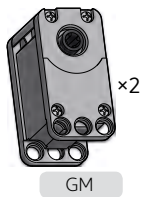
-  ×1
SPI-1b9Ⓢ
-  ×2
SPI-1b9Ⓨ
-  ×1
SPI-1b11Ⓚ
-  ×2
SPD-2b7Ⓜ
-  ×1
SPD-2b8Ⓢ
-  ×3
SPD-2b15Ⓚ
-  ×2
SPD-2b15Ⓜ
-  ×1
SPD-3b5Ⓚ
-  ×3
SPD-3b5Ⓢ
-  ×1
SPD-3b5Ⓢ
-  ×2
SPD-3b7Ⓜ
-  ×3
SPD-3b7Ⓢ
-  ×1
SPD-4b5Ⓜ



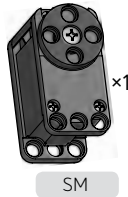
Controller



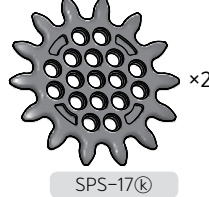
Geared motor



Servo motor



Sprocket



Adaptor



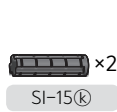
Pulley



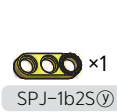
Cross horn



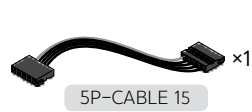
Spindle



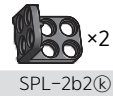
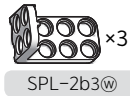
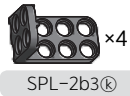
Joint



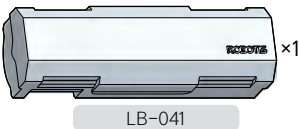
Cable



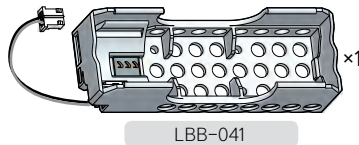
Bracket



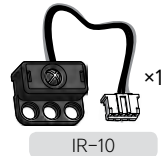
Battery




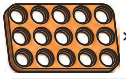
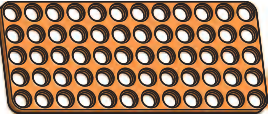
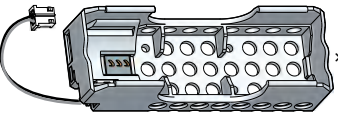
Battery box



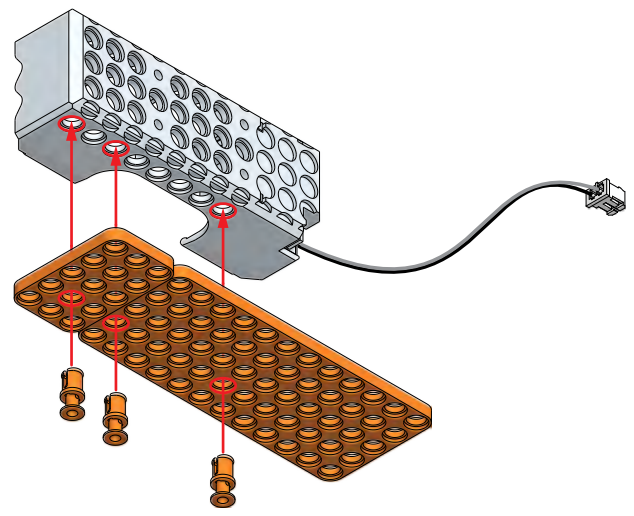
IR Receiver


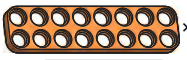



Building the passcode safe

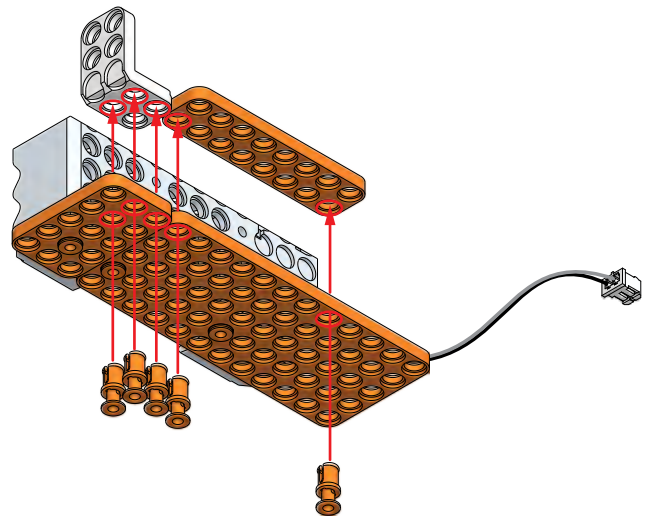
 x3
 x1
 x1
 x1



1



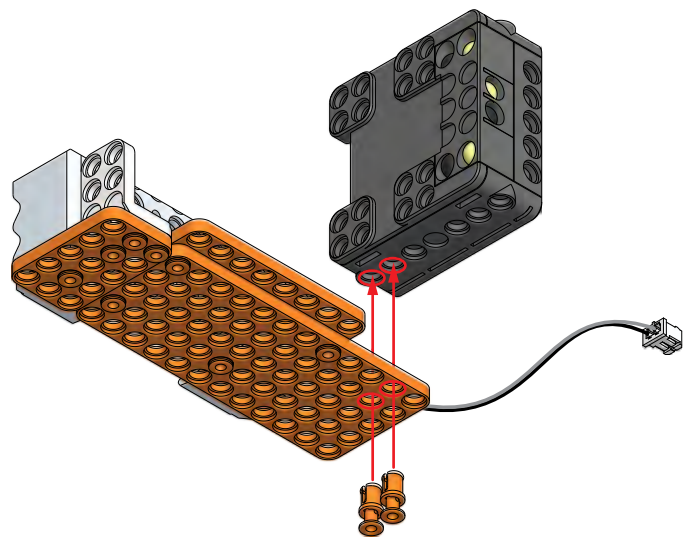
 x5
 x1
 x1

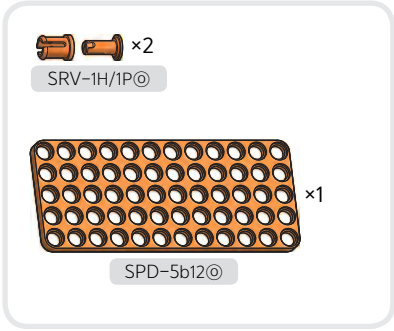
2



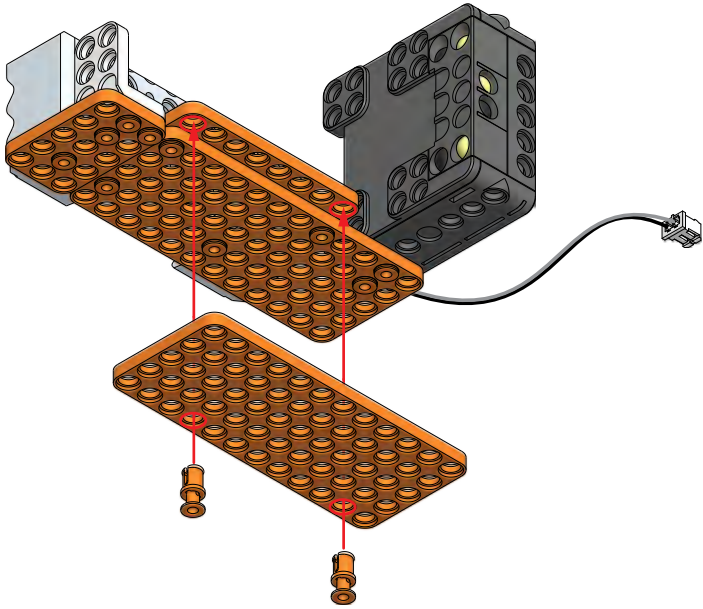
 x2
 x1

3

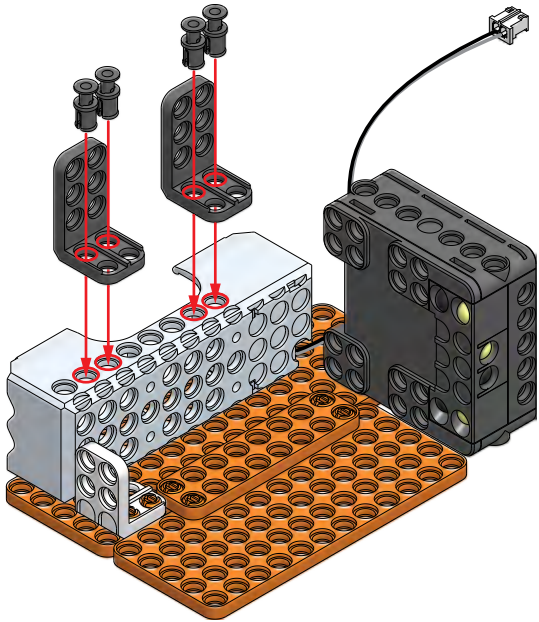







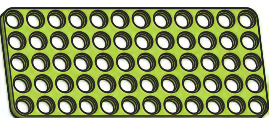
4



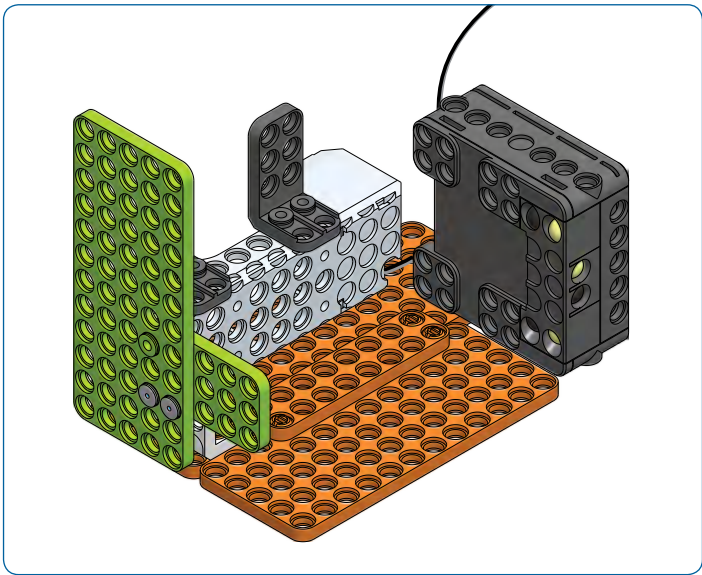
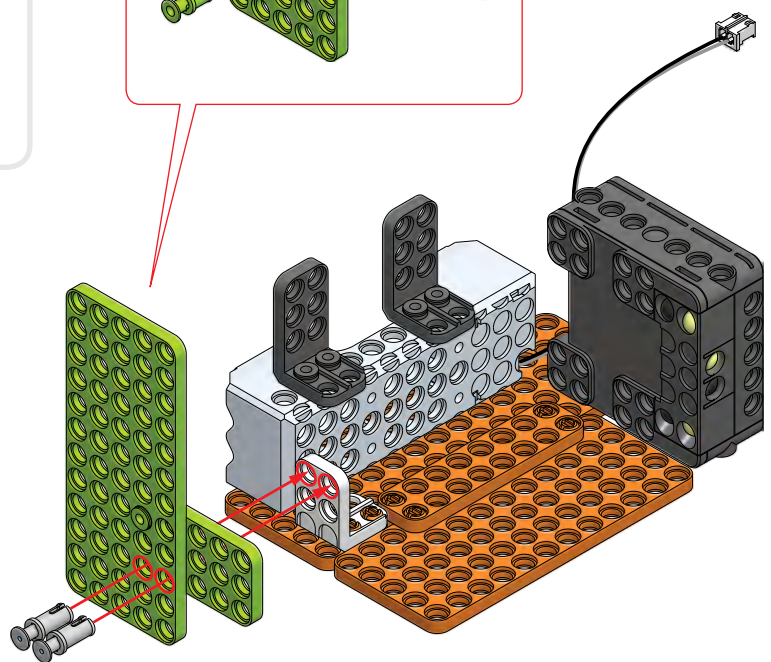
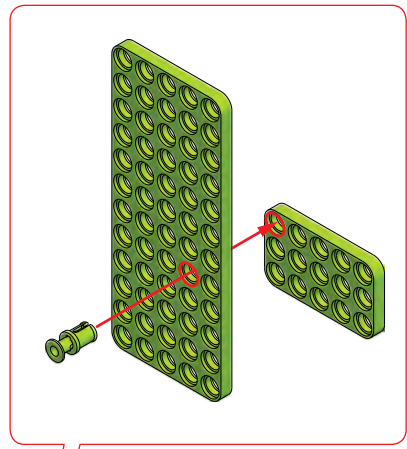
5

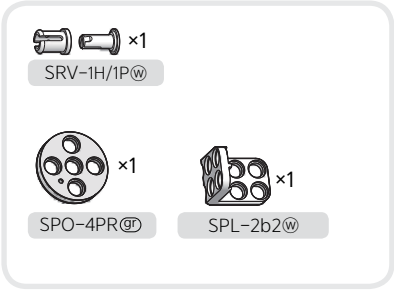




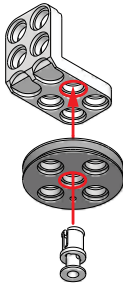
-  ×1
SRV-1H/1P
-  ×2
SRV-1LH/1LP
-  ×1
SPD-3b5
-  ×1
SPD-5b12

6

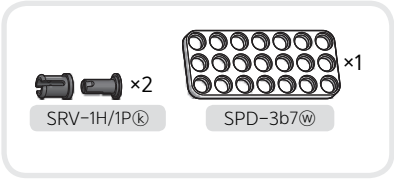
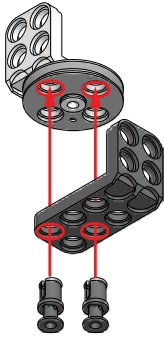




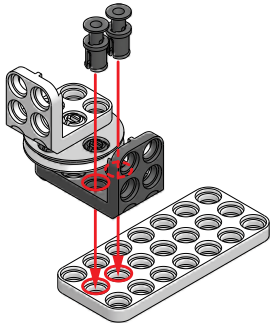
7



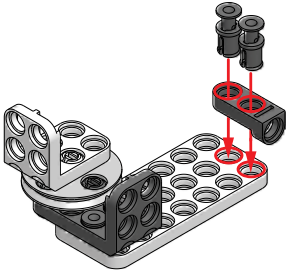
8



9

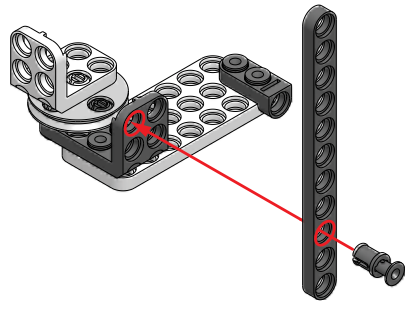


10



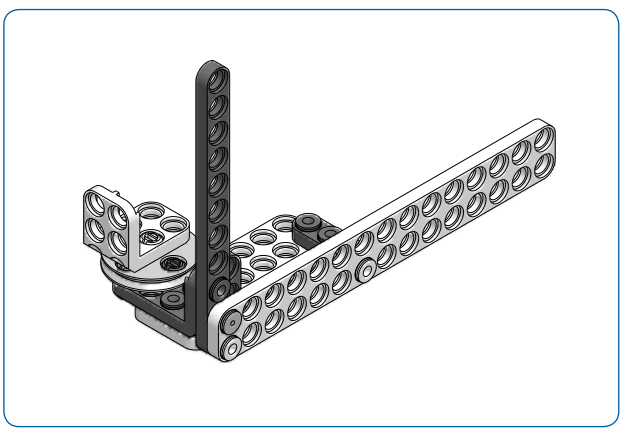
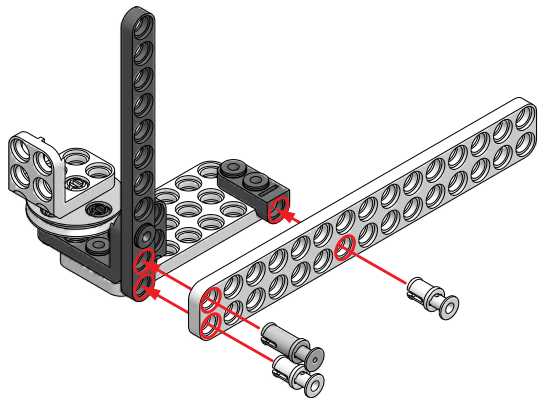
11

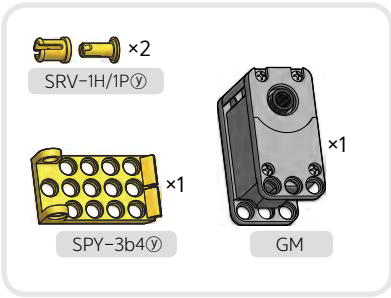
- SRV-1H/1P (K) x1
- SPI-1b11 (K) x1



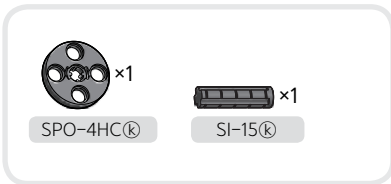
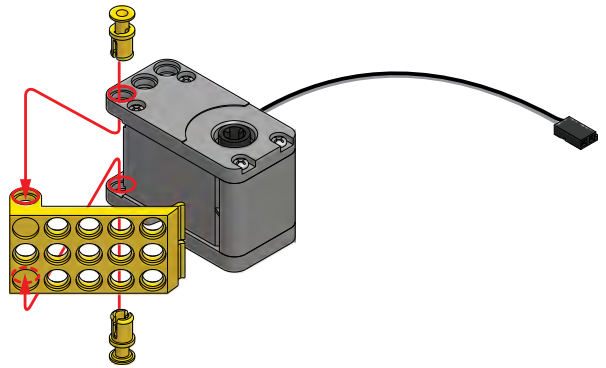
12

- SRV-1H/1P (W) x2
- SRV-1LH/1LP x1
- SPD-2b15 (W) x1

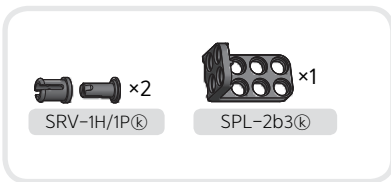
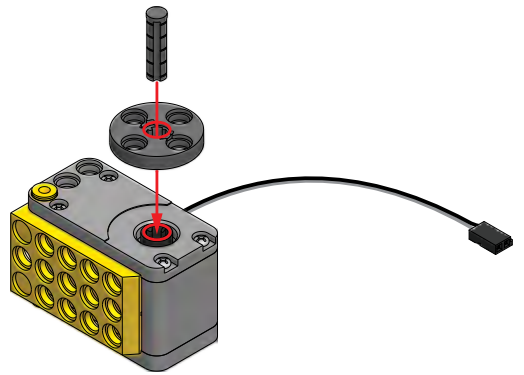




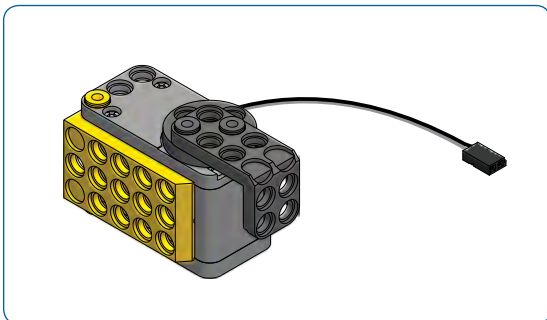
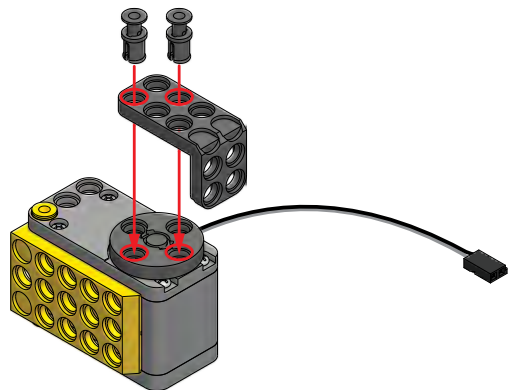
13






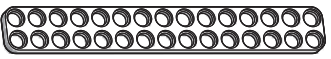
14

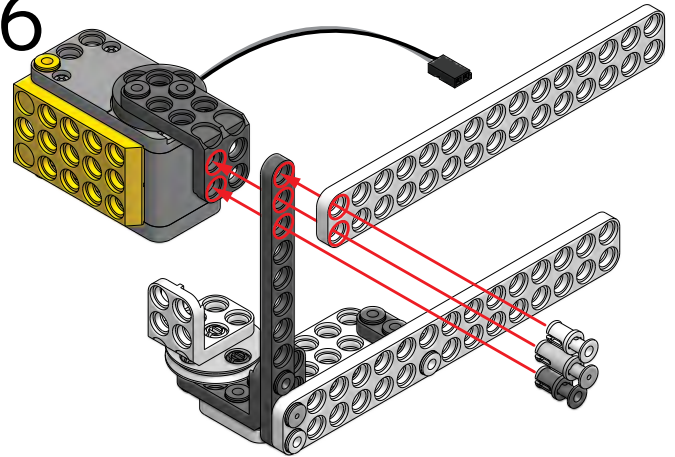


15








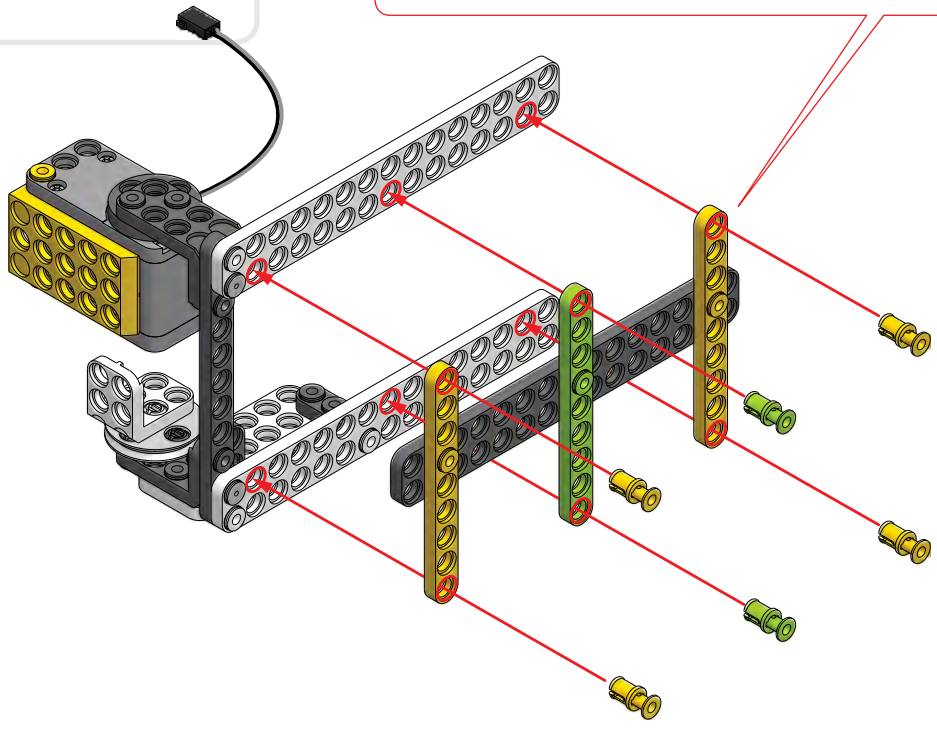
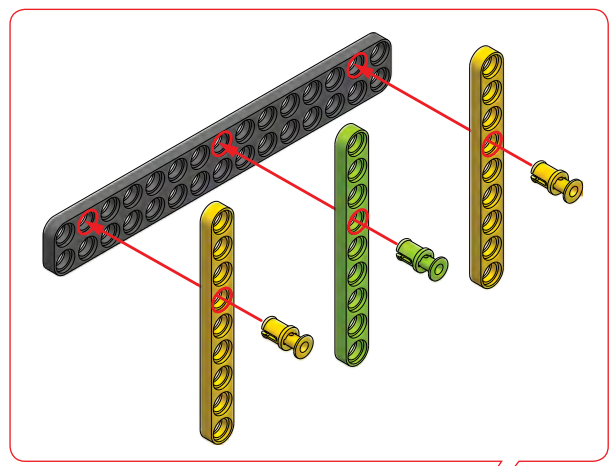
16

-  ×1
-  ×1
-  ×1
-  ×1



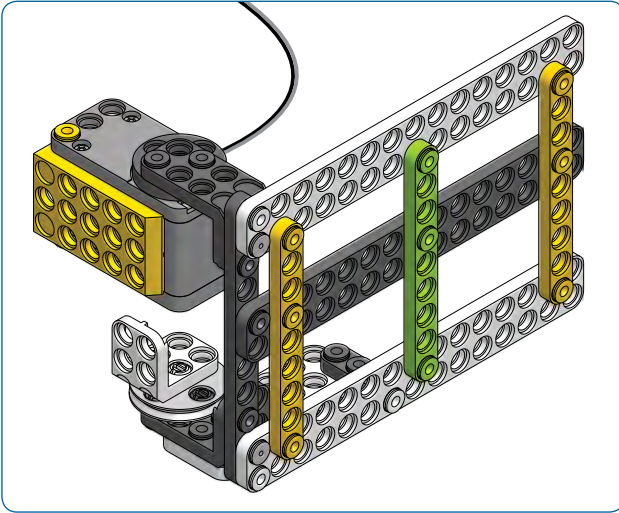
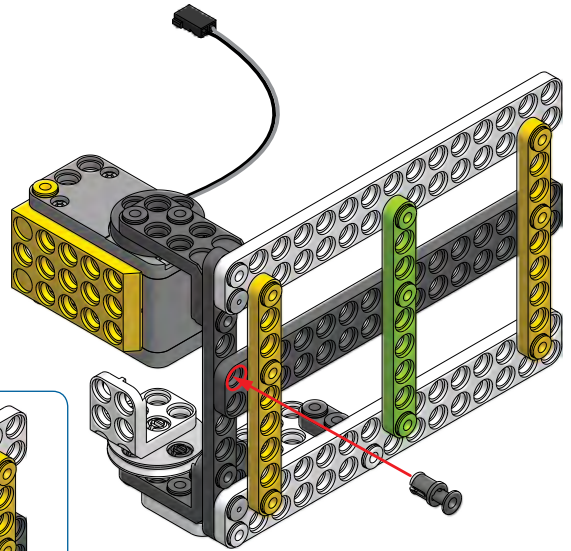
17

-  ×6
-  ×3
-  ×1
-  ×2
-  ×1



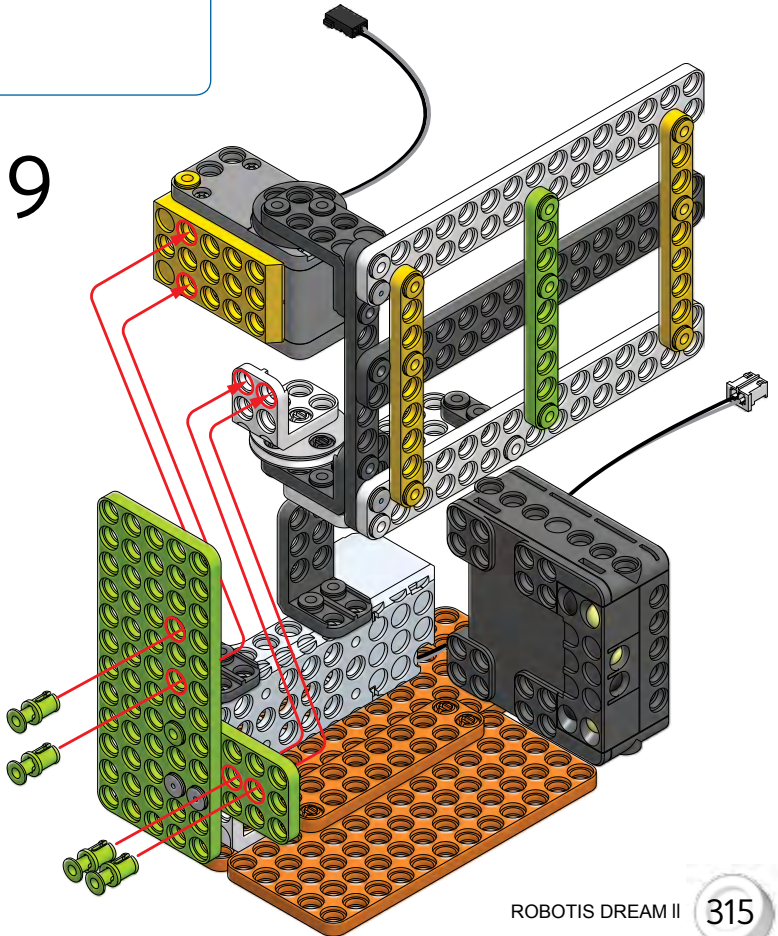
×1
SRV-1H/1P

18



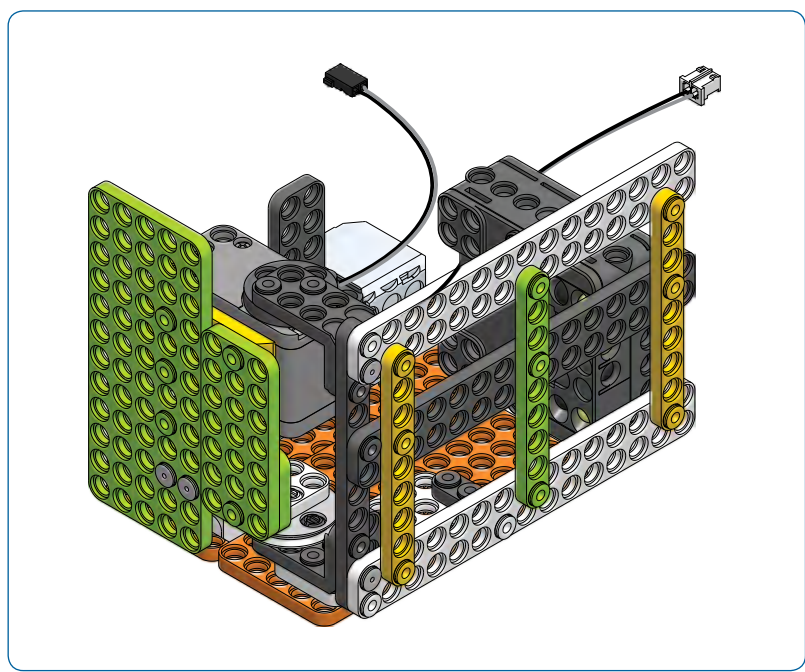
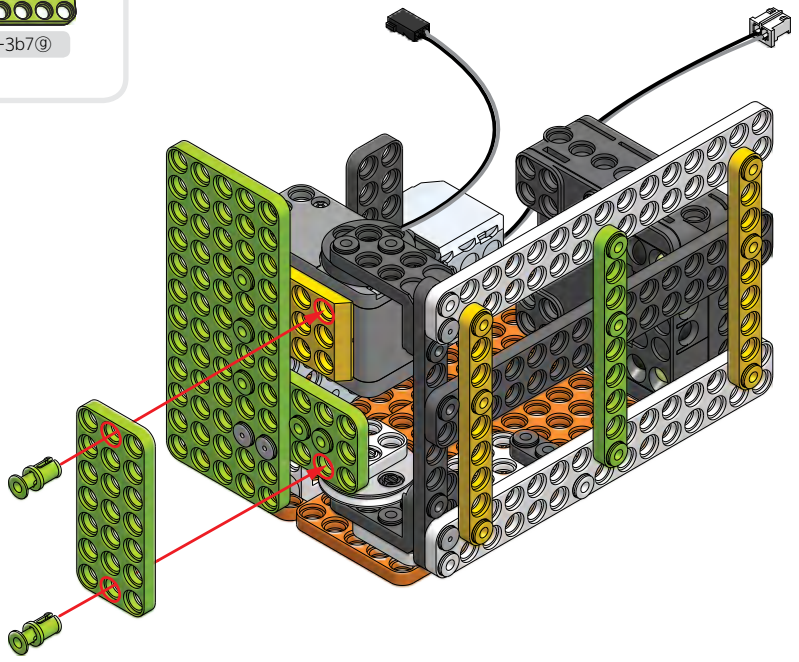
×4
SRV-1H/1P

19



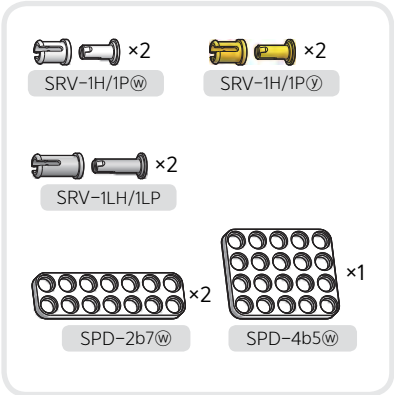
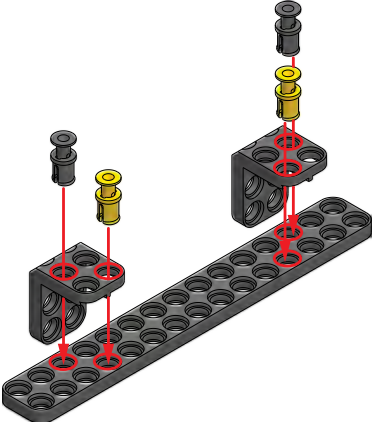
20

SRV-1H/1P ⊕ ×2
SPD-3b7 ⊕ ×1

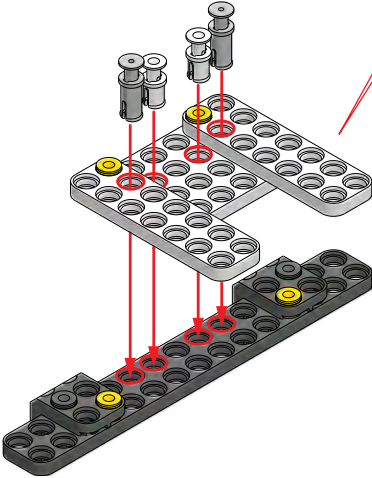
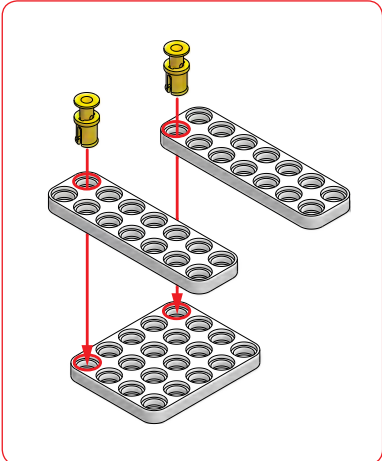





21





22




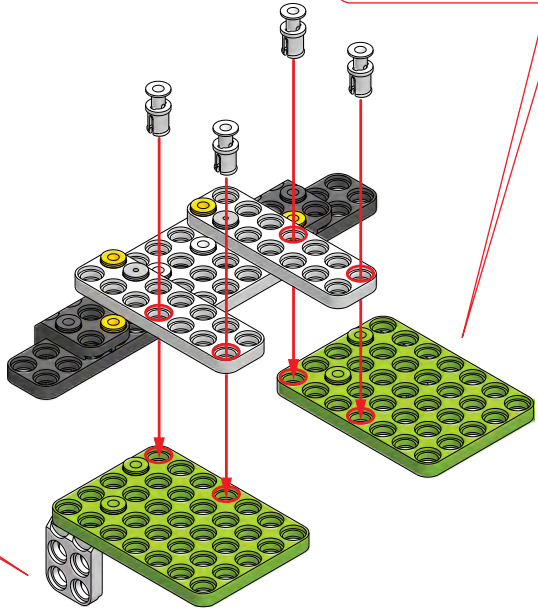
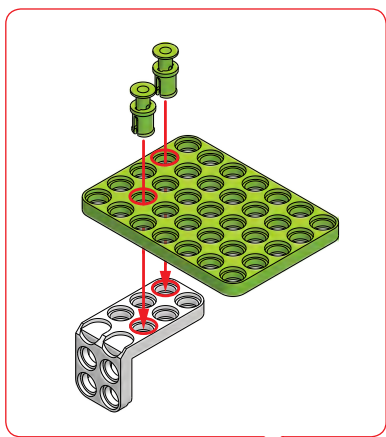
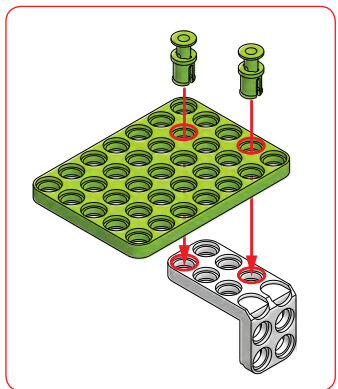
23

 x4
 SRV-1H/1P Ⓜ


 x4
 SRV-1H/1P Ⓢ


 x2
 SPD-5b7 Ⓢ

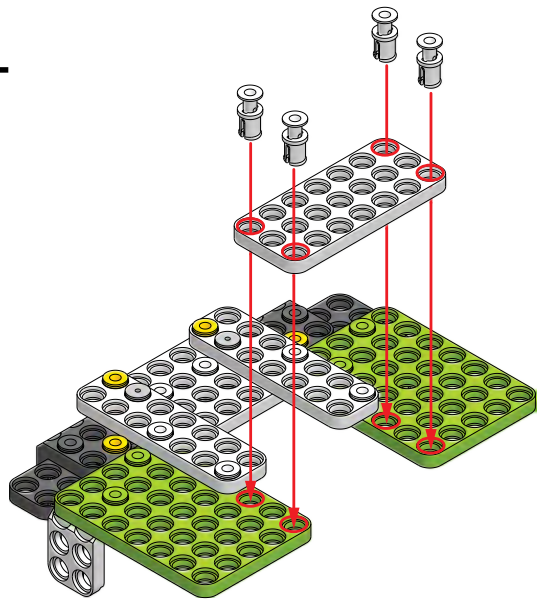
 x2
 SPL-2b3 Ⓜ



24

 x4
 SRV-1H/1P Ⓜ

 x1
 SPD-3b7 Ⓜ

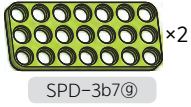




SRV-1H/1P (yellow) x3

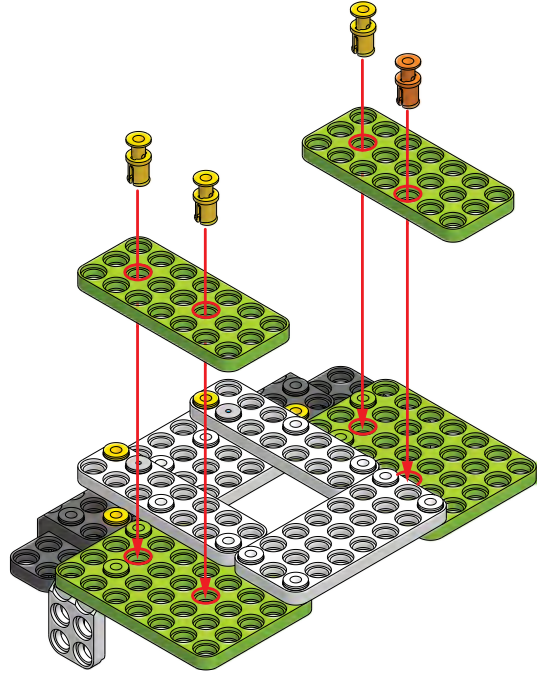


SRV-1H/1P (orange) x1



SPD-3b7 (green) x2

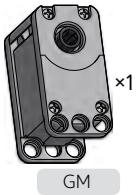
25



SRV-1LH/1LP (grey) x2

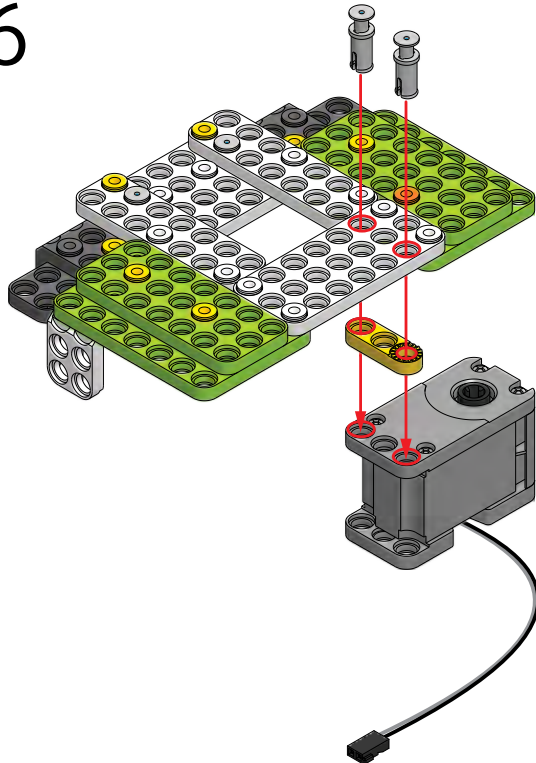


SPJ-1b2S (yellow) x1



GM

26

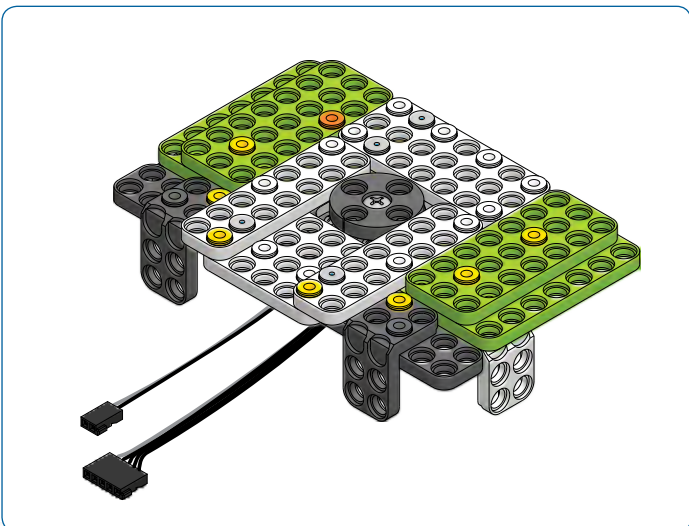
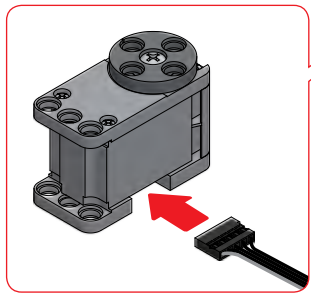
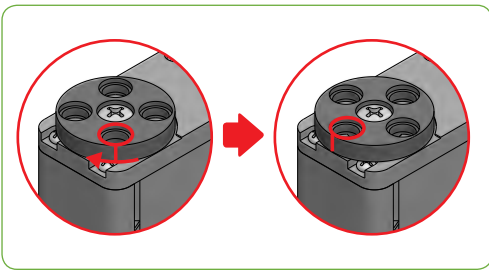
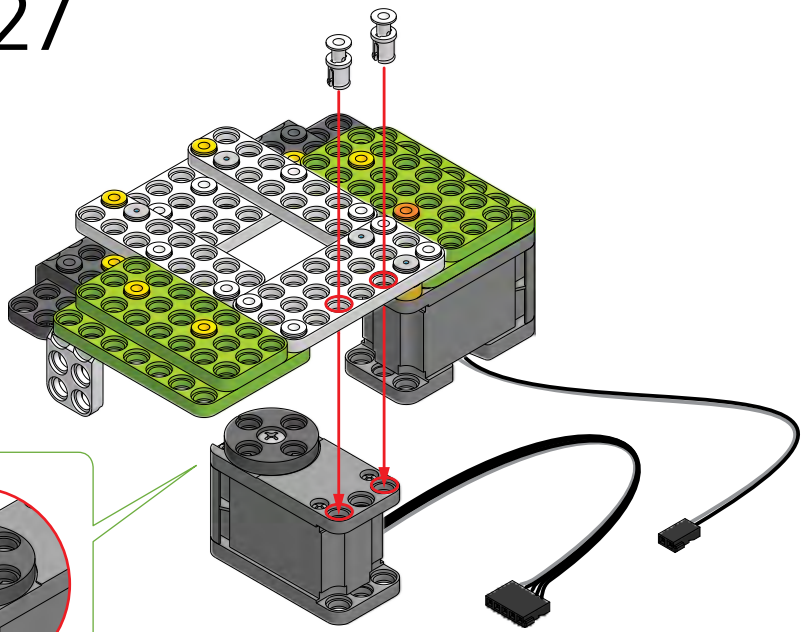


27

SRV-1H/IPⓂ ×2

SM ×1

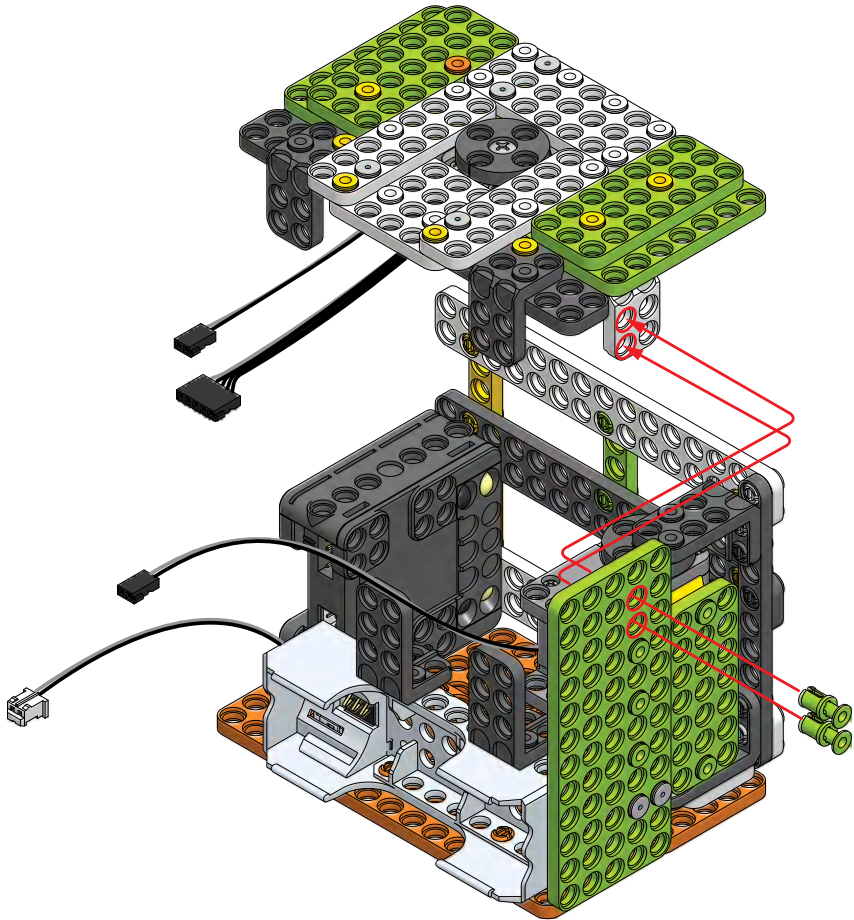
5P-CABLE 15 ×1



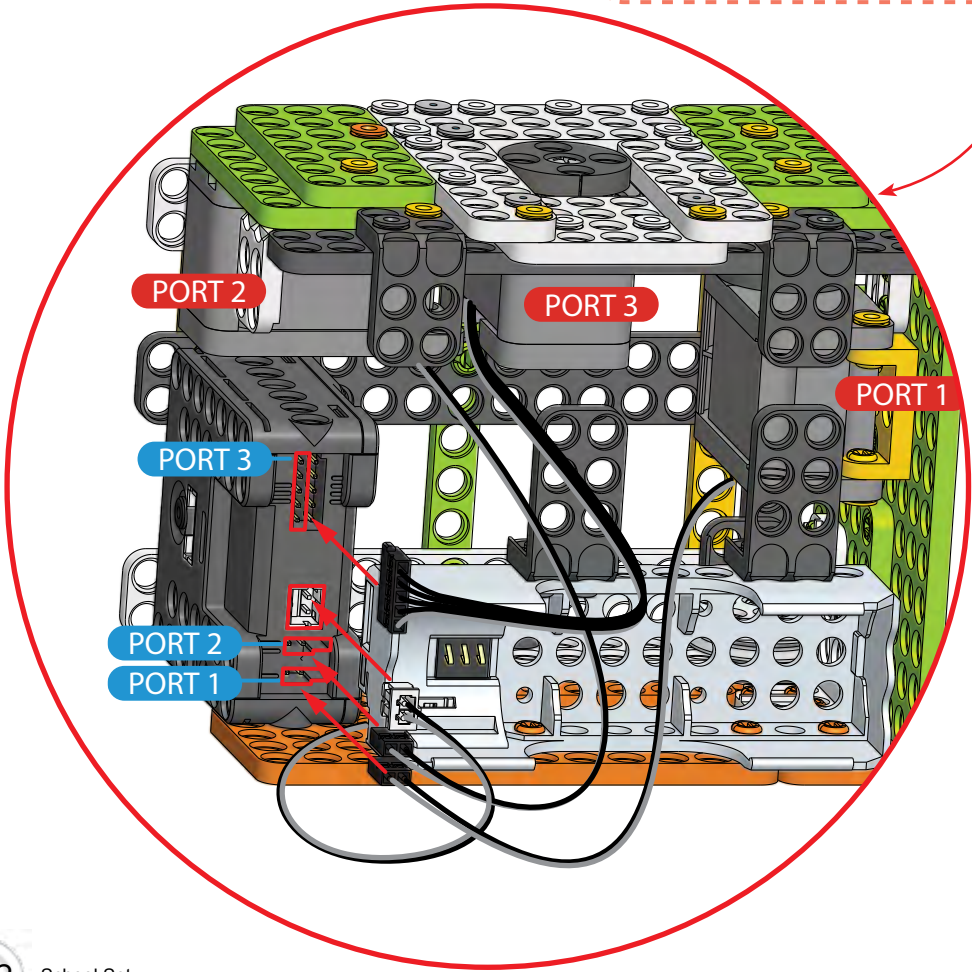
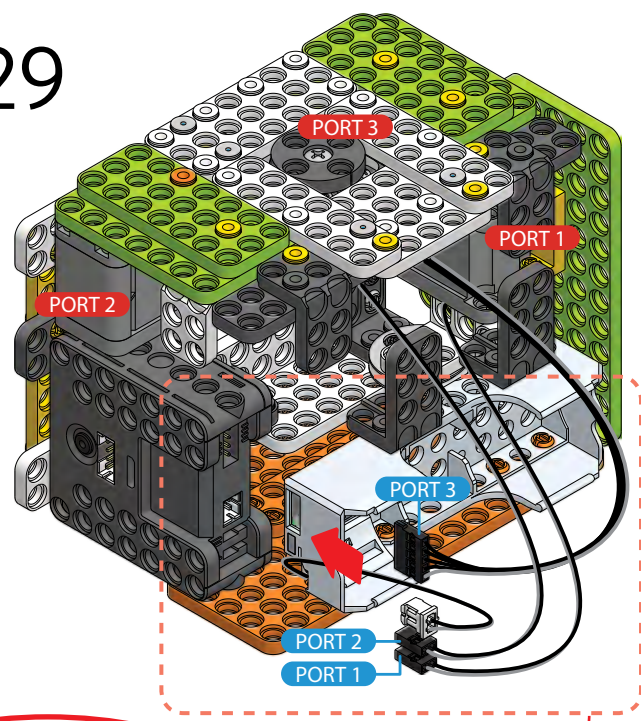
 ×2

SRV-1H/1P[®]

28



29



SRV-1H/1P (x4)

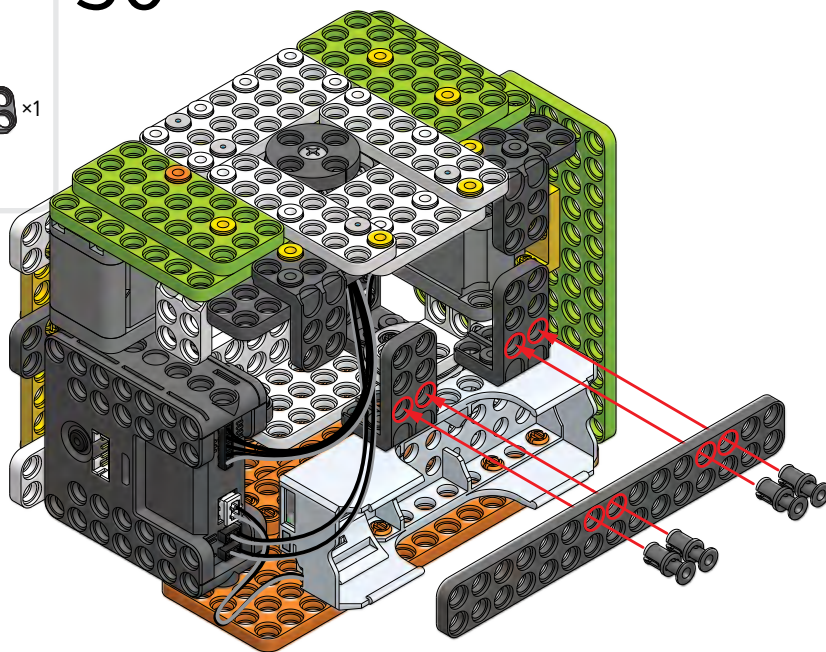
SRV-1H/1P (x4)



x1

SPD-2b15

30



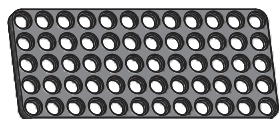
SRV-1H/1P (x8)

SRV-1H/1P (x8)



x1

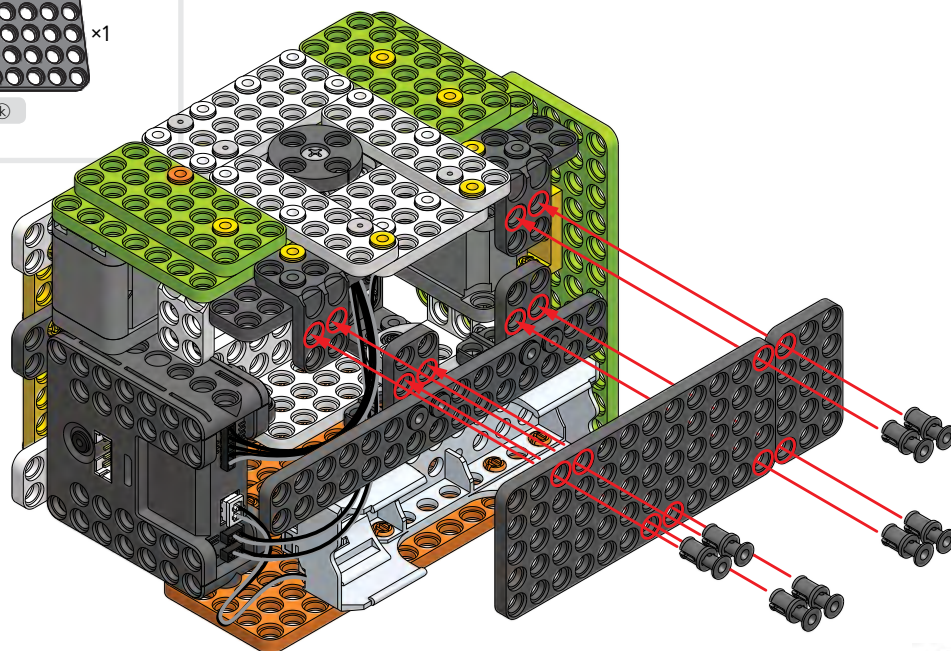
SPD-3b5



x1

SPD-5b12

31





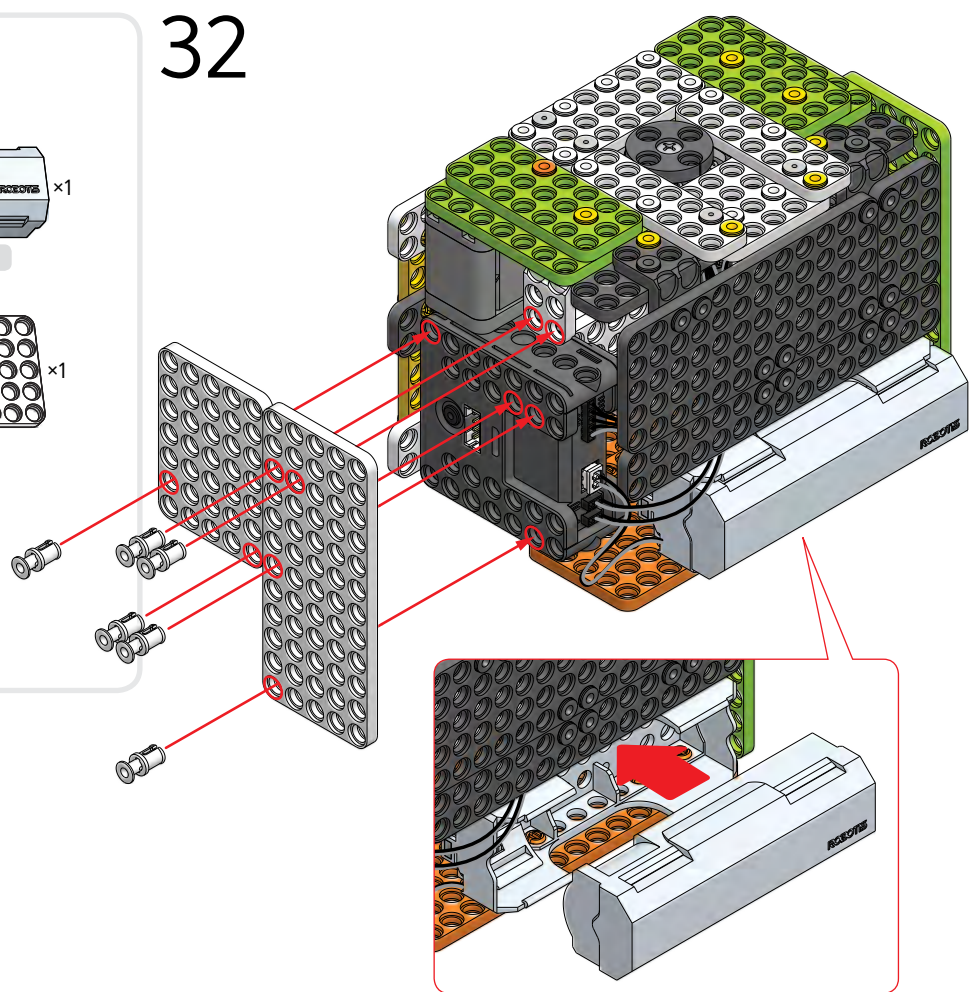
32

SRV-1H/1P ⊗ ×6

LB-041 ×1

SPD-5b12 ⊗ ×1

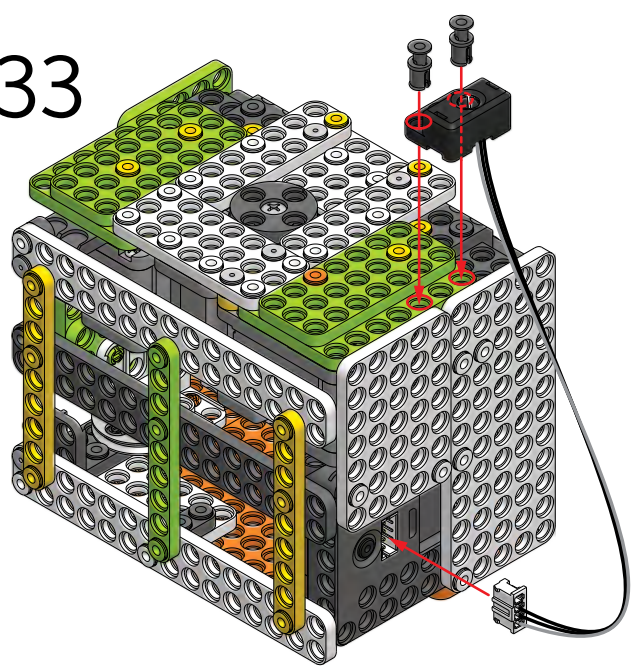
SPD-5b7 ⊗ ×1

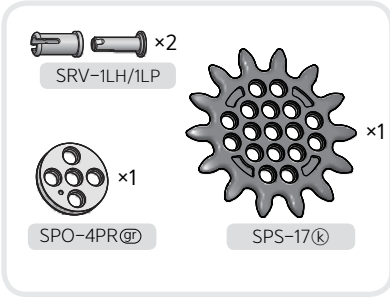


33

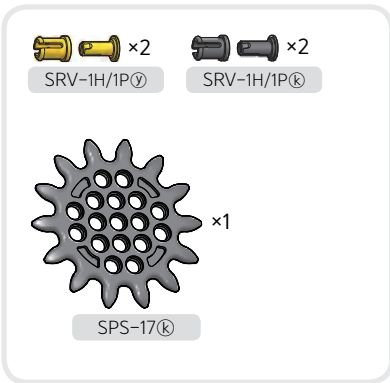
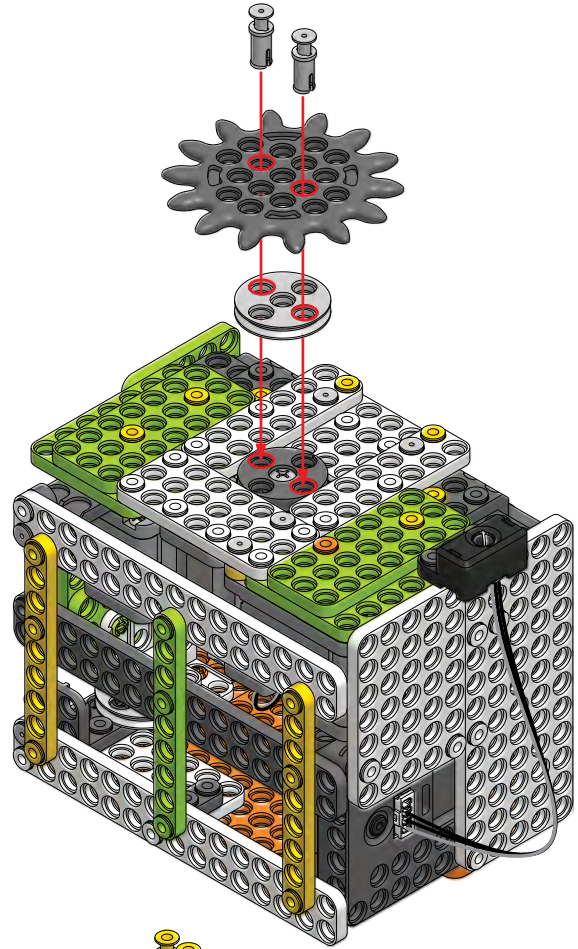
SRV-1H/1P ⊗ ×2

IR-10 ×1

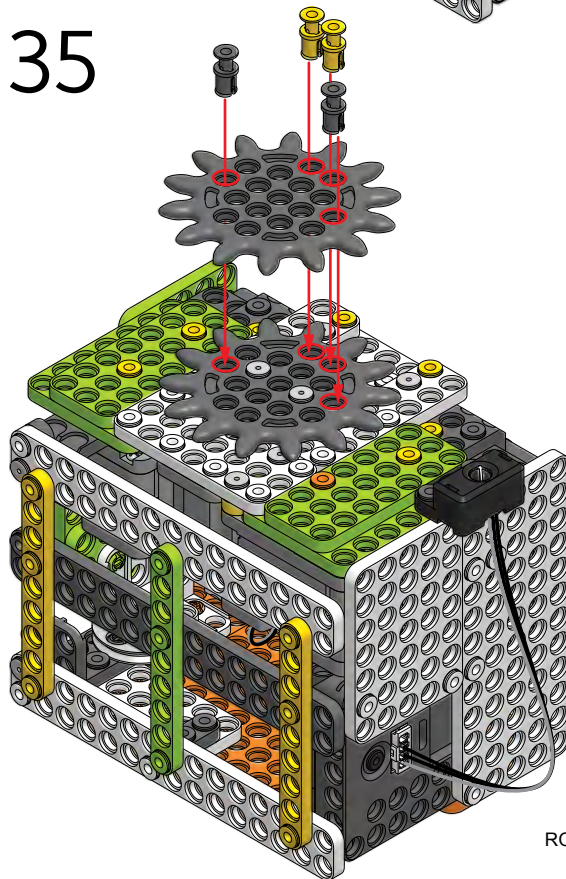





34




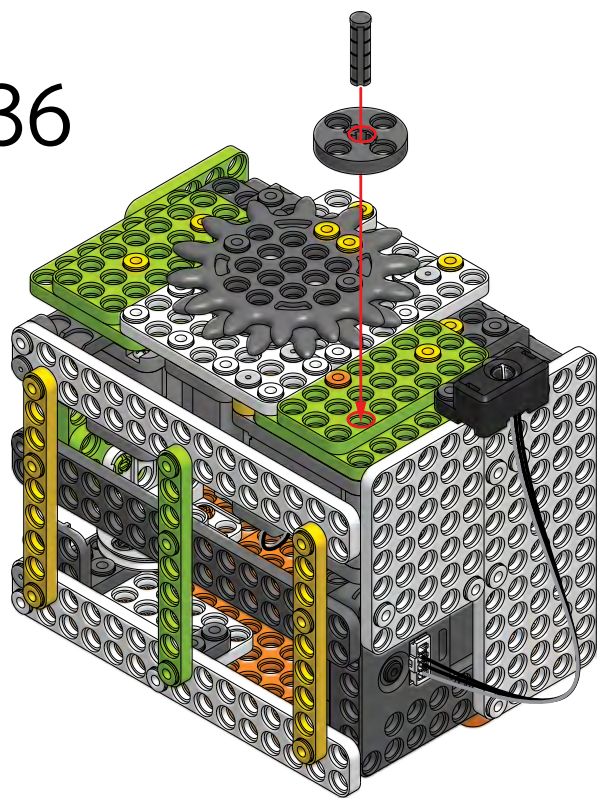
35




36

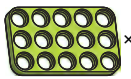
 x1
 SPO-4HC(Ⓞ)


 x1
 SI-15(Ⓚ)



37

 x7
 SRV-1H/1P(Ⓞ)

 x2
 SPD-3b5(Ⓞ)

 x1
 SPL-2b3(Ⓞ)

