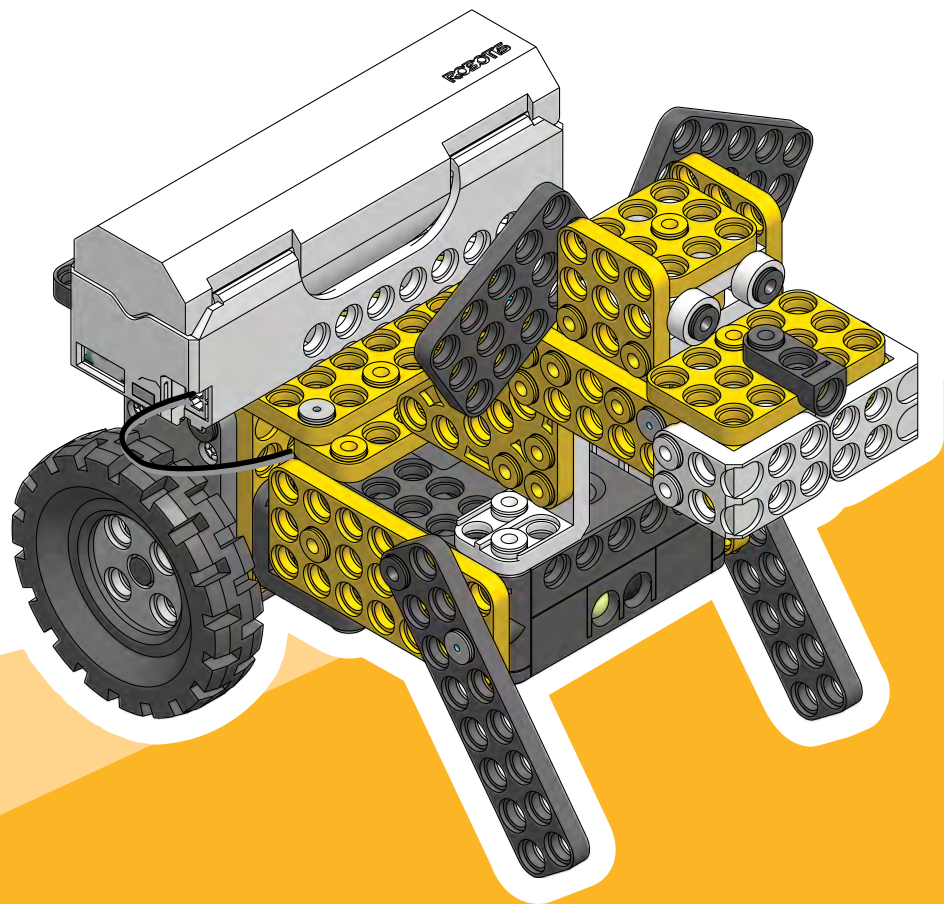


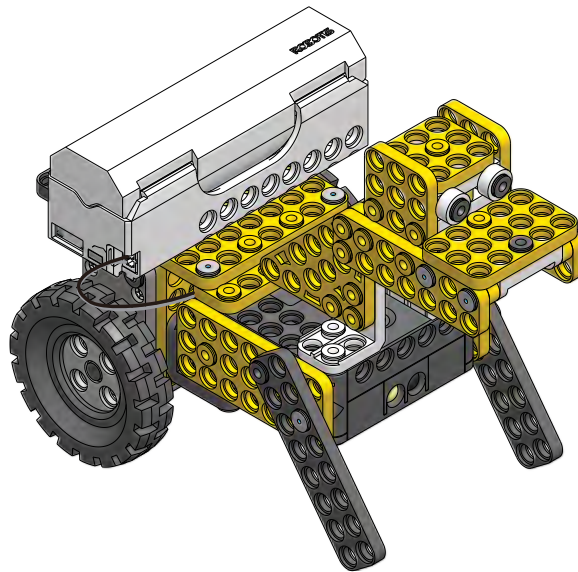


Puppy

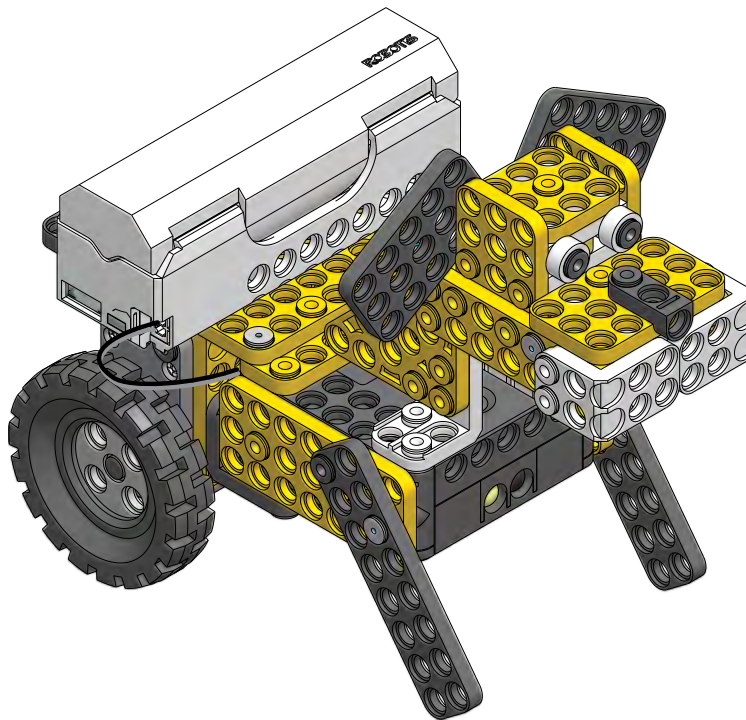


Let's build!

Let's build a robot.

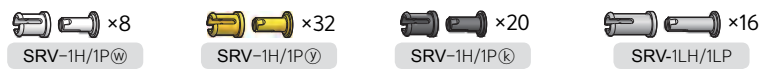


Below is the final image of the robot when you are done with assembling the "My Own Robot" step.

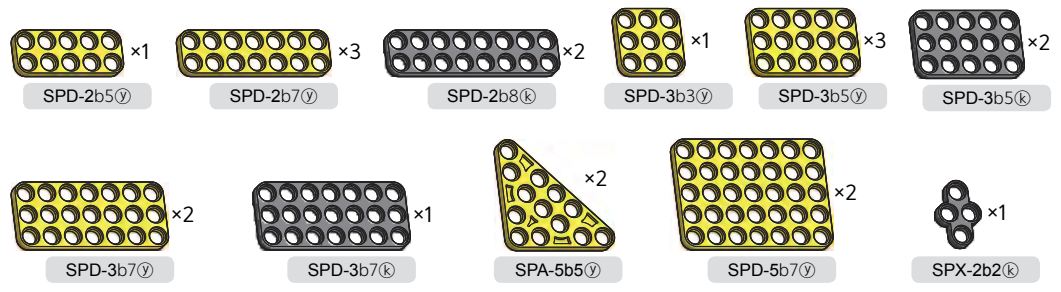


You will require the following parts.

Rivet



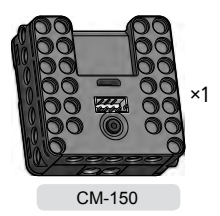
Plate



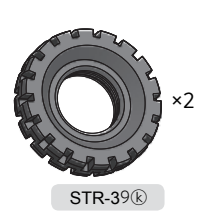
Geared motor



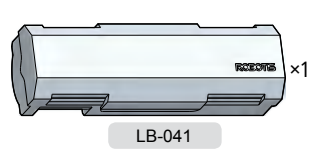
Controller



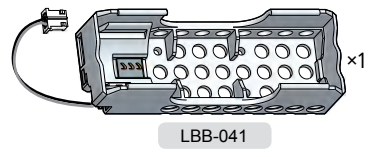
Tire



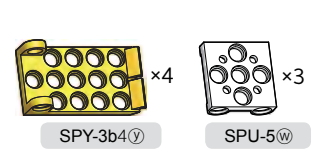
Battery



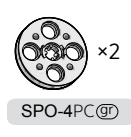
Battery box



Adaptor



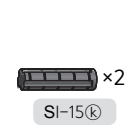
Pulley



Spacer



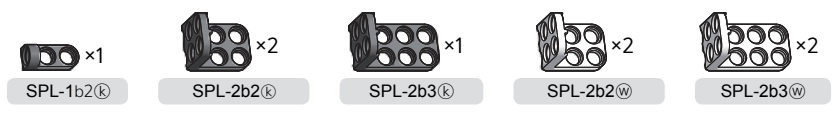
Spindle



Joint



Bracket



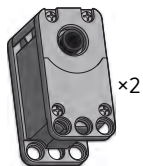
• Parts and color of the products might be different from the images of the assembly manual.

Building a Puppy Robot

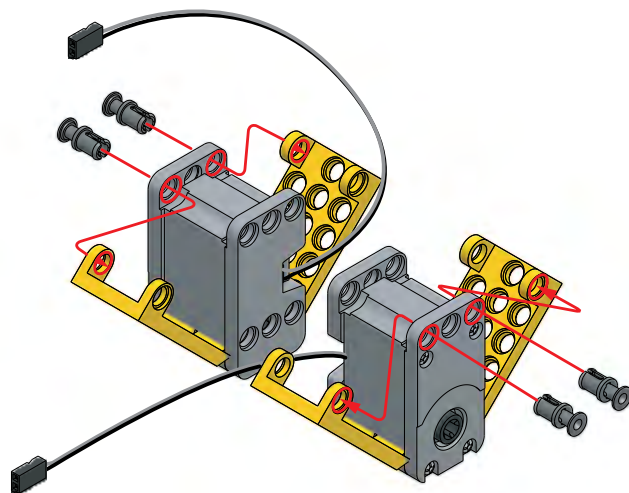
1

SRV-1H/1P ⊗ ×4

SPY-3b4 ⊕ ×4



GM ⊗ ×2

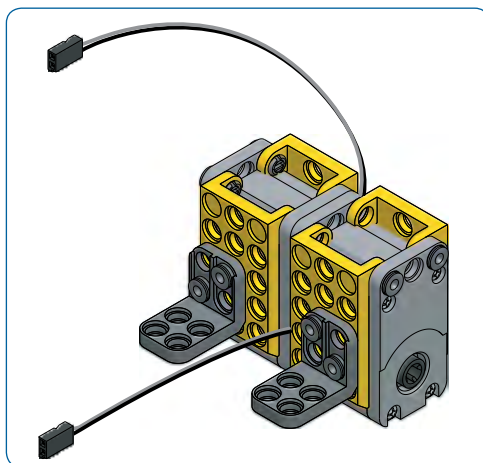
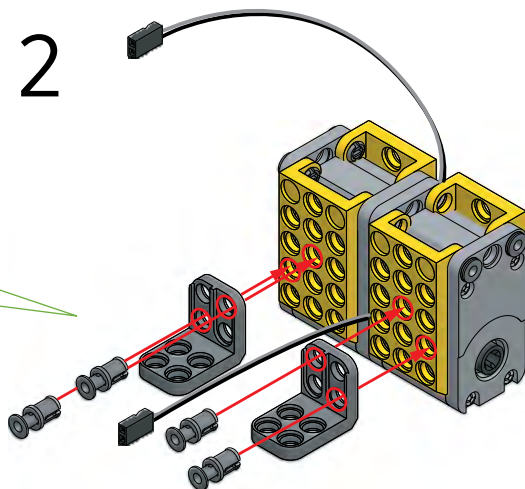
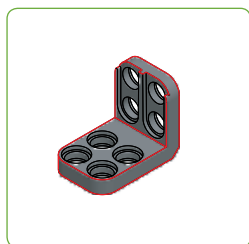


2



SRV-1H/1P ⊗ ×4


SPL-2b2 ⊗ ×2

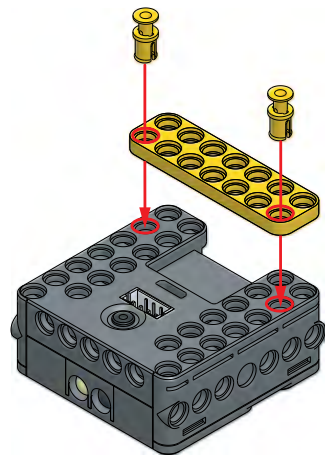
SPL-2b2 ⊗ ×2





3

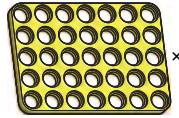
 x2
 x1

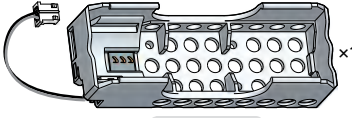
 x1
CM-150

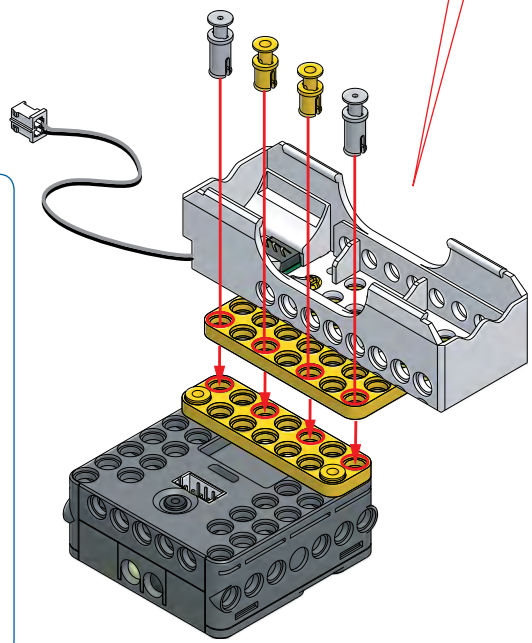
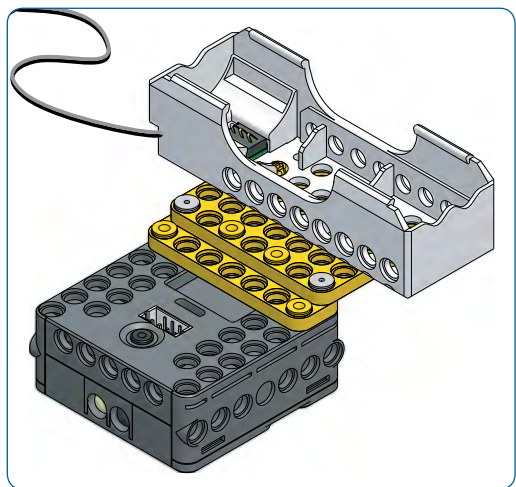
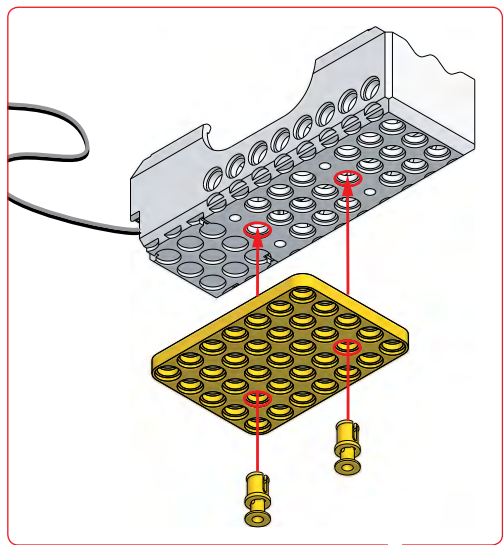


4

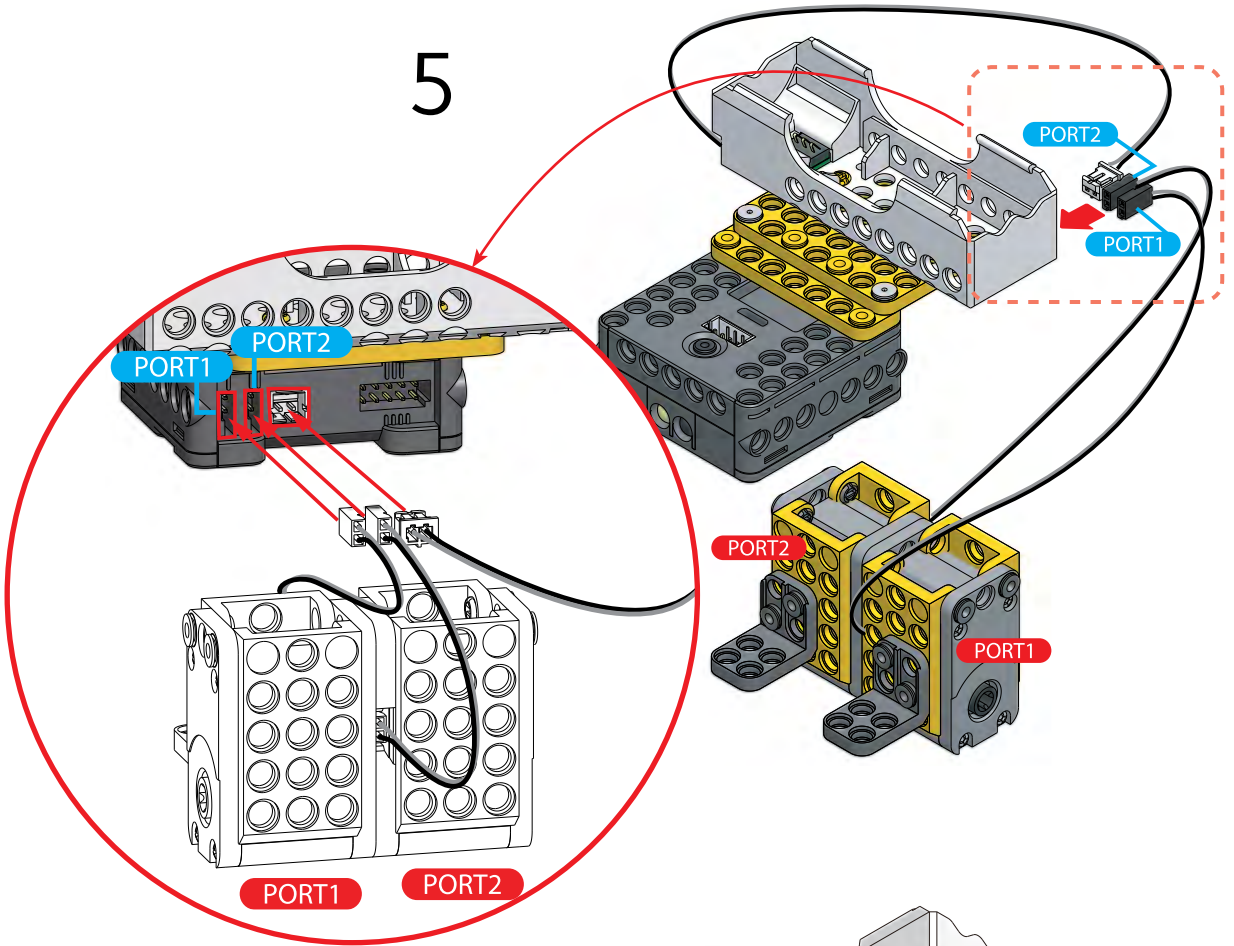
 x4  x2

 x1
SPD-5b7

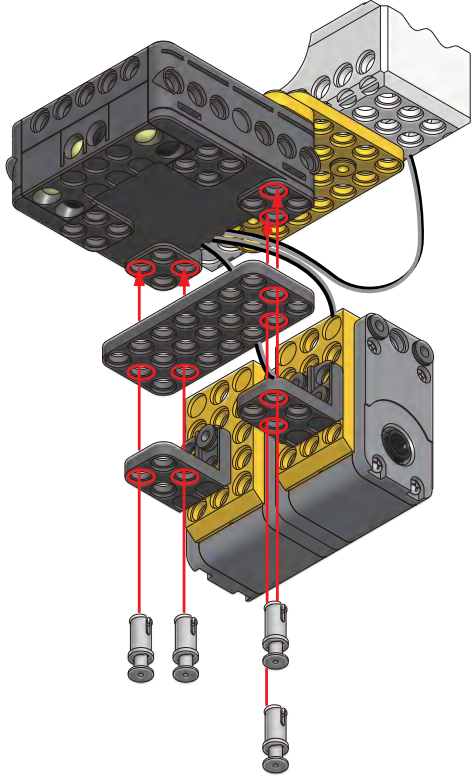
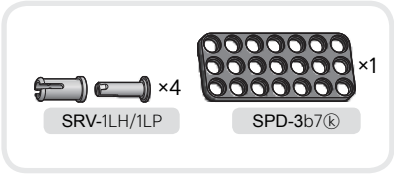
 x1
LBB-041






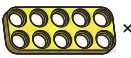

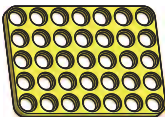

5

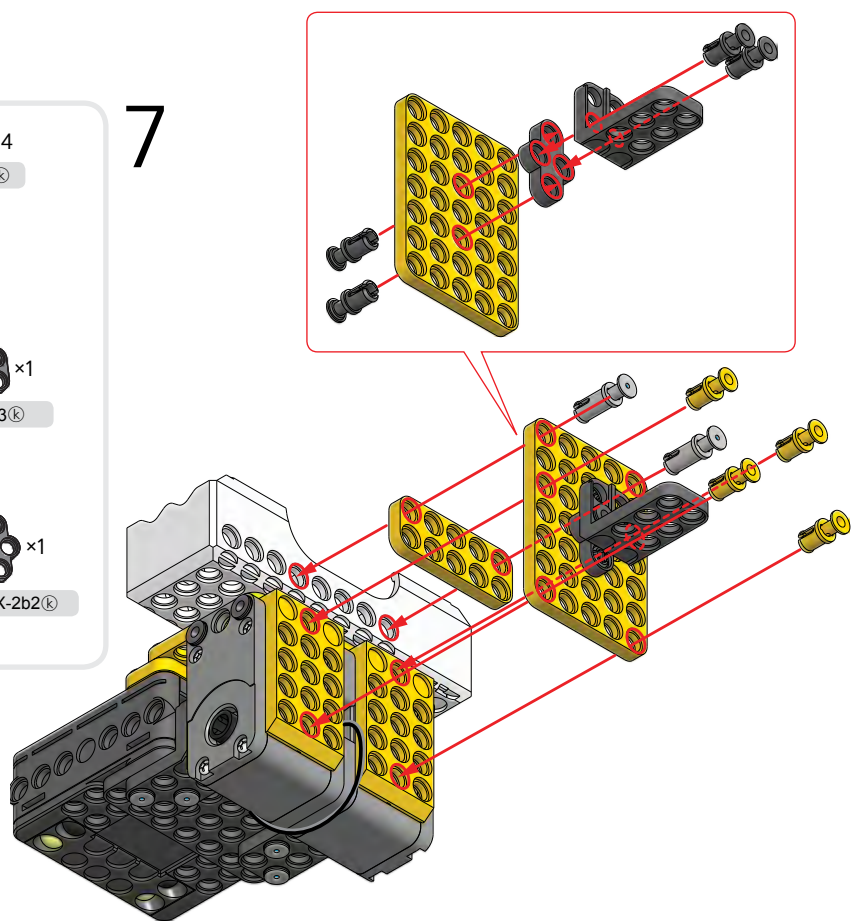


6



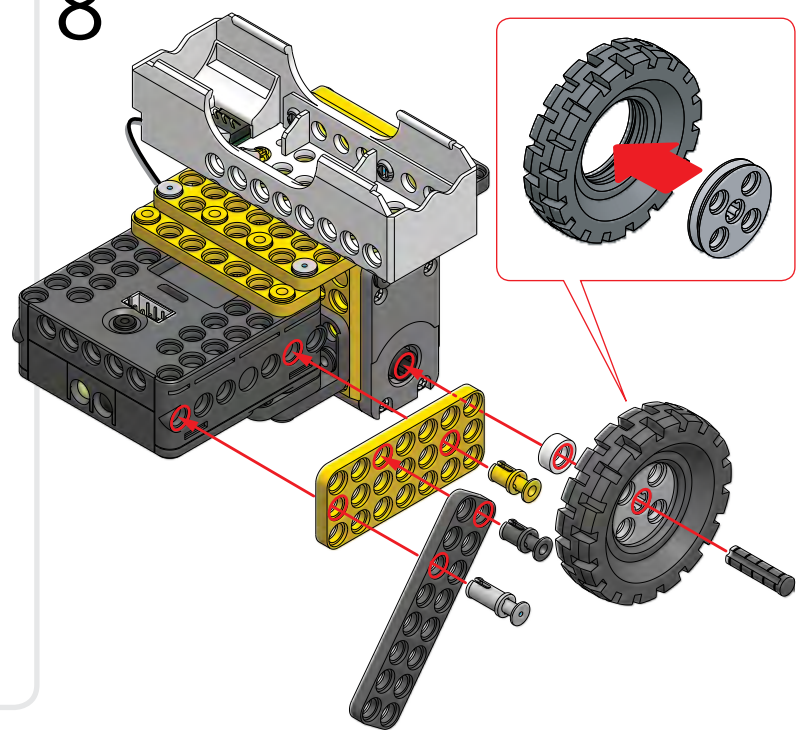
7

-  x4 **SRV-1H/1P** (V)
-  x4 **SRV-1H/1P** (K)
-  x2 **SRV-1LH/1LP**
-  x1 **SPD-2b5** (V)
-  x1 **SPL-2b3** (K)
-  x1 **SPD-5b7** (V)
-  x1 **SPX-2b2** (K)



8

-  x1 **SRV-1H/1P** (V)
-  x1 **SRV-1H/1P** (K)
-  x1 **SRV-1LH/1LP**
-  x1 **SI-15** (K)
-  x1 **SPD-2b8** (K)
-  x1 **SPO-1A** (W)
-  x1 **SPD-3b7** (V)
-  x1 **SPO-4PC** (G)
-  x1 **STR-39** (K)



9

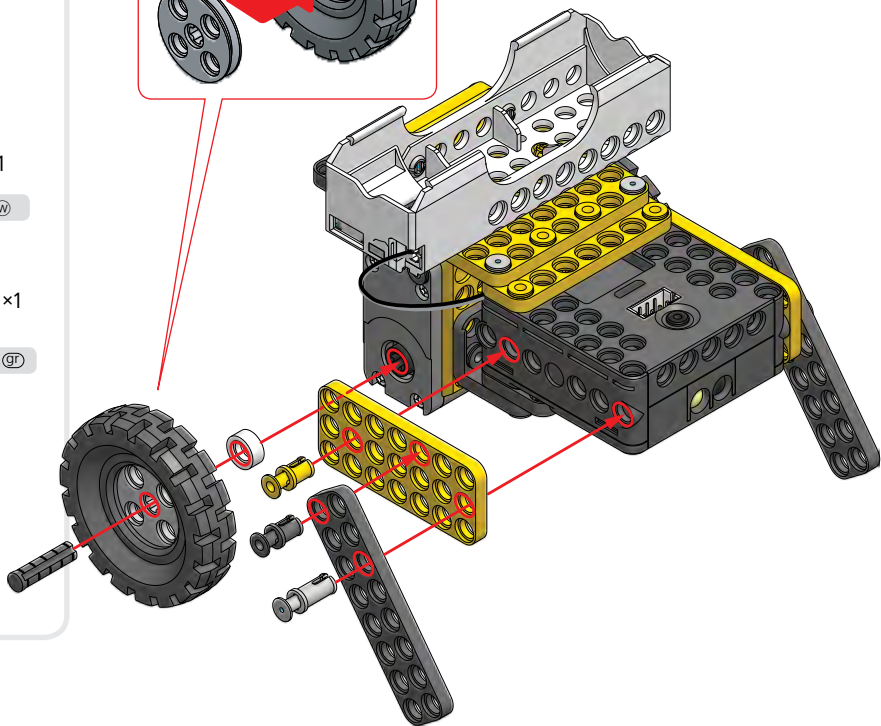
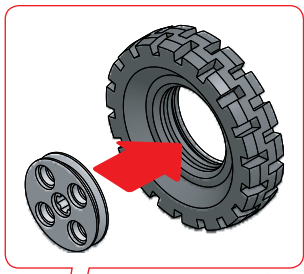
SRV-1H/1PⓅ ×1 SRV-1H/1PⓅ ×1

SRV-1LH/1LP ×1 SI-15Ⓟ ×1

SPD-2b8Ⓟ ×1 SPO-1AⓅ ×1

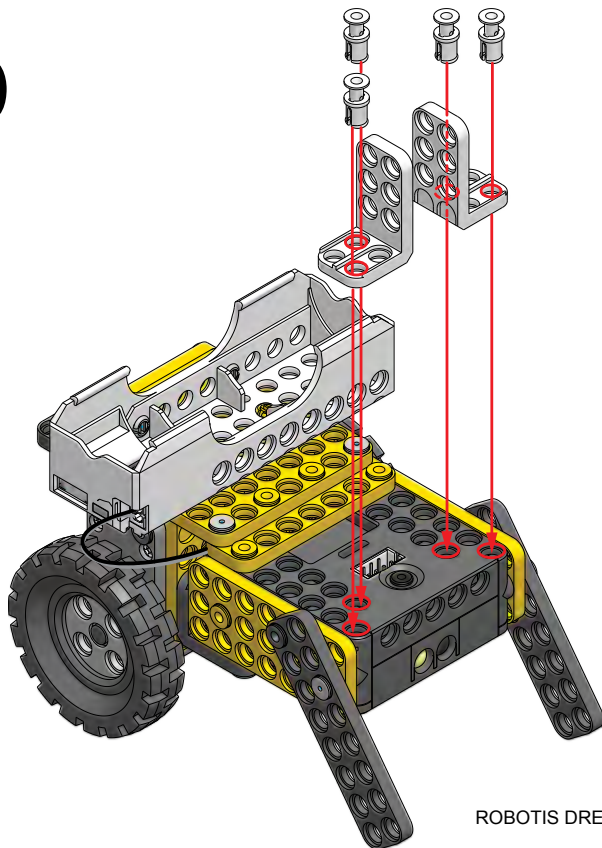
SPD-3b7Ⓟ ×1 SPO-4PCⓅ ×1

STR-39Ⓟ ×1

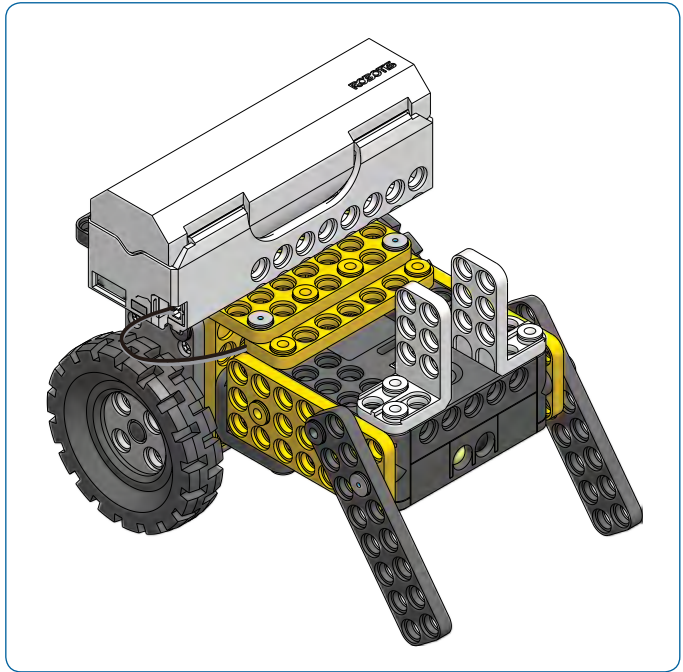
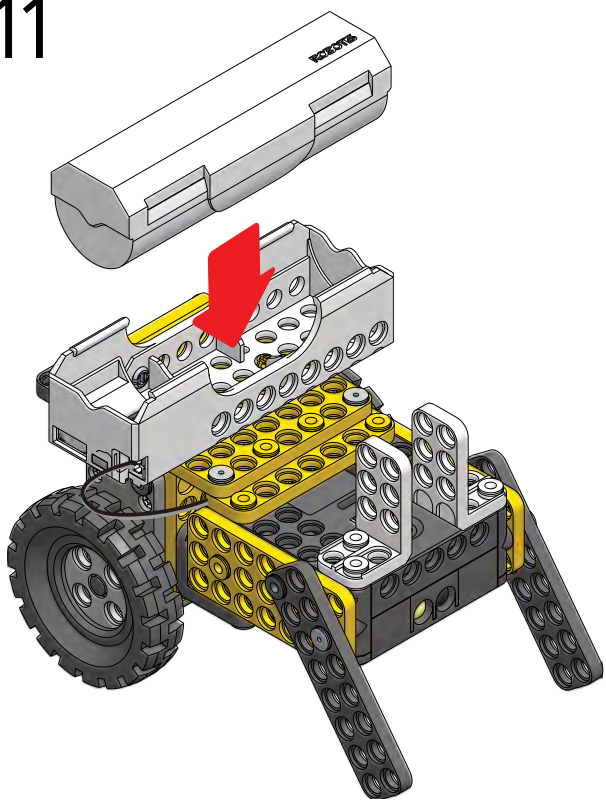
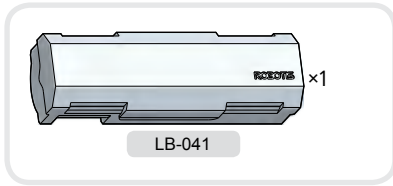


10



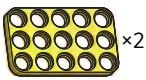
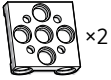

SRV-1H/1PⓅ ×4 SPL-2b3Ⓟ ×2

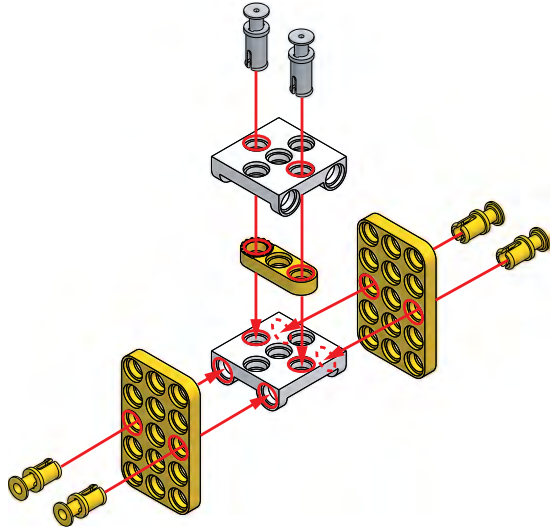


11





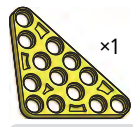
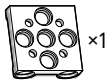


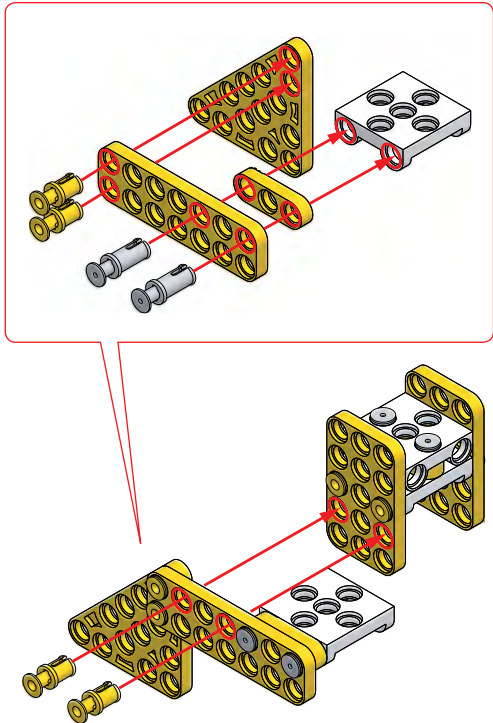
12

 x4	 x2
 x2	 x2
 x1	



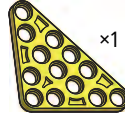




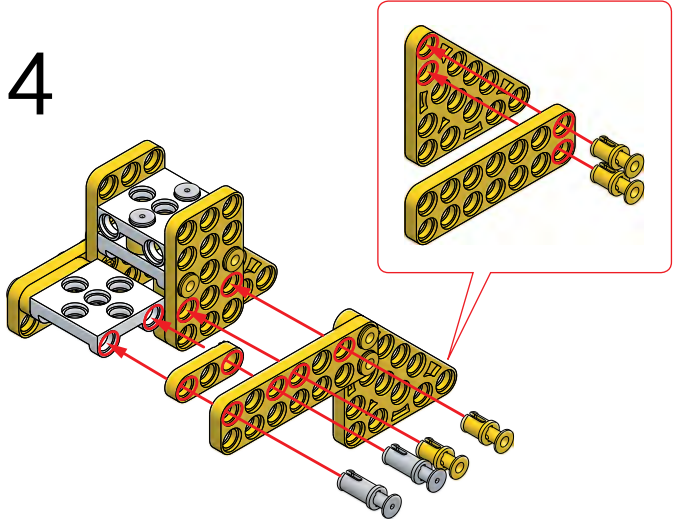
13

 x4	 x2
 x1	 x1
 x1	 x1







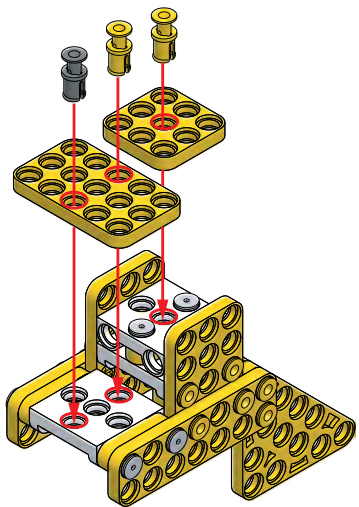
14

 x4
 x2
 x1
 x1
 x1





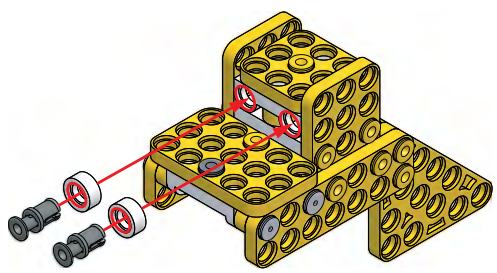
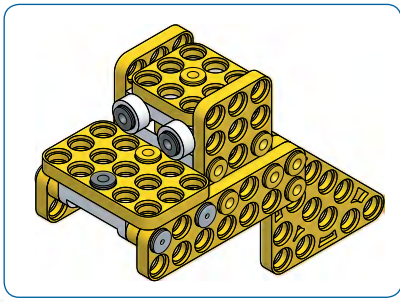
15

 x2
 x1
 x1
 x1



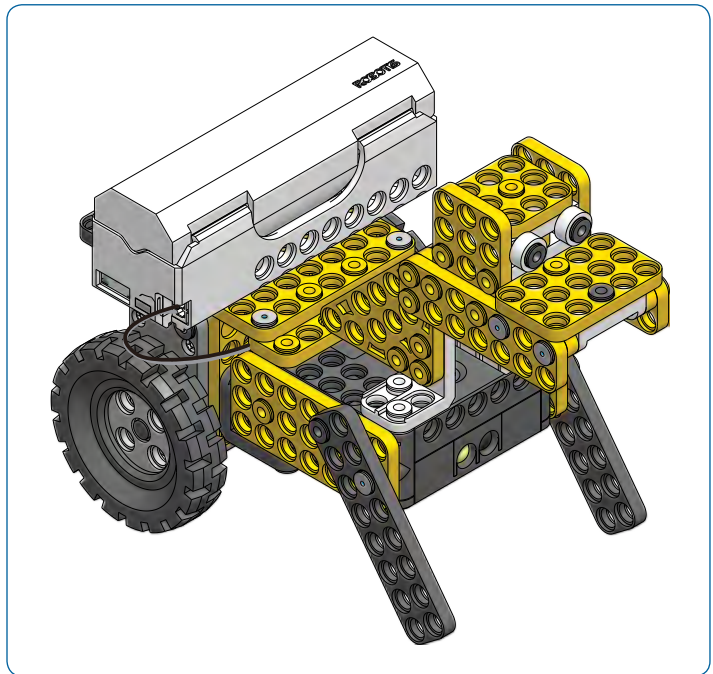
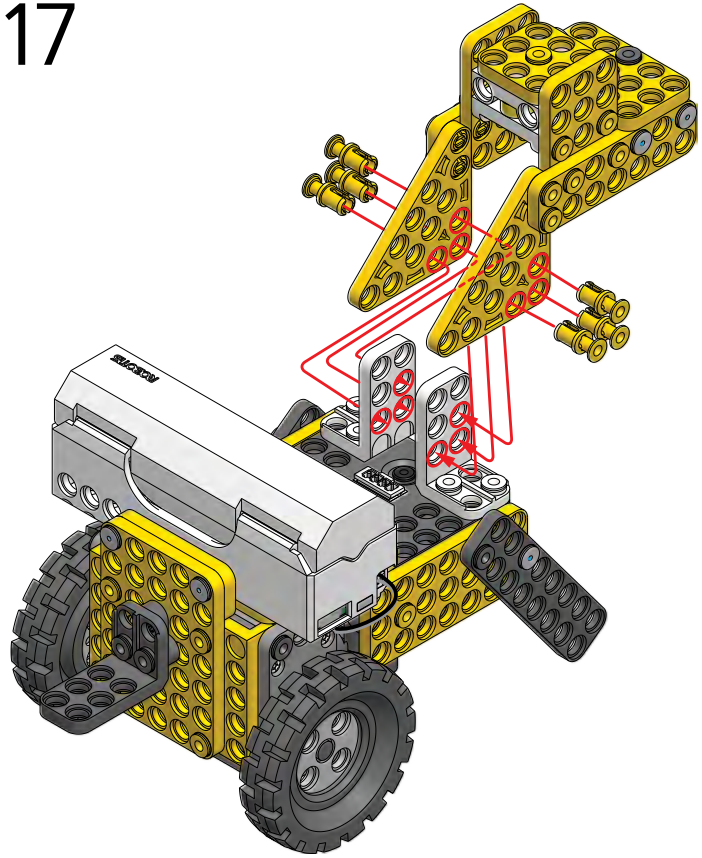
16

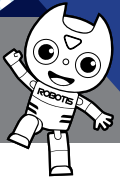
 x2
 x2



 x6
SRV-1H/1P

17



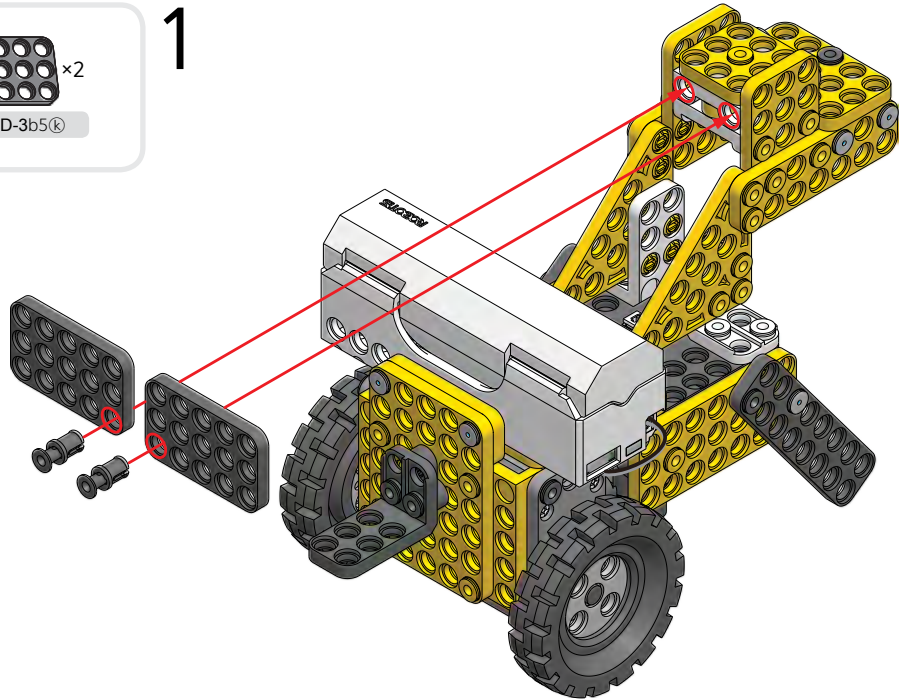


My Own Robot!

Customize the appearance to make your own unique robot.

1

SRV-1H/1P (x2) SPD-3b5 (x2)



2

SRV-1H/1P (x1) SRV-1H/1P (x4)

SPL-1b2 (x1) SPL-2b2 (x2)

