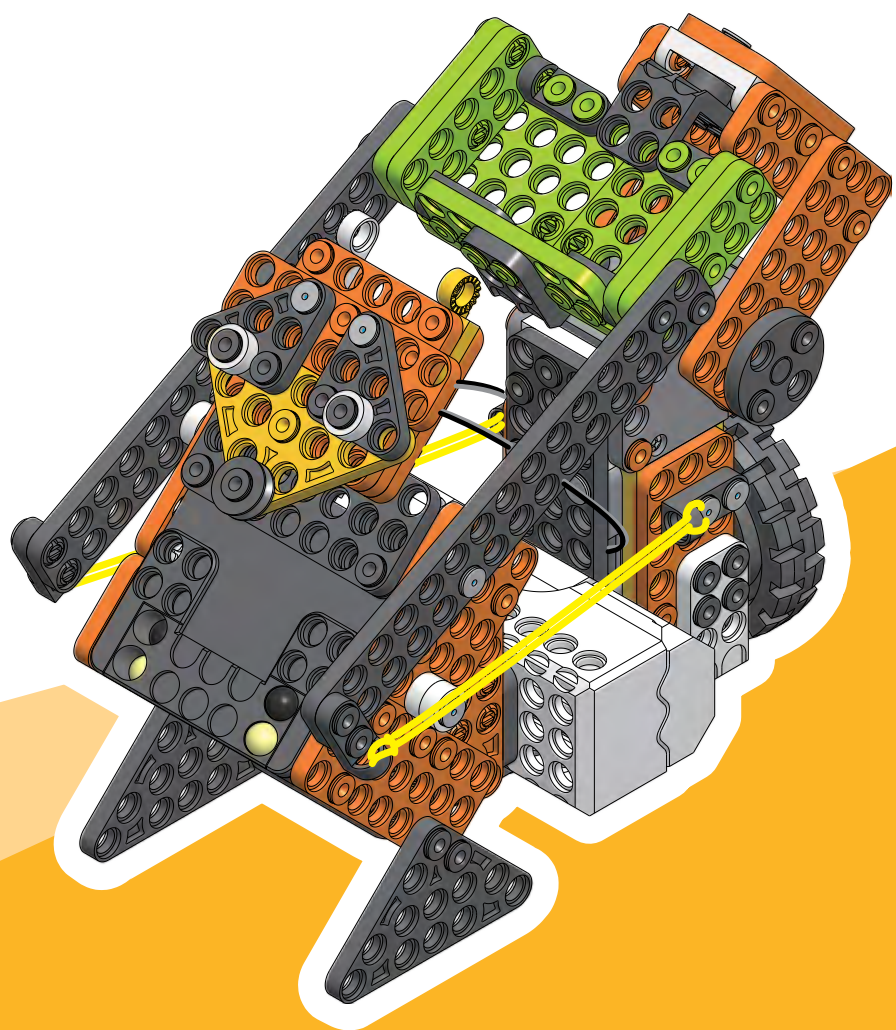
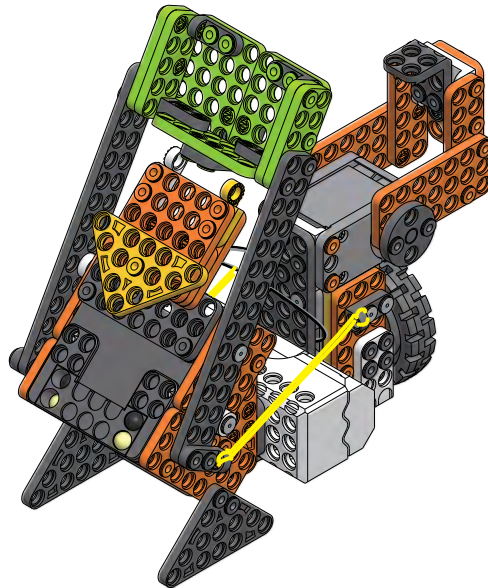


Raccoon

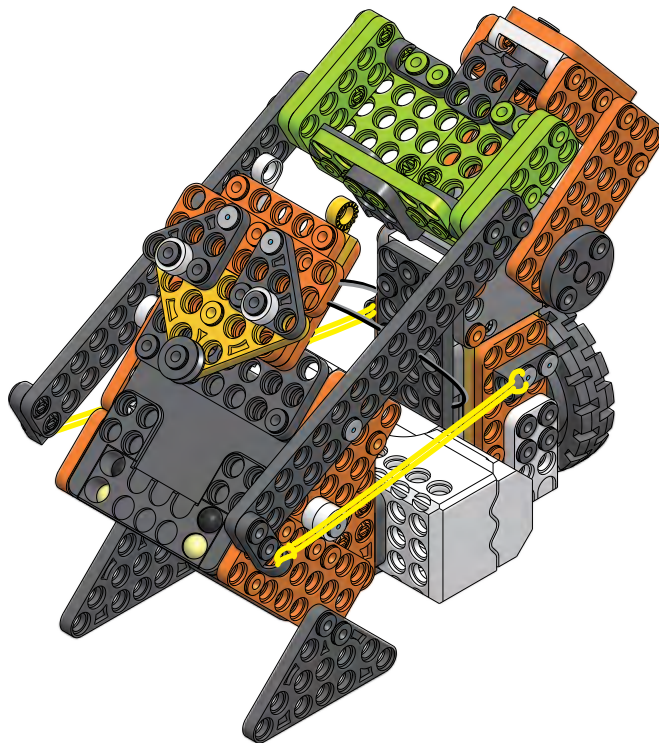


Let's build!

Let's build a robot.

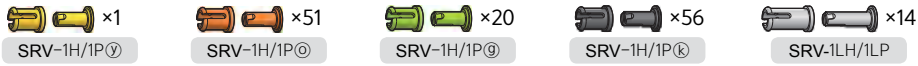


Below is the final image of the robot when you are done with assembling the "My Own Robot" step.

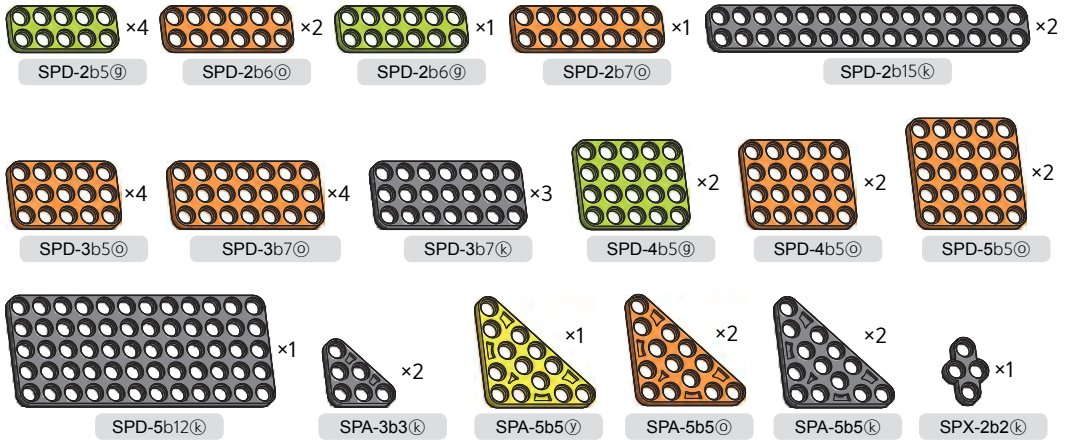


You will require the following parts.

Rivet



Plate



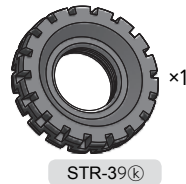
Geared motor



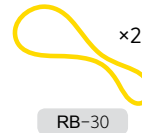
Controller



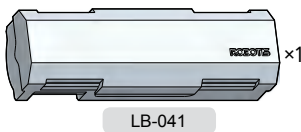
Tire



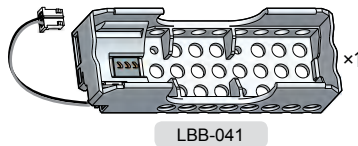
Rubber band



Battery



Battery box



Bracket



Adaptor



Cross horn



Pulley



Spindle



Spacer

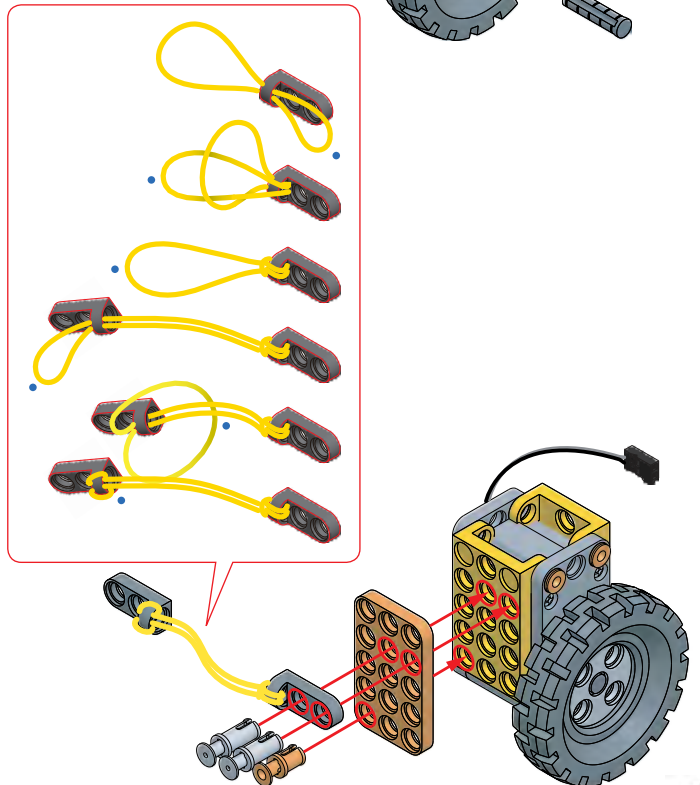
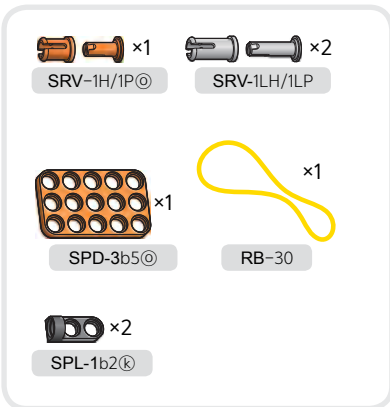
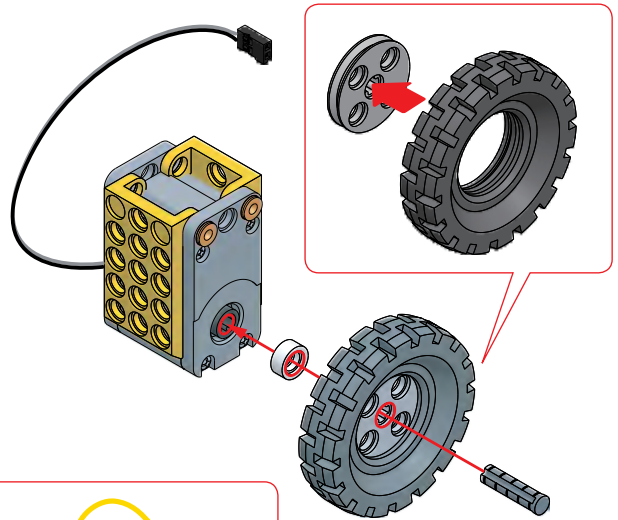
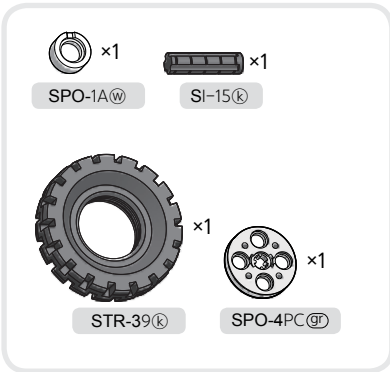
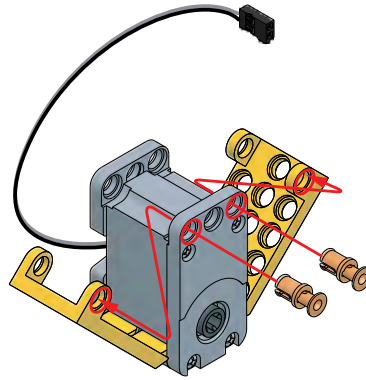
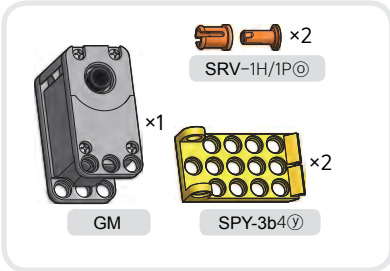




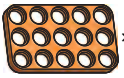
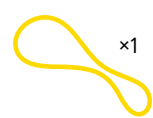

Joint



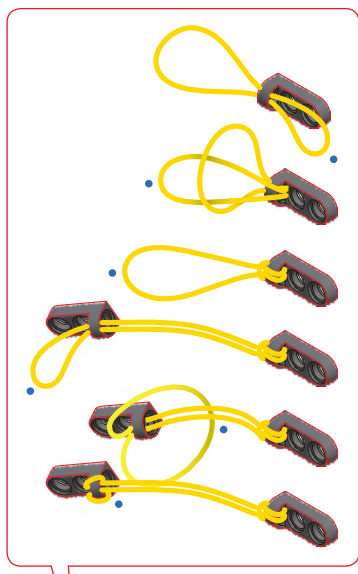
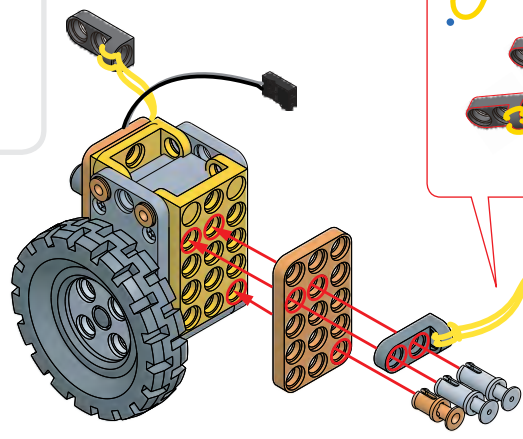
• Parts and color of the products might be different from the images of the assembly manual.


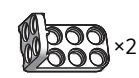

Building a Raccoon Robot



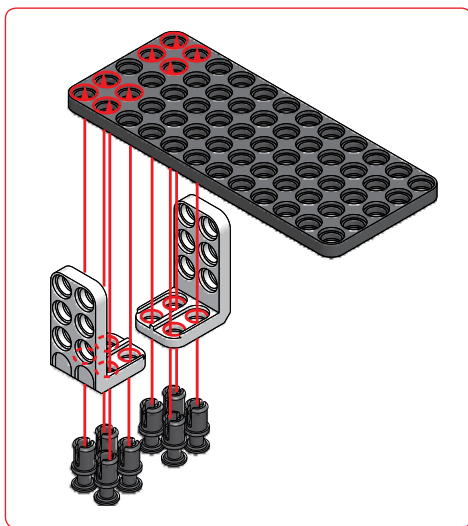
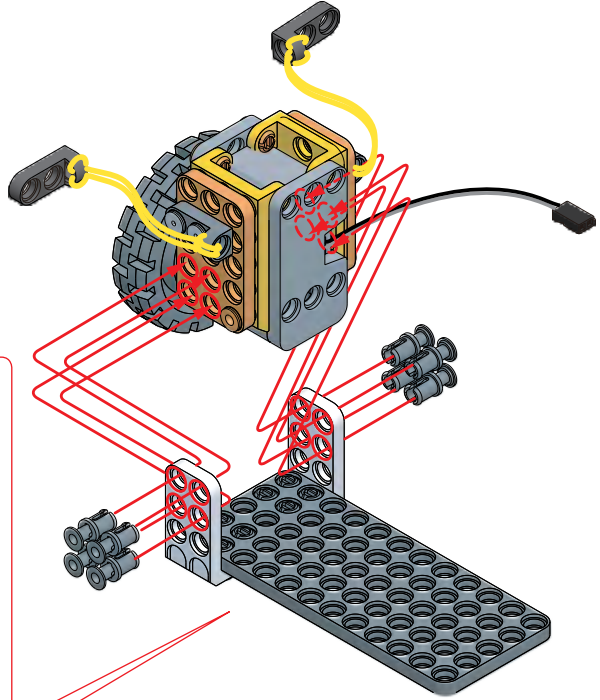
-  ×1
-  ×2
-  ×1
-  ×1
-  ×2

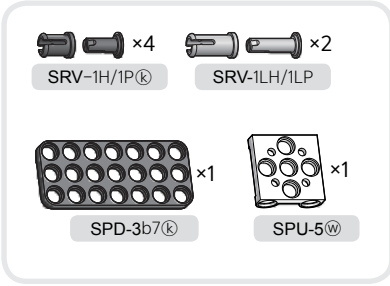
4



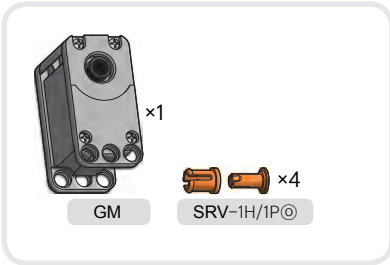
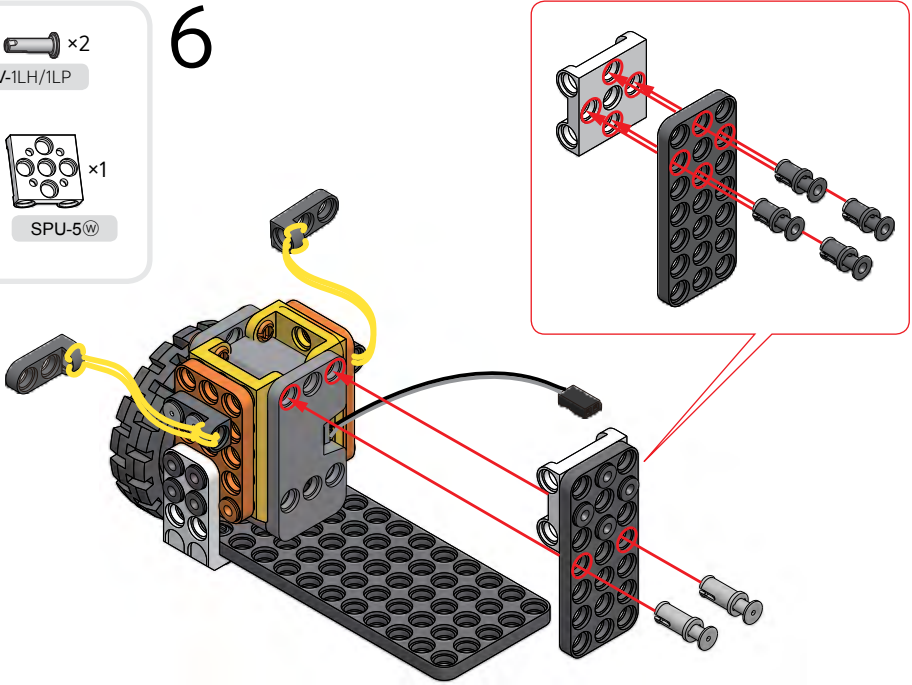
-  ×16
-  ×2
-  ×1

5

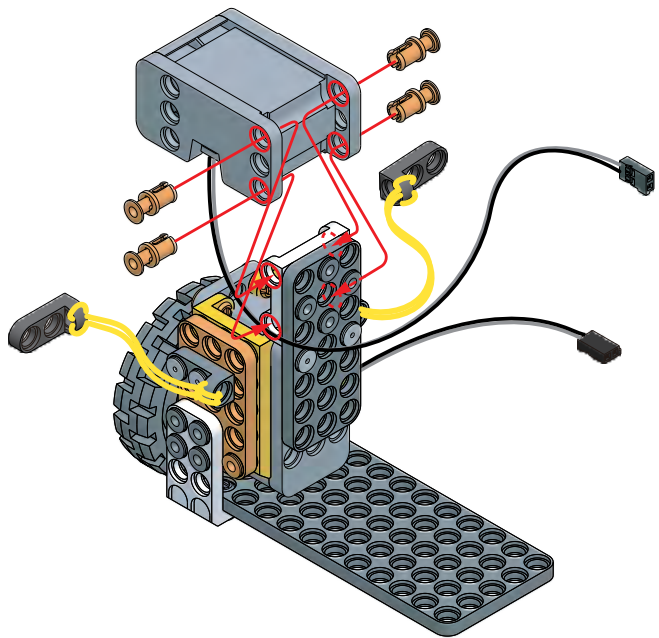




6

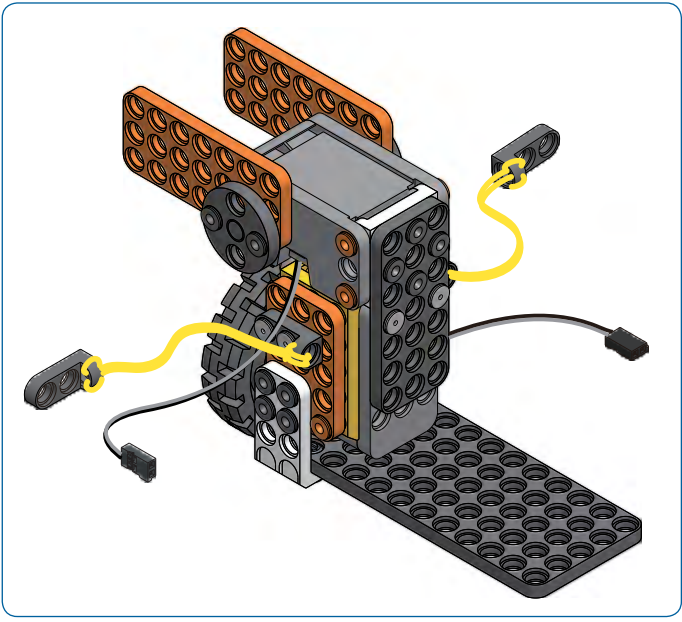
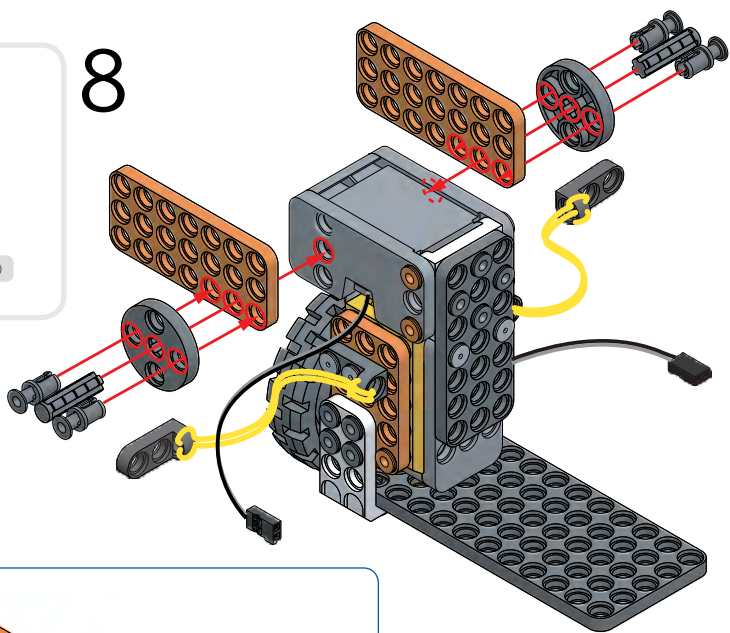


7



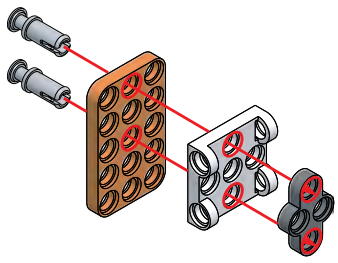
8

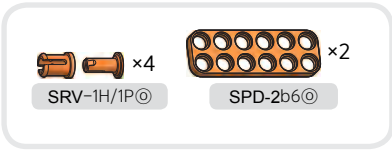
- SRV-1H/IP (x4)
- SI-15 (x2)
- SPD-3b7 (x2)
- SPO-4HC (x2)



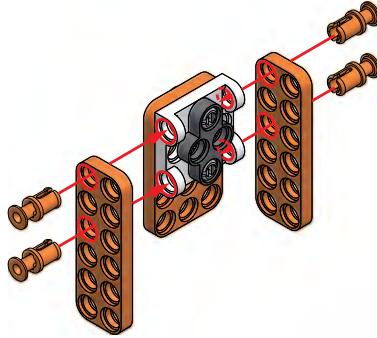
9

- SRV-1LH/ILP (x2)
- SPX-2b2 (x1)
- SPD-3b5 (x1)
- SPU-5 (x1)

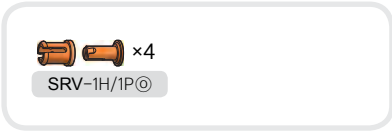
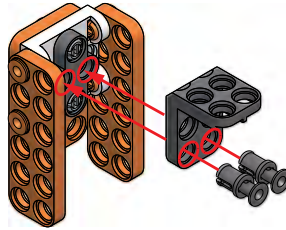




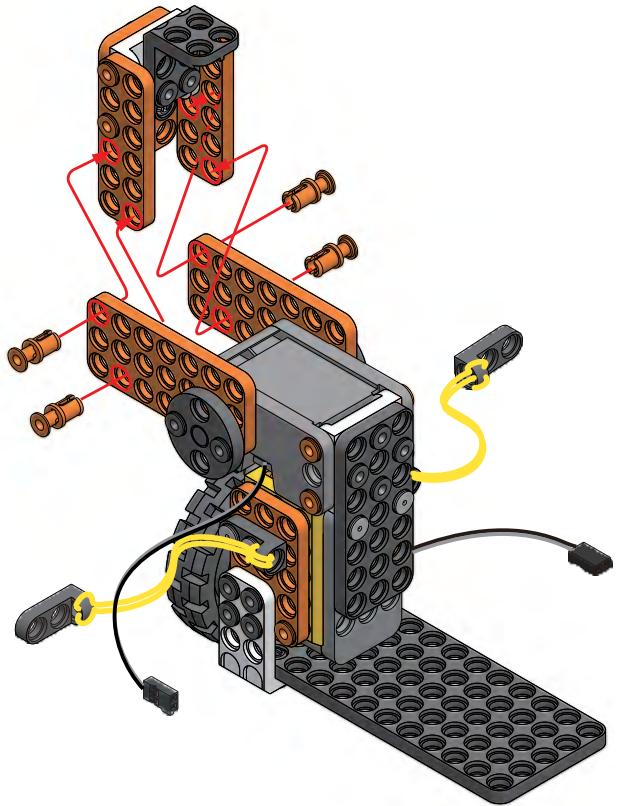
10




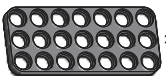
11

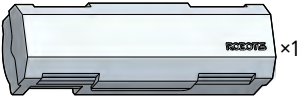


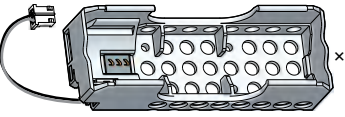
12

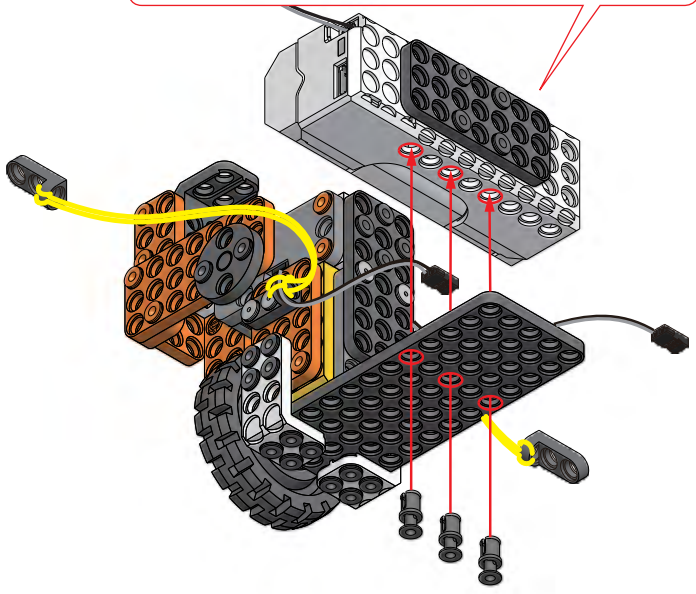
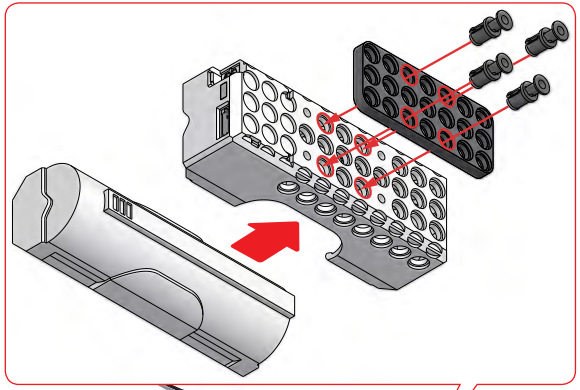


13

 ×7
 ×1
SRV-1H/1P **SPD-3b7**

 ×1
LB-041

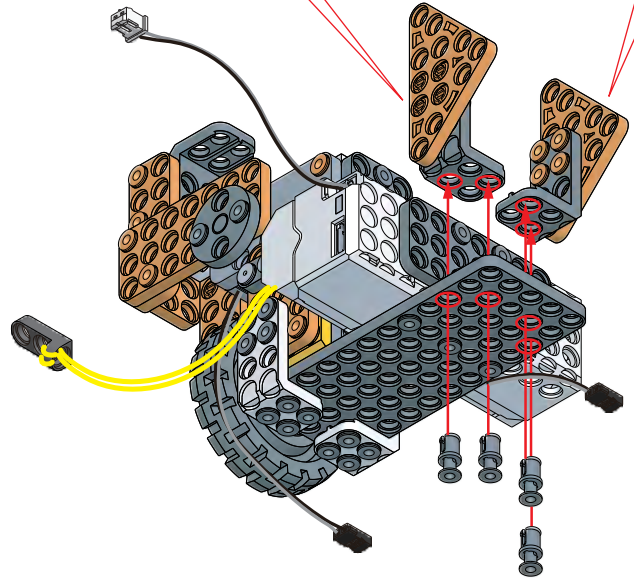
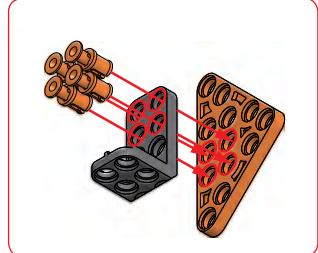
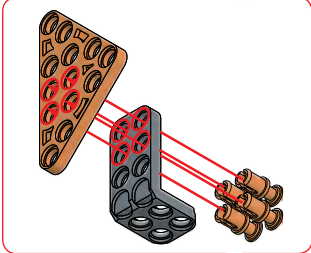
 ×1
LBB-041

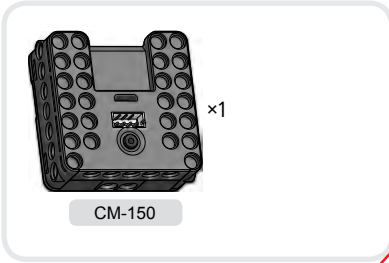


14

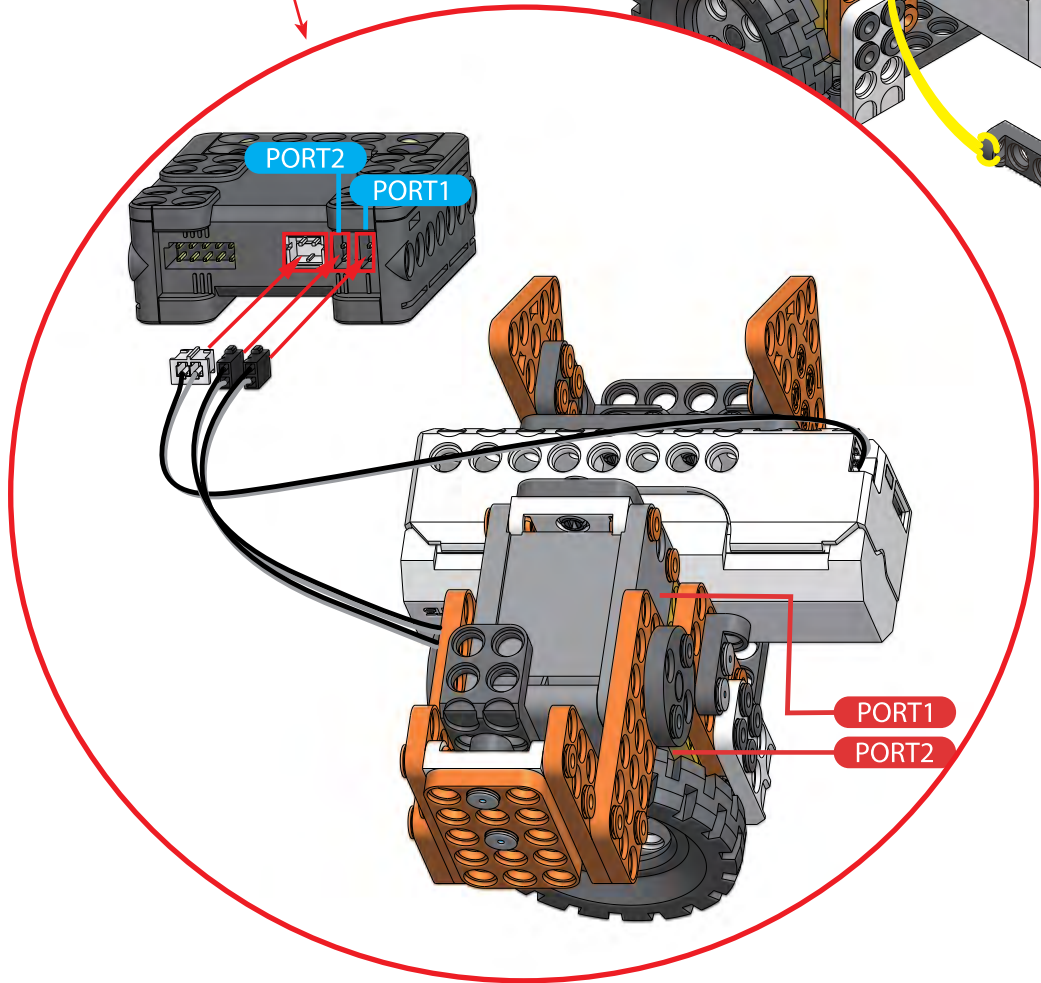
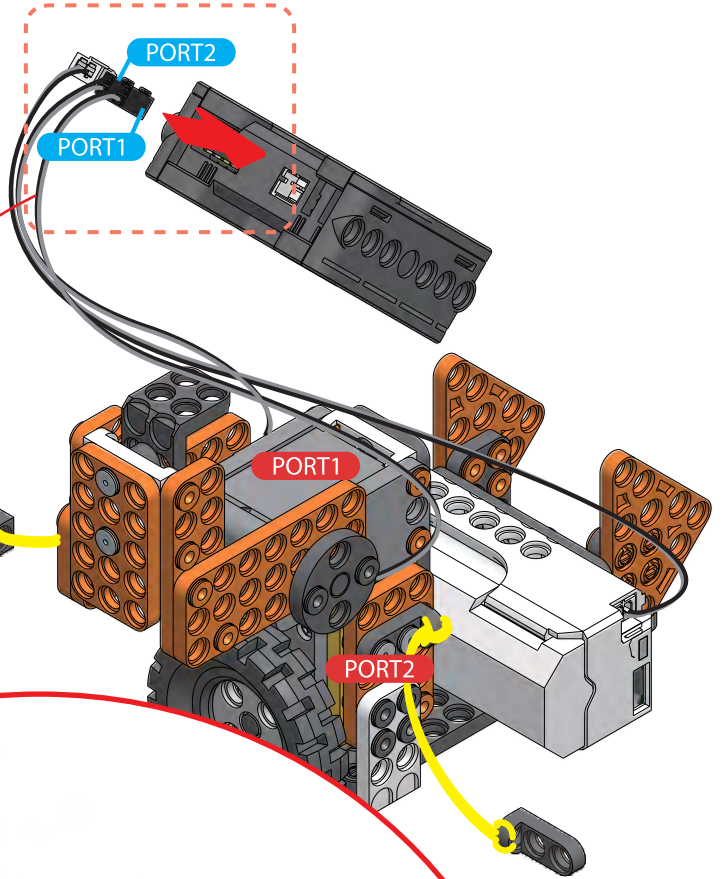
 ×8  ×4
SRV-1H/1P **SRV-1H/1P**

 ×2  ×2
SPA-5b5 **SPL-2b3**



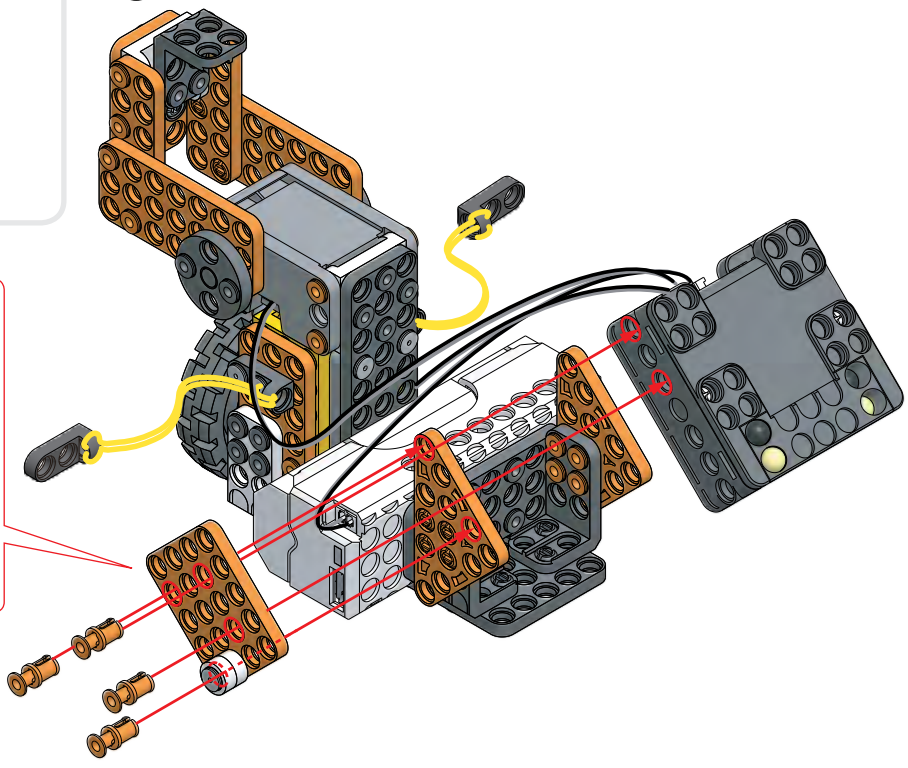
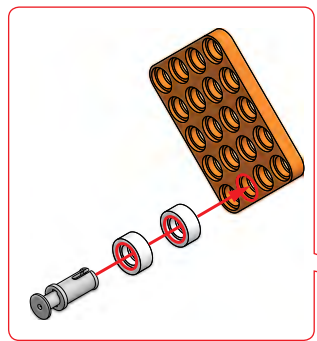


15



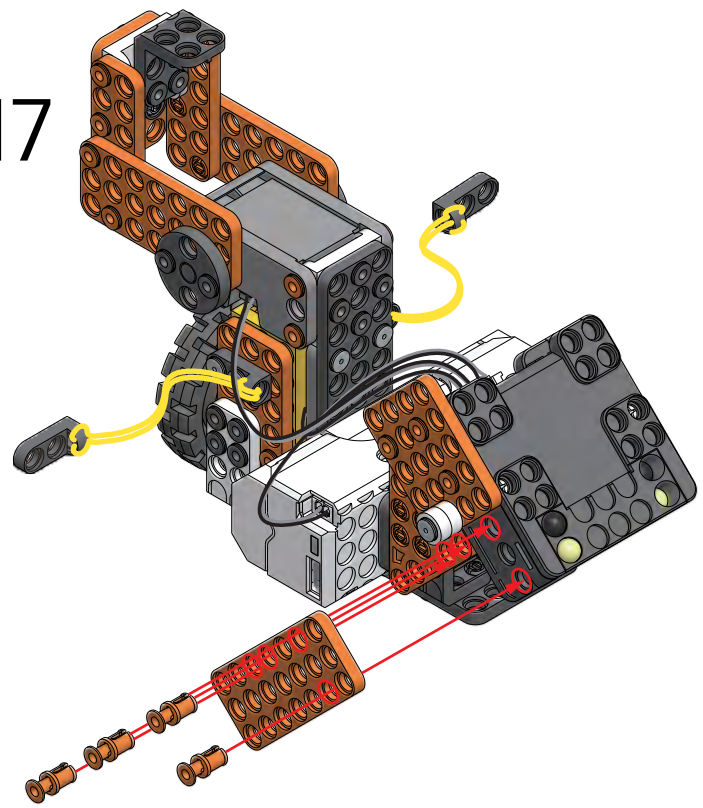
16

- SRV-1H/1PⓄ ×4
- SRV-1LH/1LP ×1
- SPD-4b5Ⓞ ×1
- SPO-1AⓄ ×2

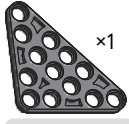


17

- SRV-1H/1PⓄ ×4
- SPD-3b7Ⓞ ×1



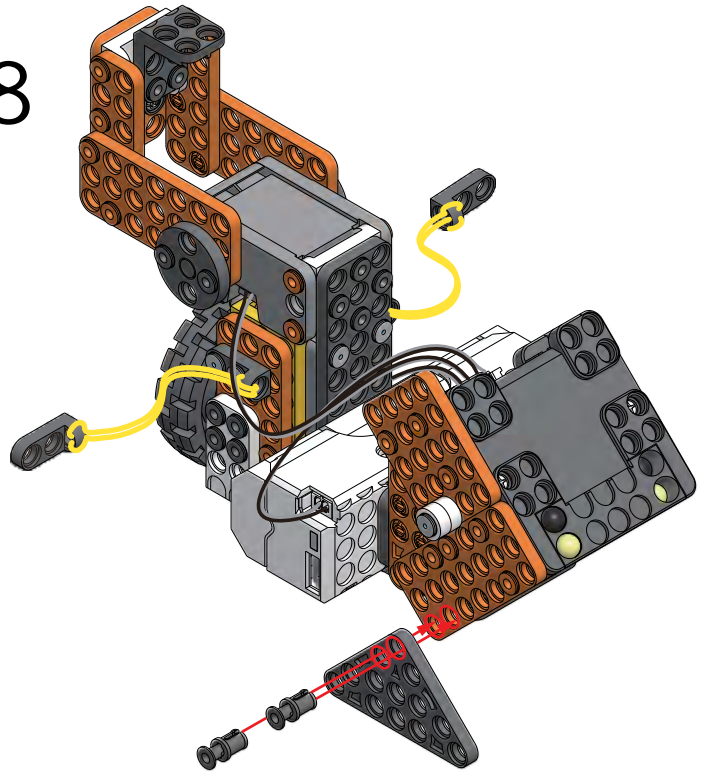
18



SPA-5b5 (K)



SRV-1H/1P (K)



19



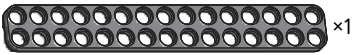
SRV-1H/1P (K)



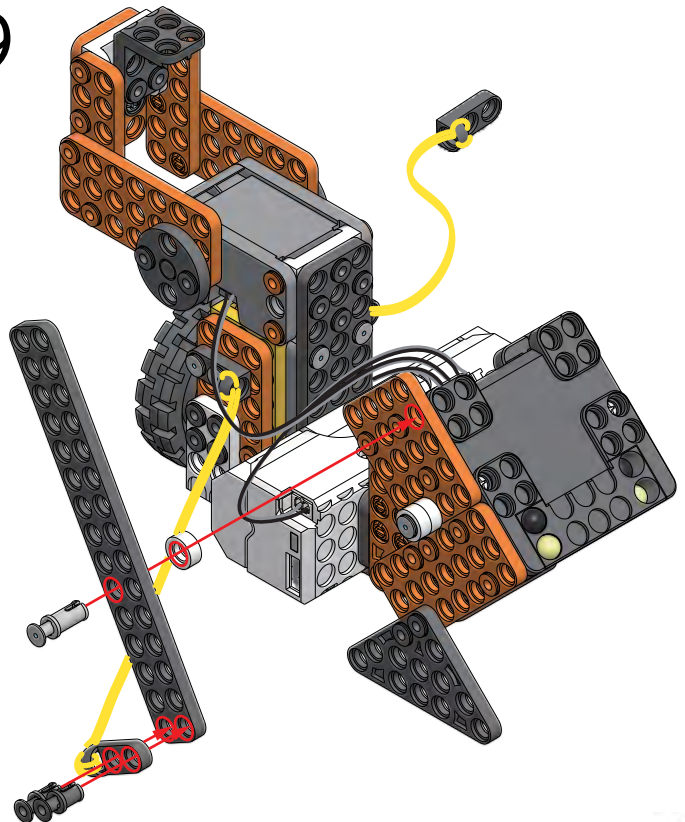
SRV-1LH/1LP (K)







SPO-1A (W)

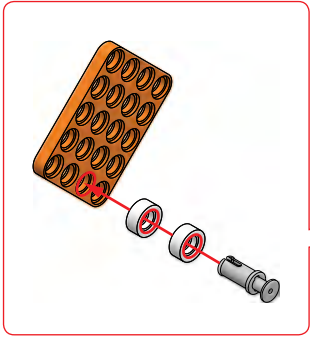
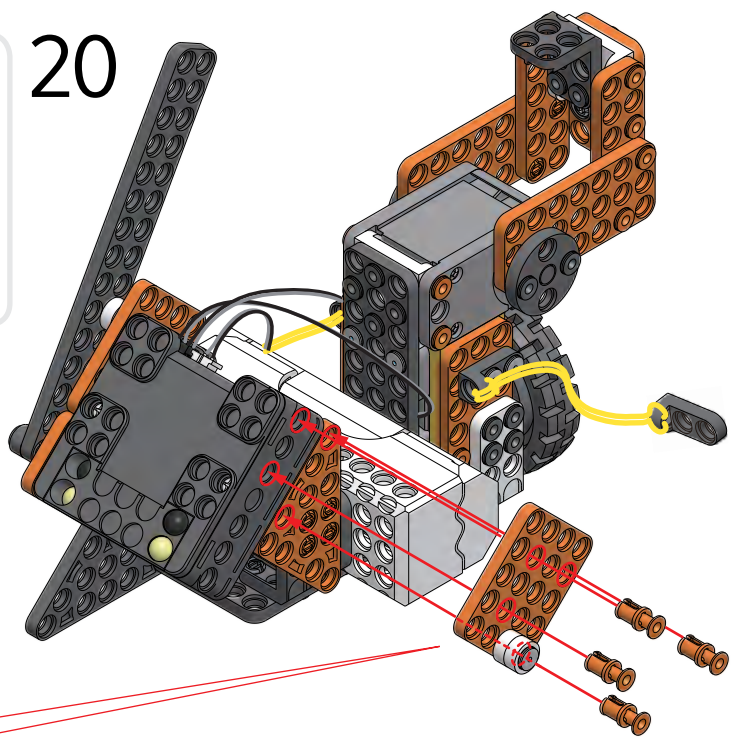


SPD-2b15 (K)



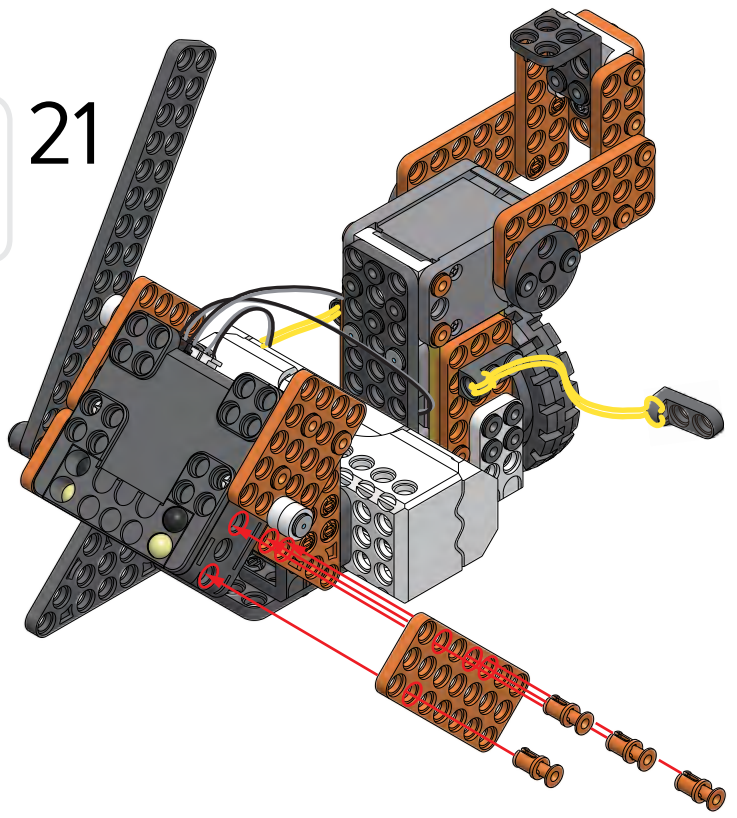
20

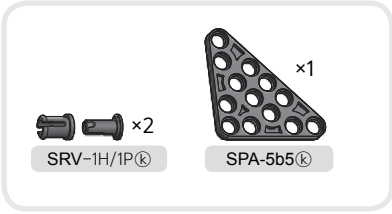
-  ×4
-  ×1
-  ×1
-  ×2



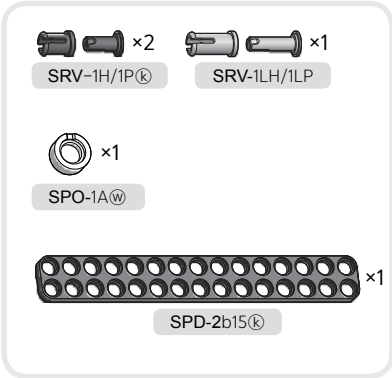
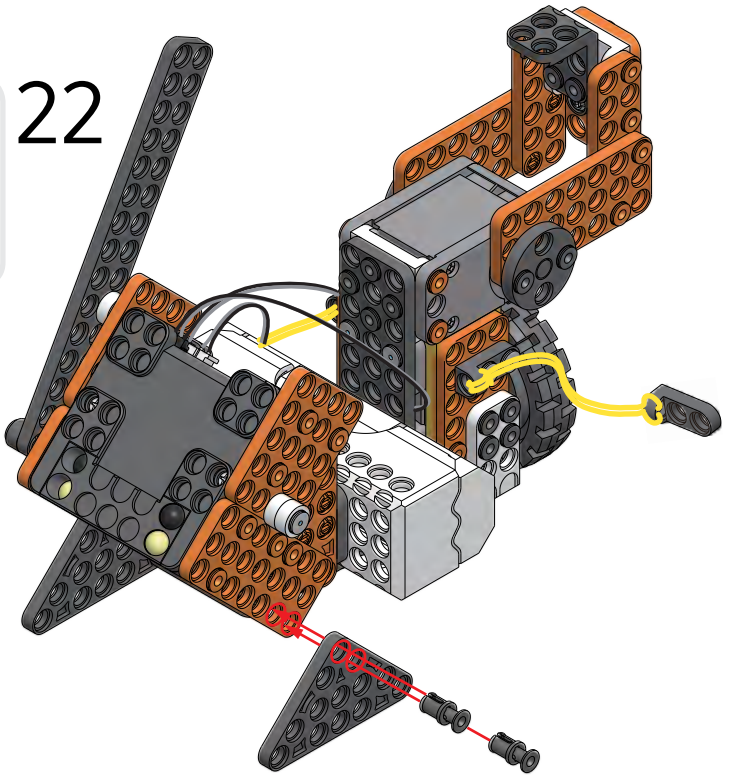
21

-  ×4
-  ×1

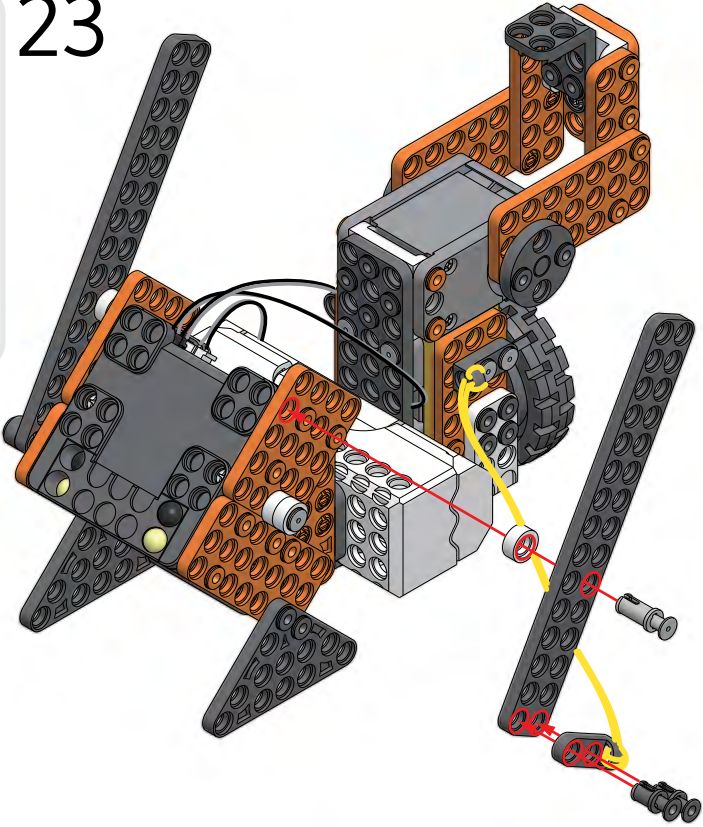


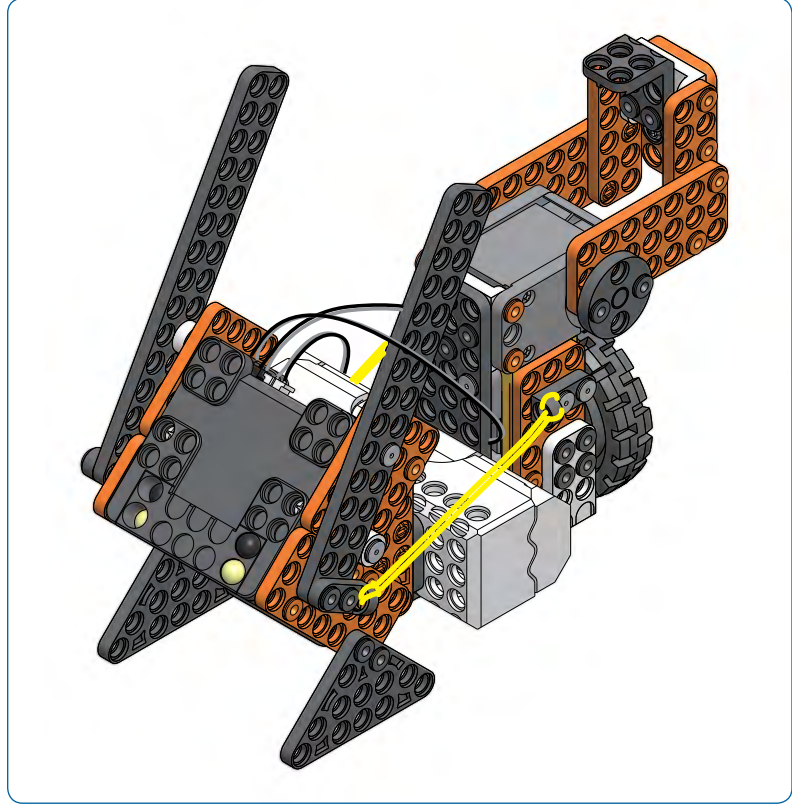


22



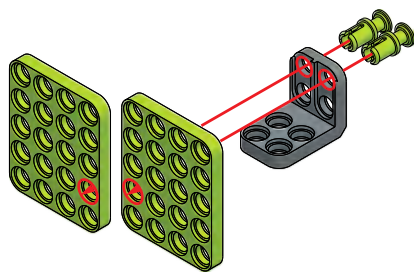
23







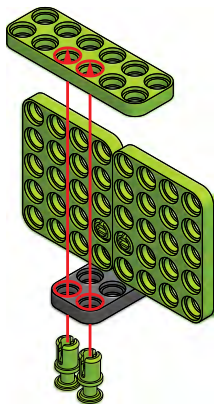
 ×2
 SRV-1H/1P ⑨
 ×1
 SPL-2b2 ⑫
 ×2
 SPD-4b5 ⑨

24



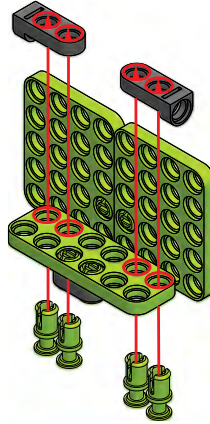
 ×2
 SRV-1H/1P ⑨
 ×1
 SPD-2b6 ⑨

25



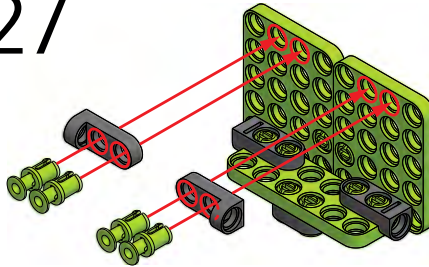
SRV-1H/1P ⑨ ×4 SPL-1b2 ⑩ ×2

26



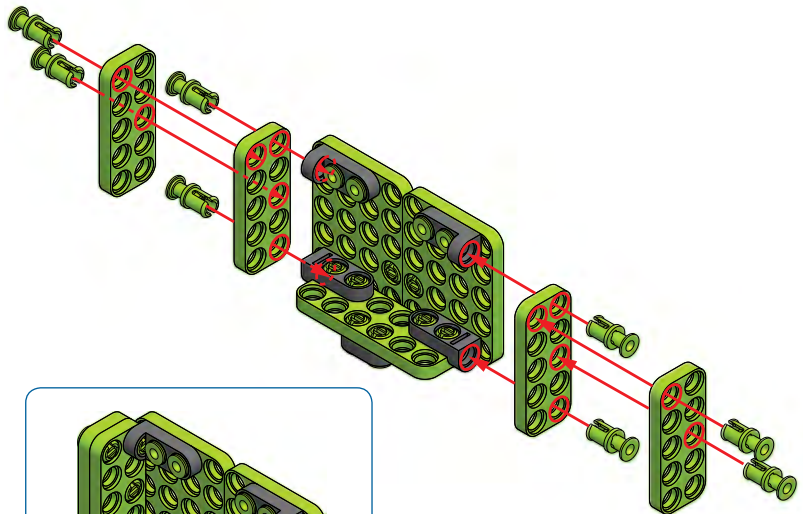
SRV-1H/1P ⑨ ×4 SPL-1b2 ⑩ ×2


27



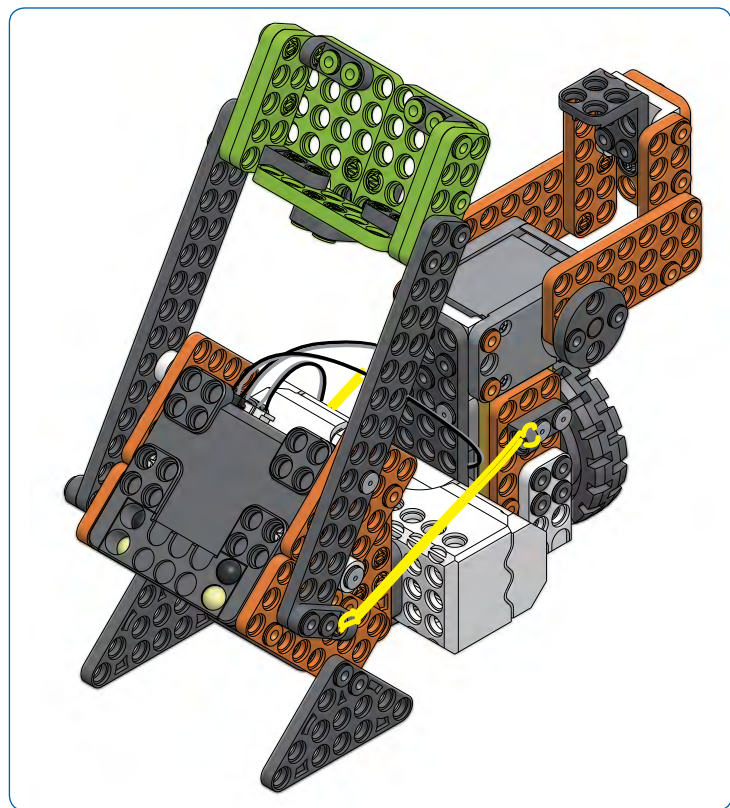
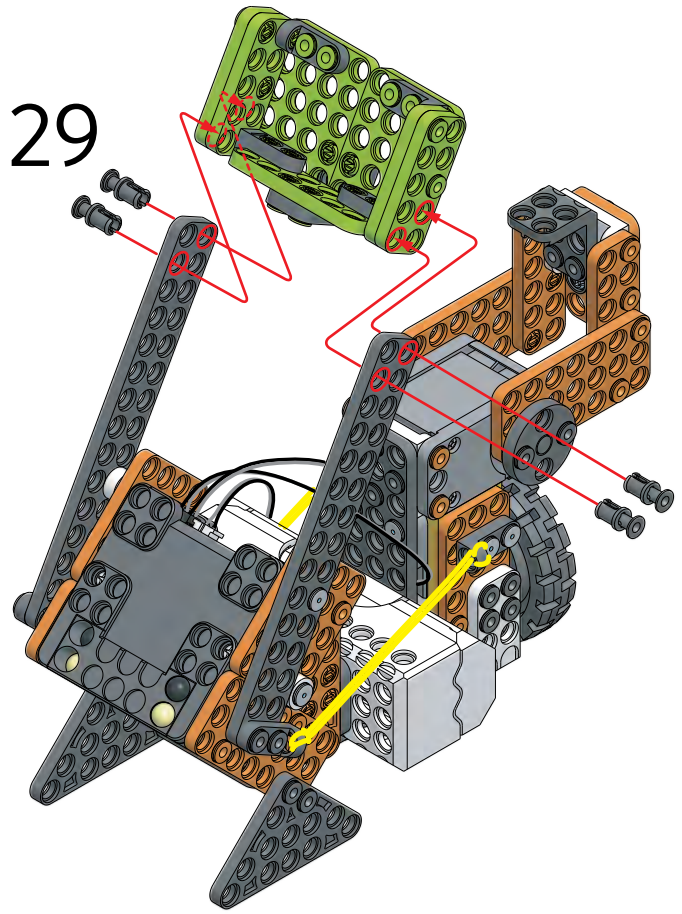
SRV-1H/1P ⑨ ×8 SPD-2b5 ⑨ ×4

28



 x4
SRV-1H/1P

29

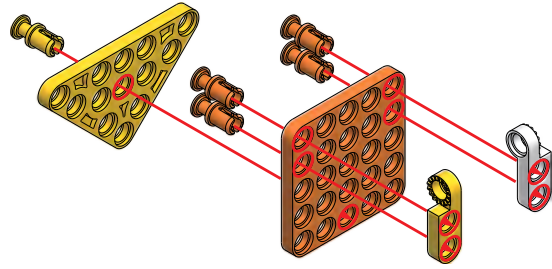


SRV-1H/1PⓄ ×4 SRV-1H/1PⓈ ×1

SPJ-1b2RⓈ ×1 SPJ-1b2LⓈ ×1

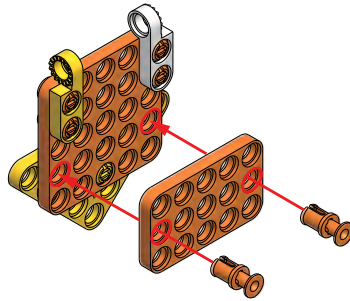
SPD-5b5Ⓞ ×1 SPA-5b5Ⓢ ×1

30



SRV-1H/1PⓄ ×2 SPD-3b5Ⓞ ×1

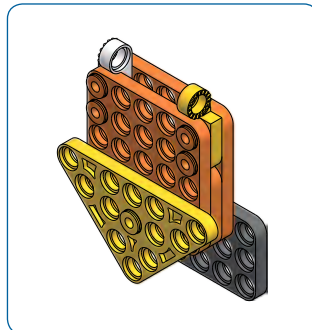
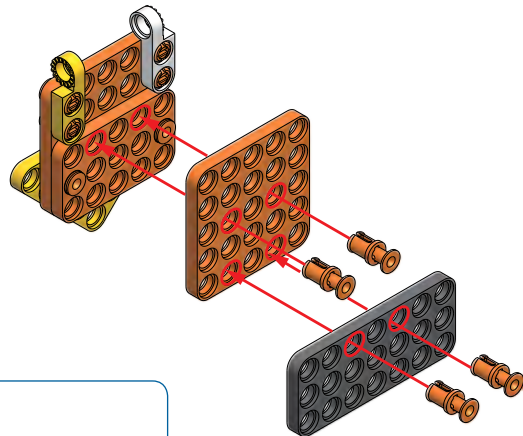
31



SRV-1H/1PⓄ ×4

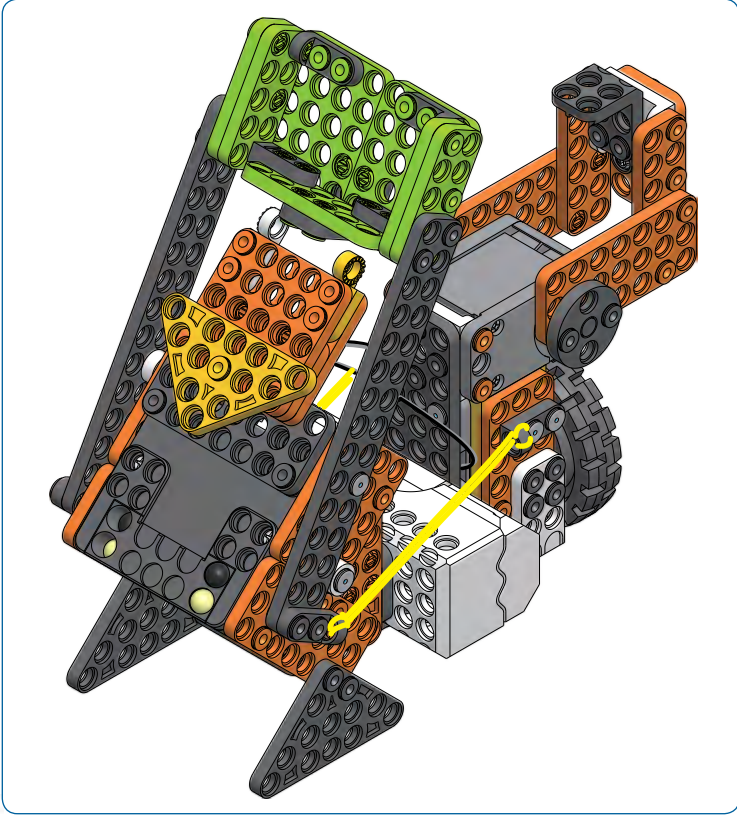
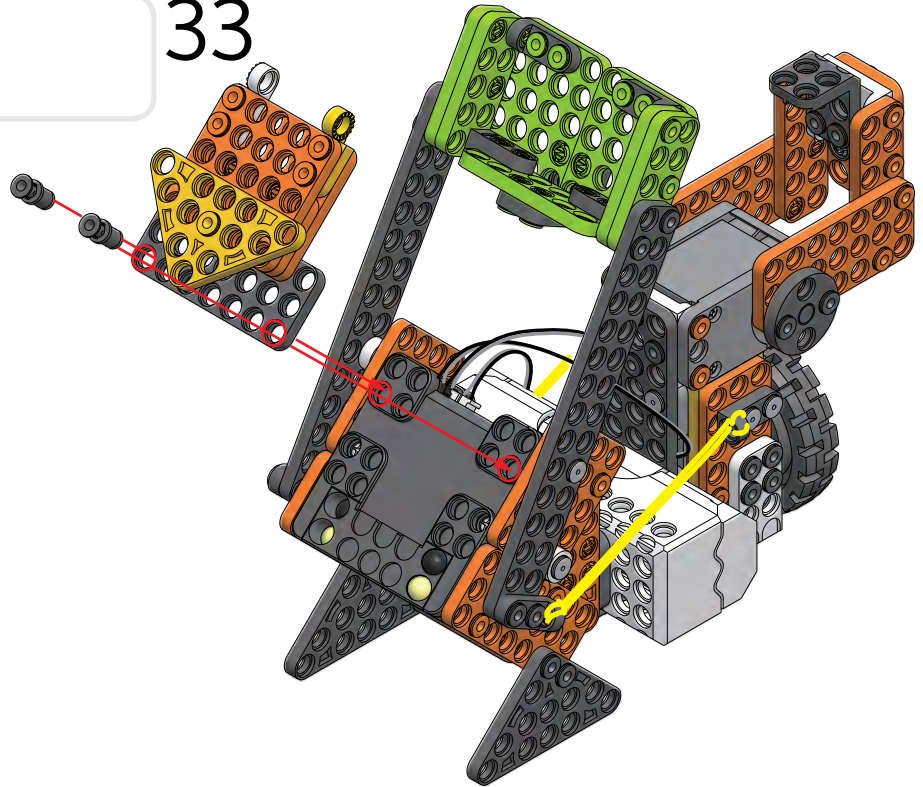
SPD-3b7Ⓢ ×1 SPD-5b5Ⓞ ×1

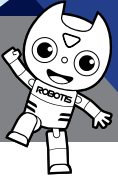
32



33

SRV-1H/IP x2




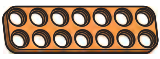


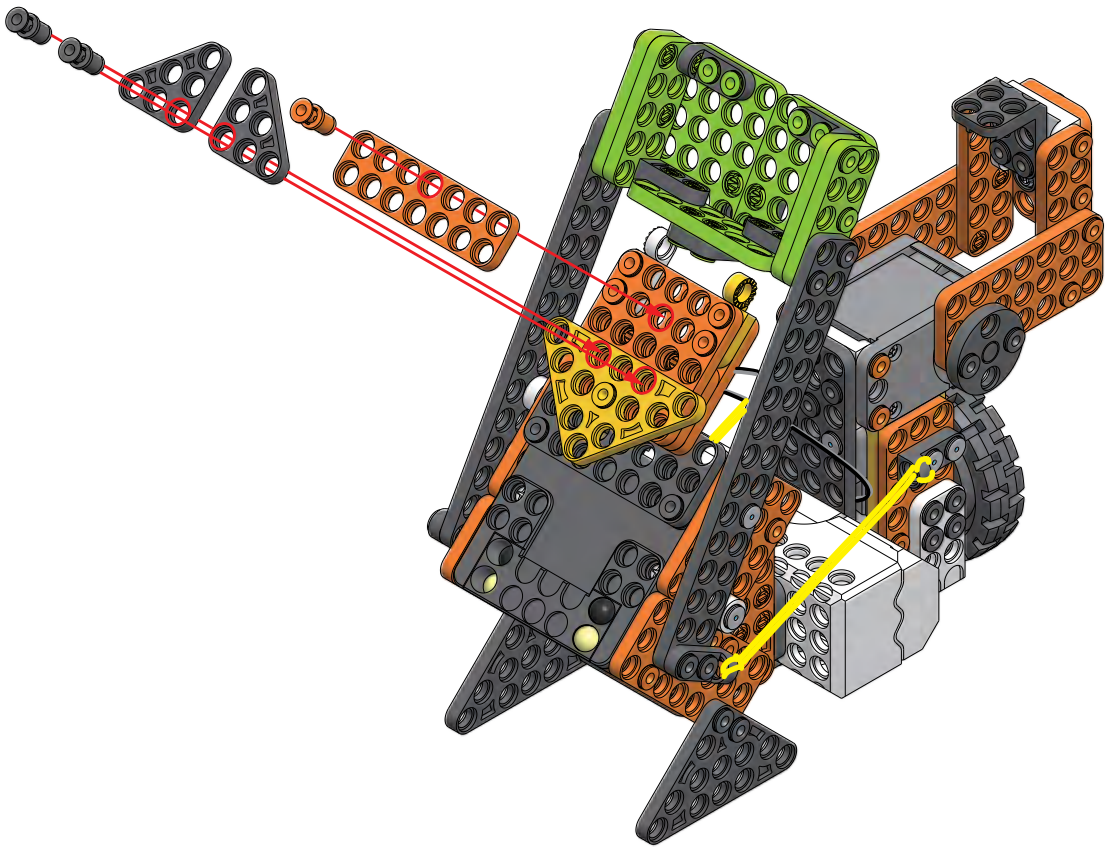


My Own Robot!

Customize the appearance to make your own unique robot.

1

 x1	 x2
SRV-1H/1PⓄ	SRV-1H/1PⓀ
 x2	 x1
SPA-3b3Ⓚ	SPD-2b7Ⓞ



2

- SRV-1H/1P ⊗ ×3
- SRV-1LH/1LP ×2
- SPO-1PR ⊗ ×1
- SPO-1A ⊗ ×2

