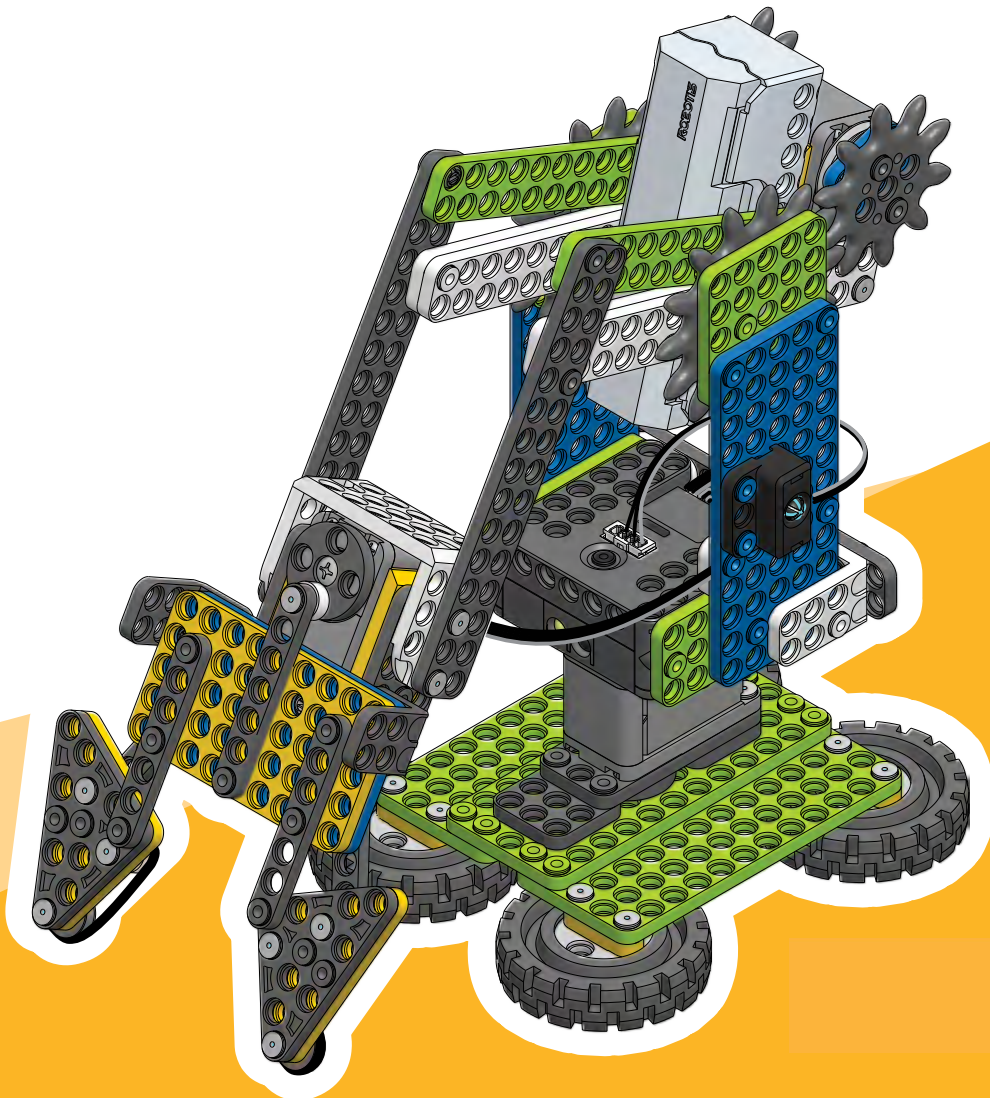


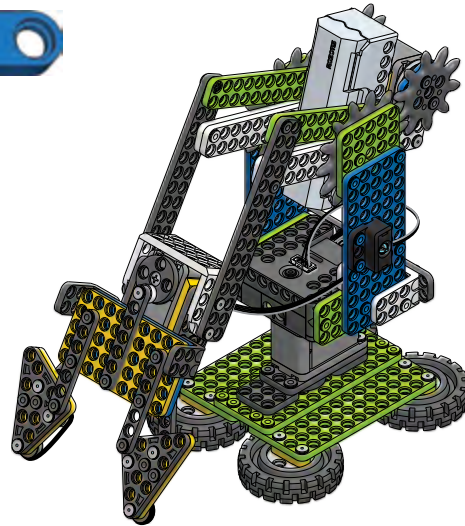


Robot Arm



Let's build!

Let's build a robot.

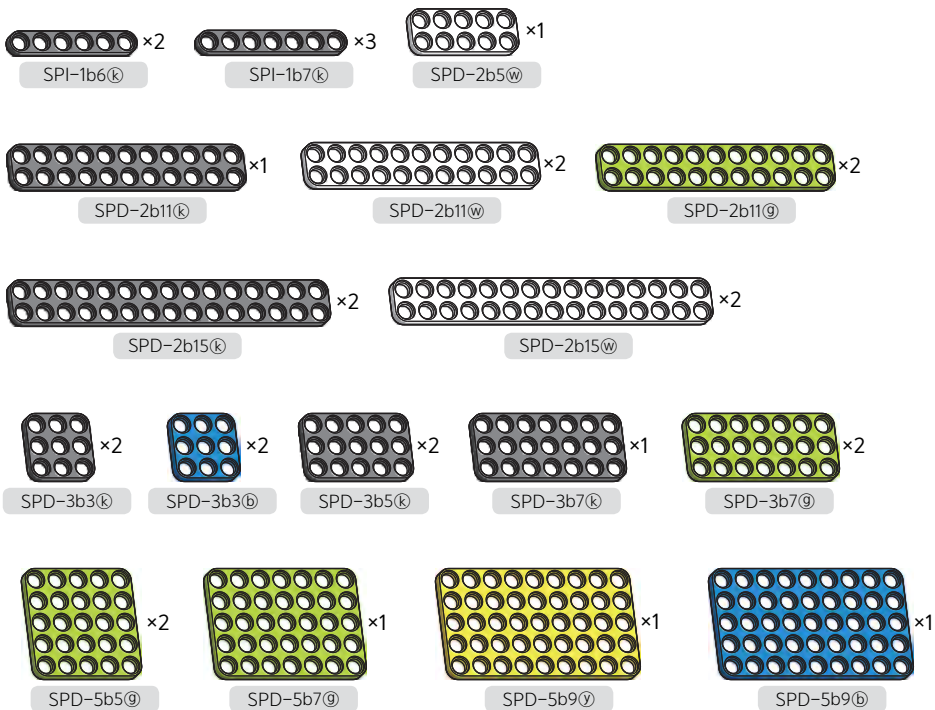


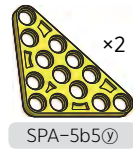
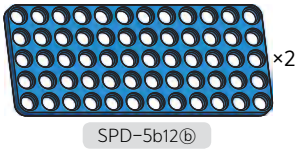
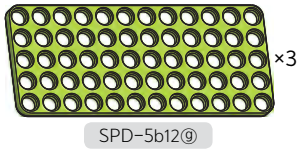
This chapter requires the following parts.

Rivet

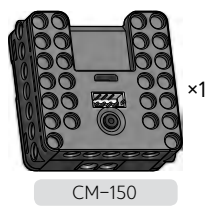


Plate

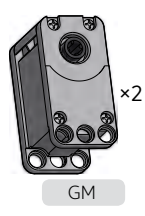




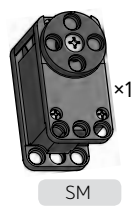
Controller



Geared motor



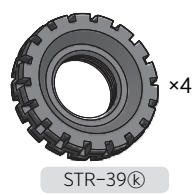
Servo motor



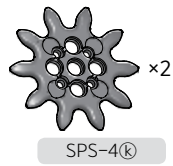
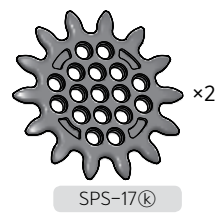
Cable



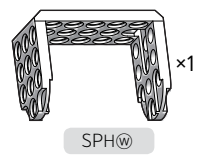
Tire



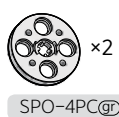
Sprocket



Hinge



Pulley



Cross horn



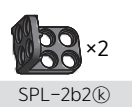
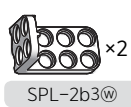
Spacer



Spindle



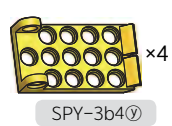
Bracket



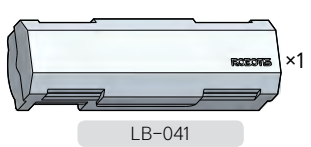
Joint



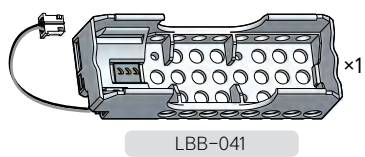
Adaptor



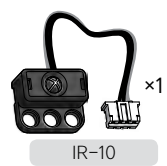
Battery



Battery box

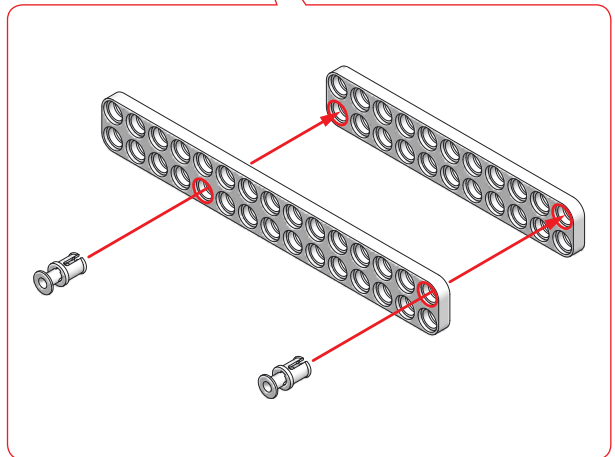
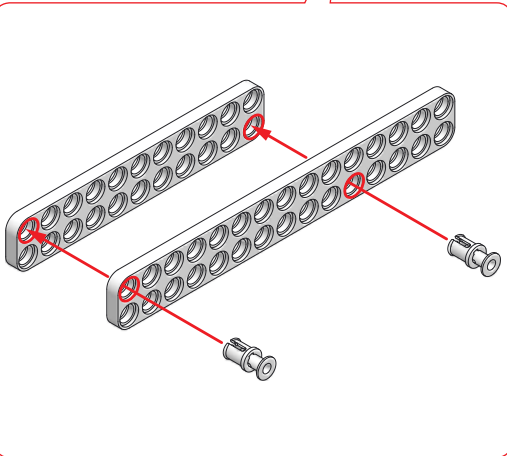
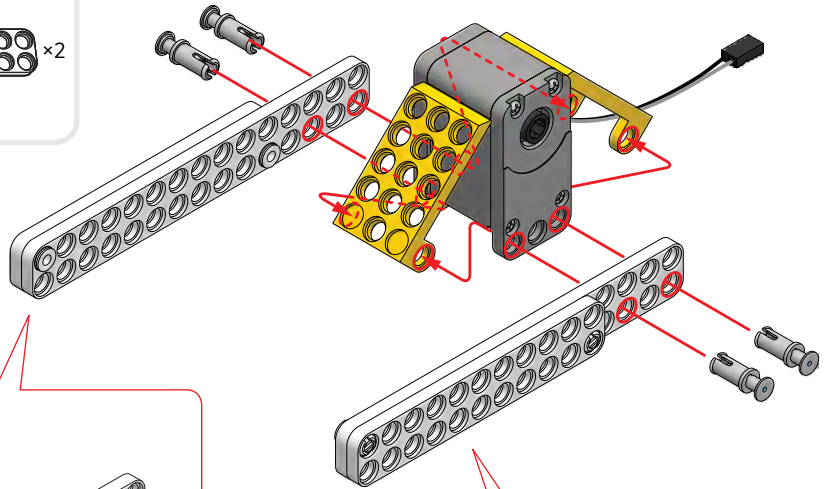
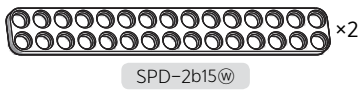
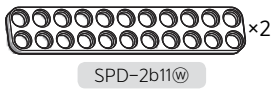
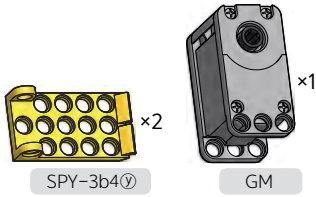
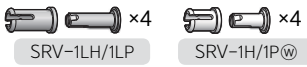


IR Receiver

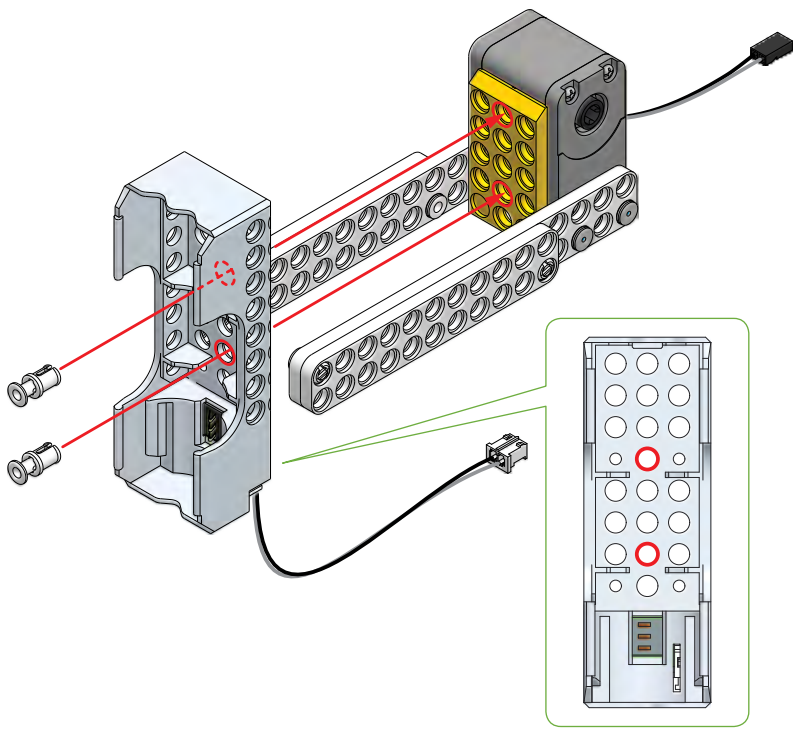
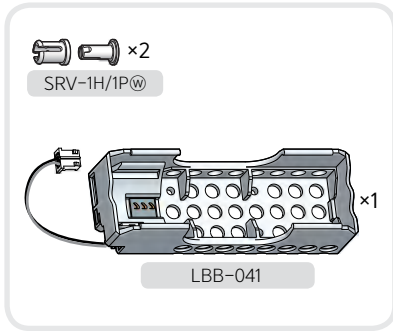


Building the robot arm

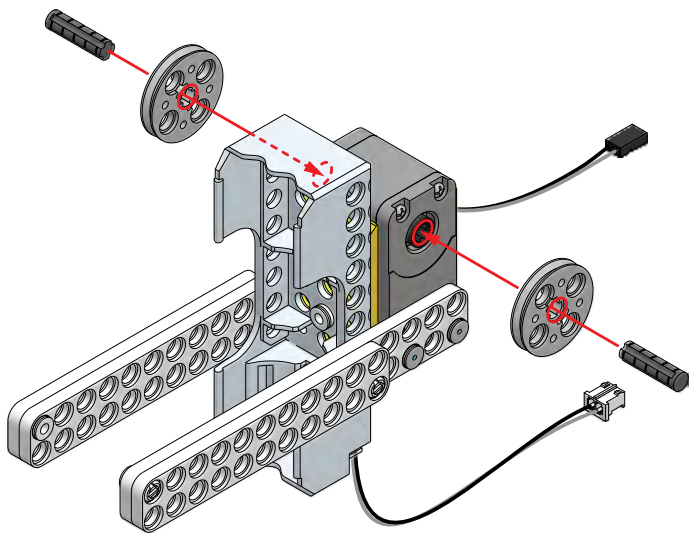
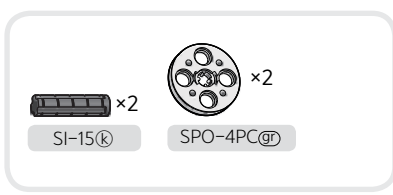
1

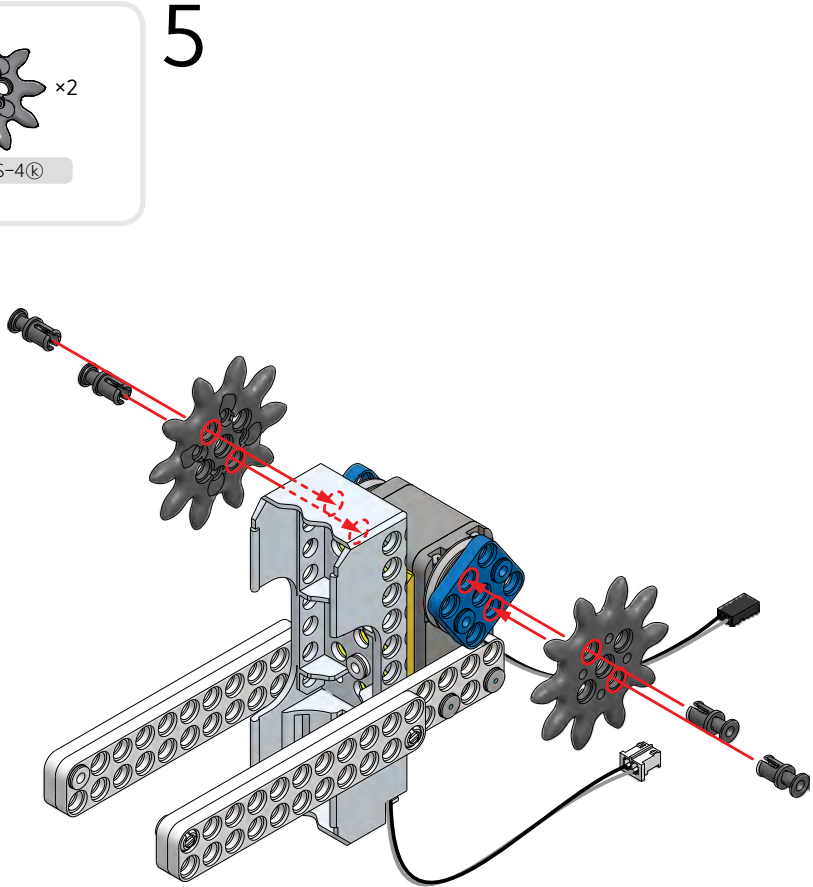
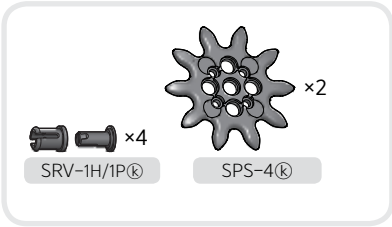
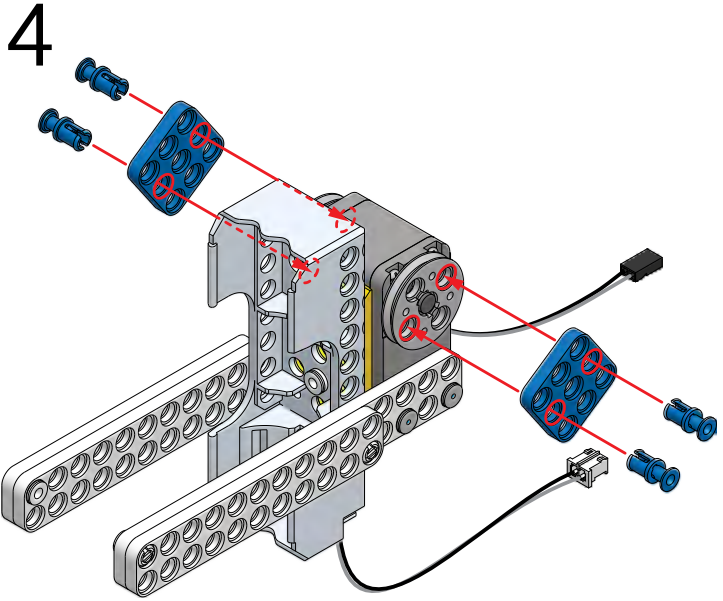


2



3



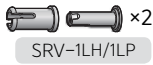




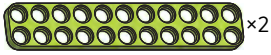
6



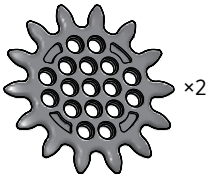
SRV-1H/1P⑨



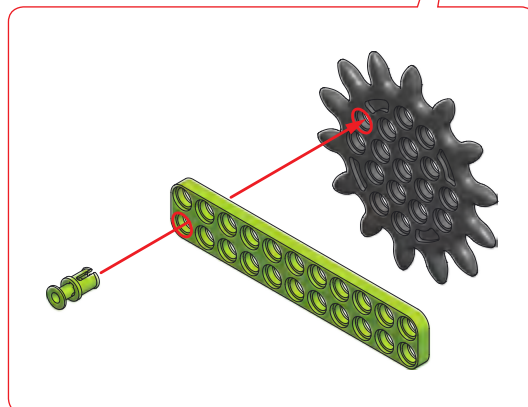
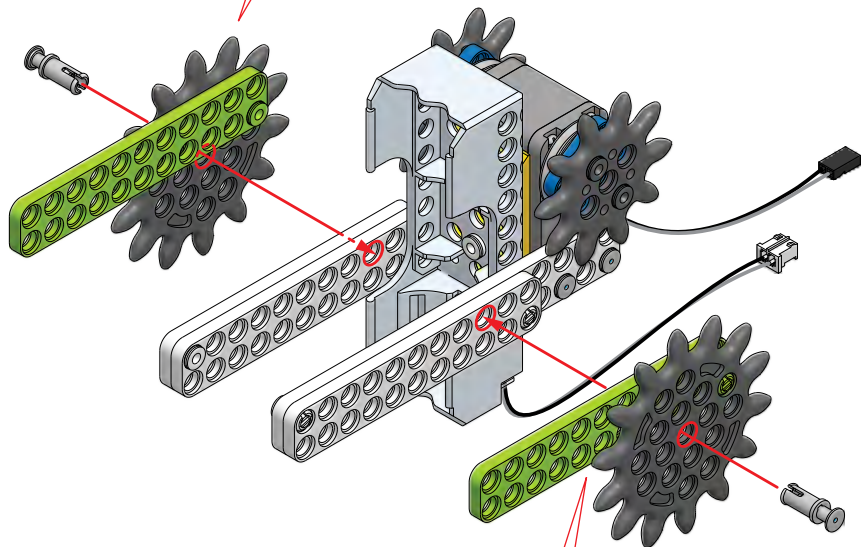
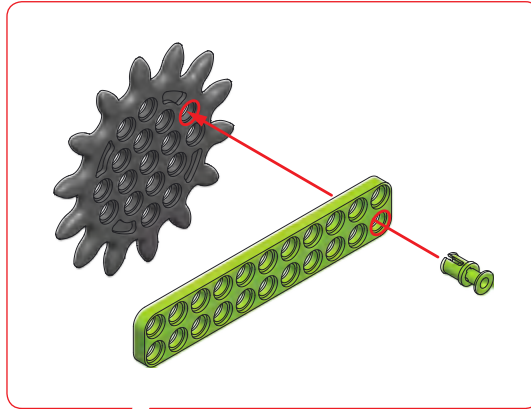
SRV-1LH/1LP

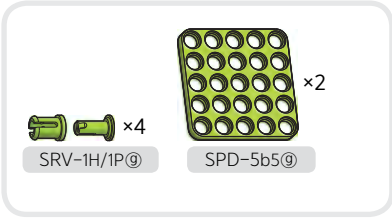


SPD-2b11⑨

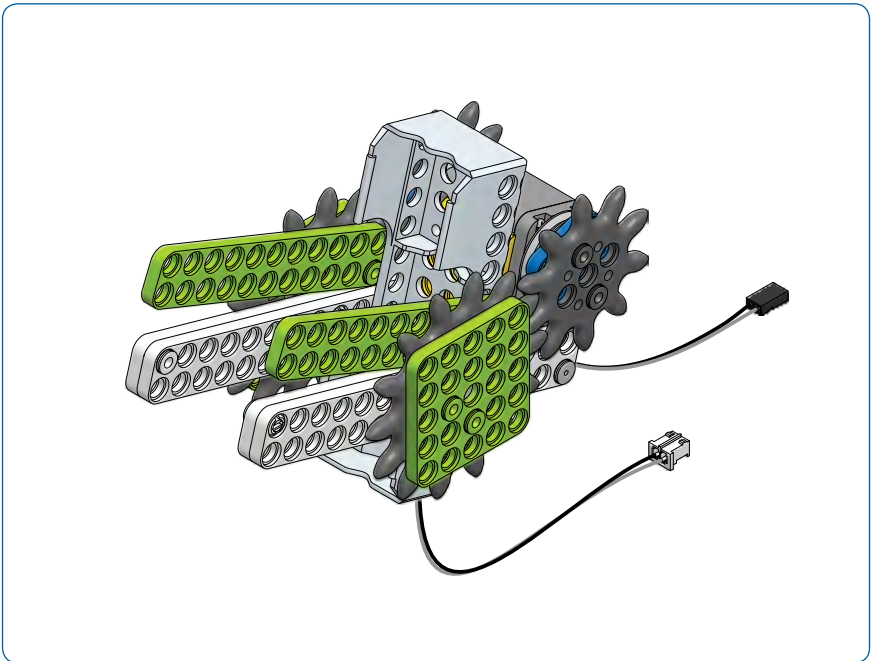
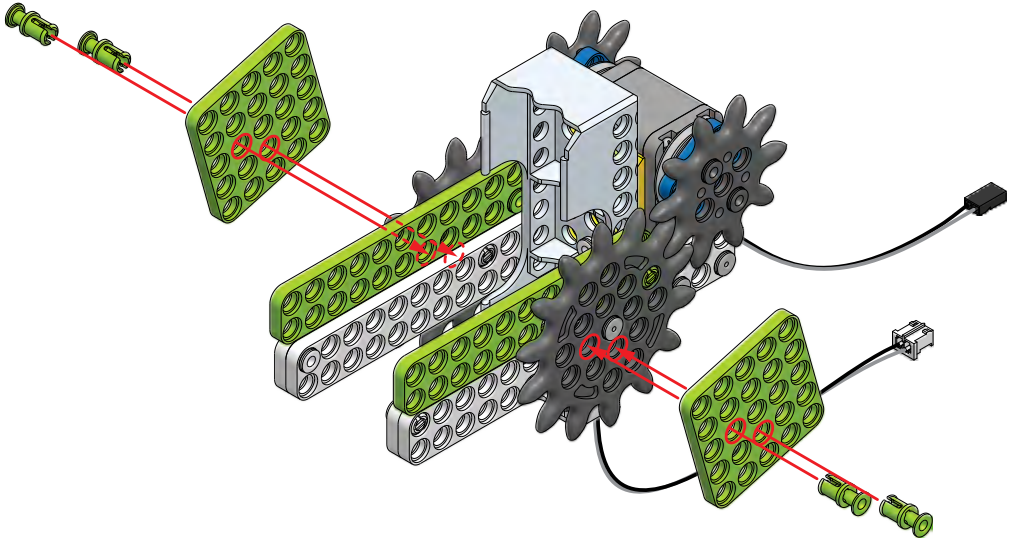


SPS-17⑩

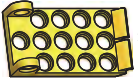




7



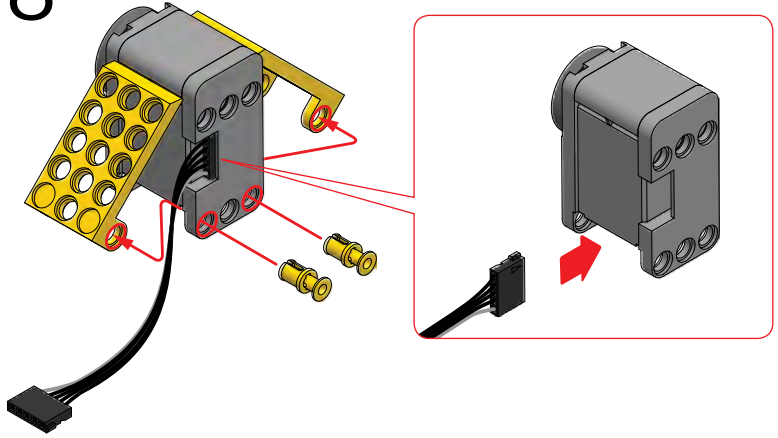
 ×2
 SRV-1H/1P (V)

 ×2
 SPY-3b4 (V)

 ×1
 SM

 ×1
 5P-CABLE 15

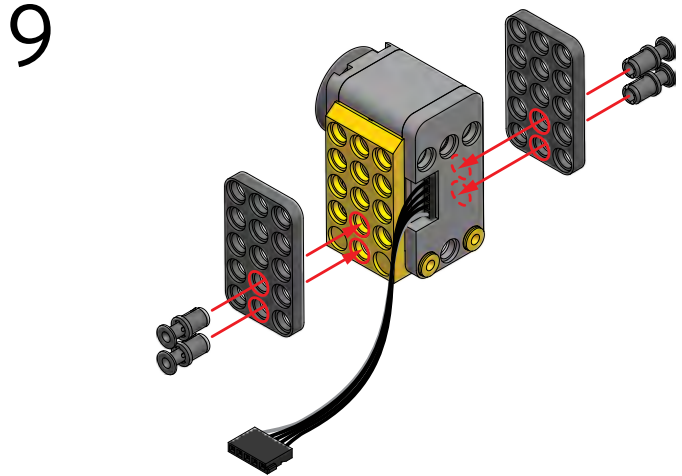
8





 ×4
 SRV-1H/1P (K)


 ×2
 SPD-3b5 (K)

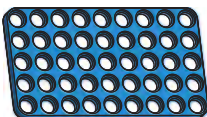
9



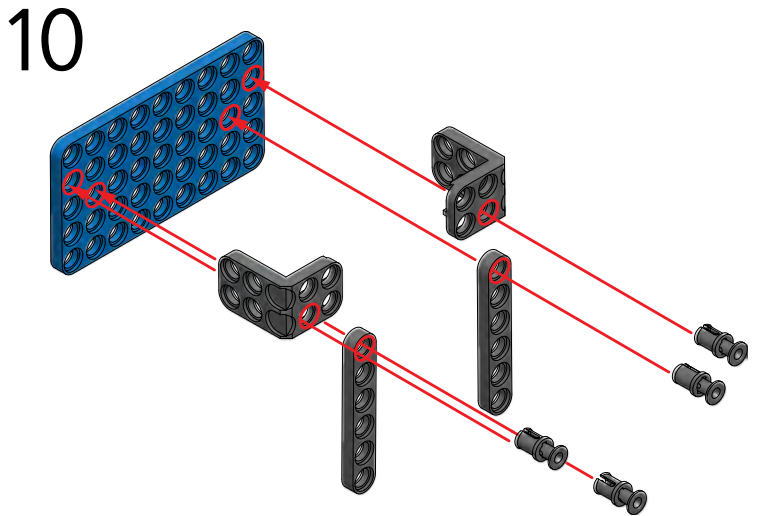
 ×4
 SRV-1H/1P (K)


 ×2
 SPI-1b6 (K)

 ×2
 SPL-2b2 (K)

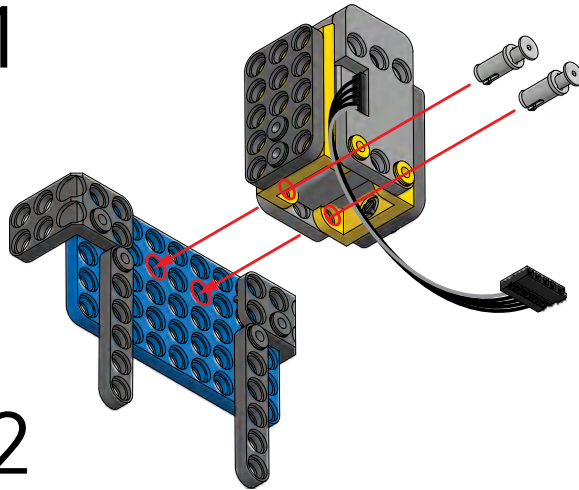
 ×1
 SPD-5b9 (K)



10





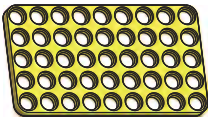
 ×2
 SRV-1LH/1LP

11

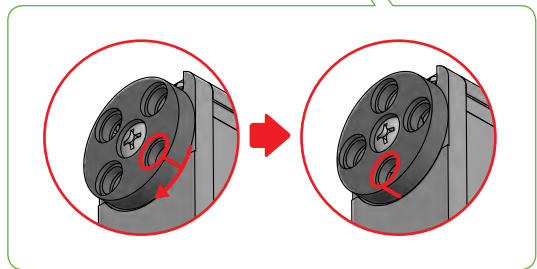
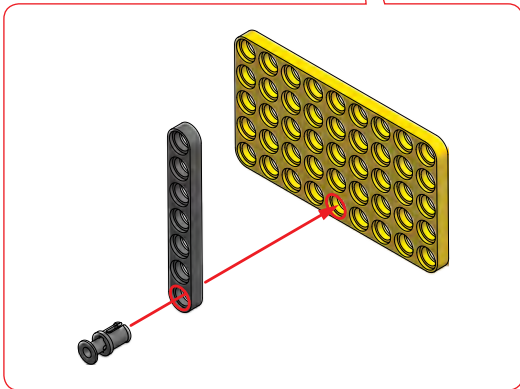
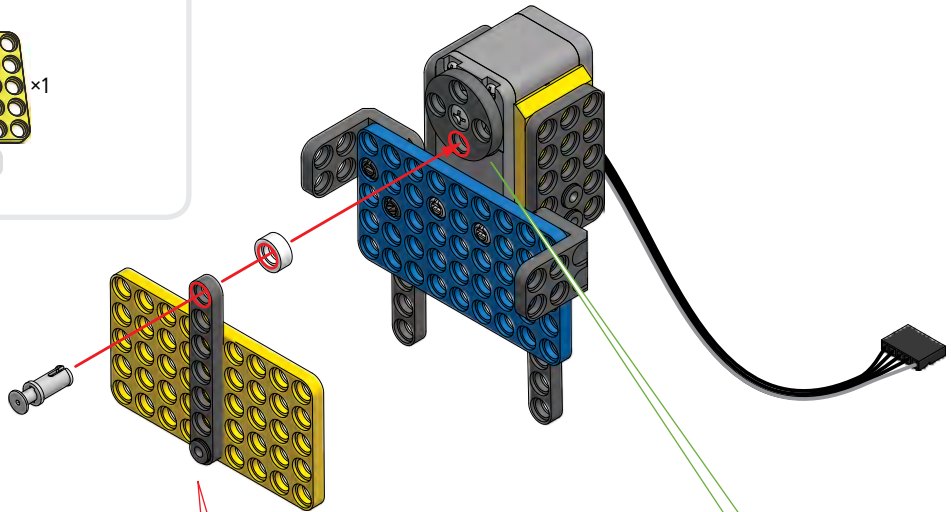


 ×1  ×1
 SRV-1LH/1LP SRV-1H/1P


 ×1  ×1
 SPO-1A SPI-1b7(k)


 ×1
 SPD-5b9(y)


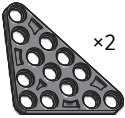
12

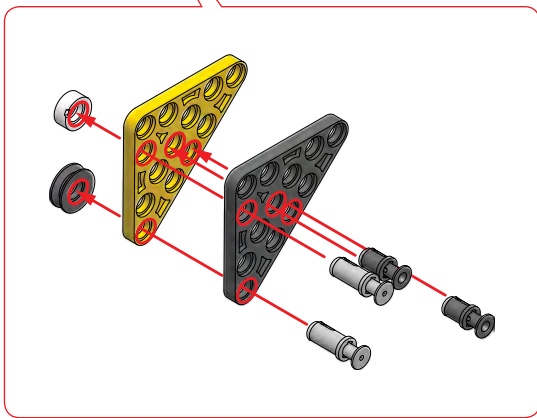
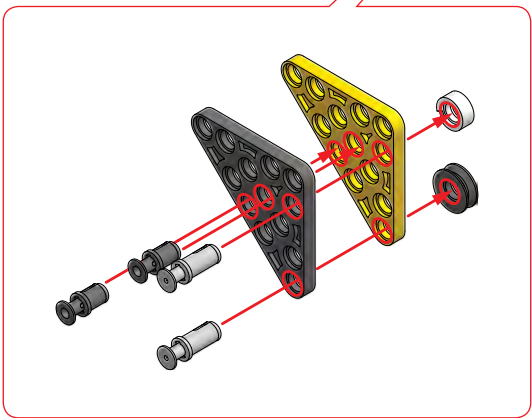
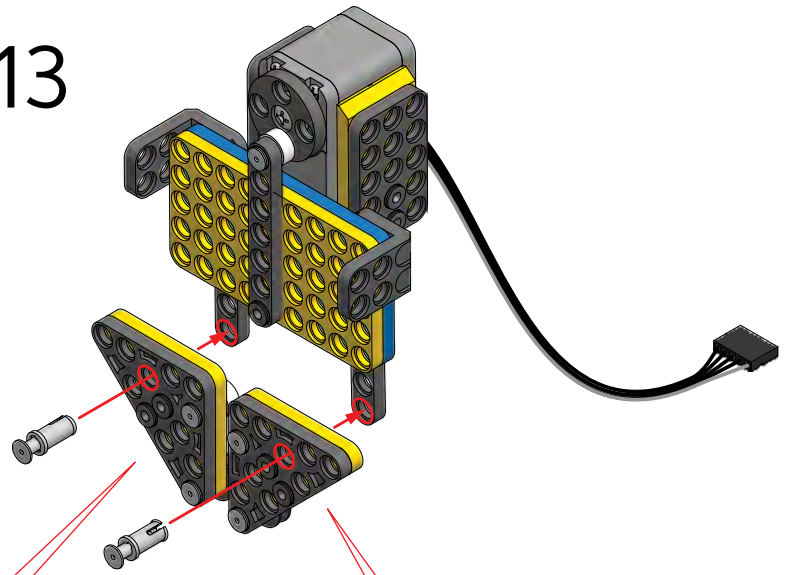


13

-  ×6
  ×4
 SRV-1LH/1LP SRV-1H/1P

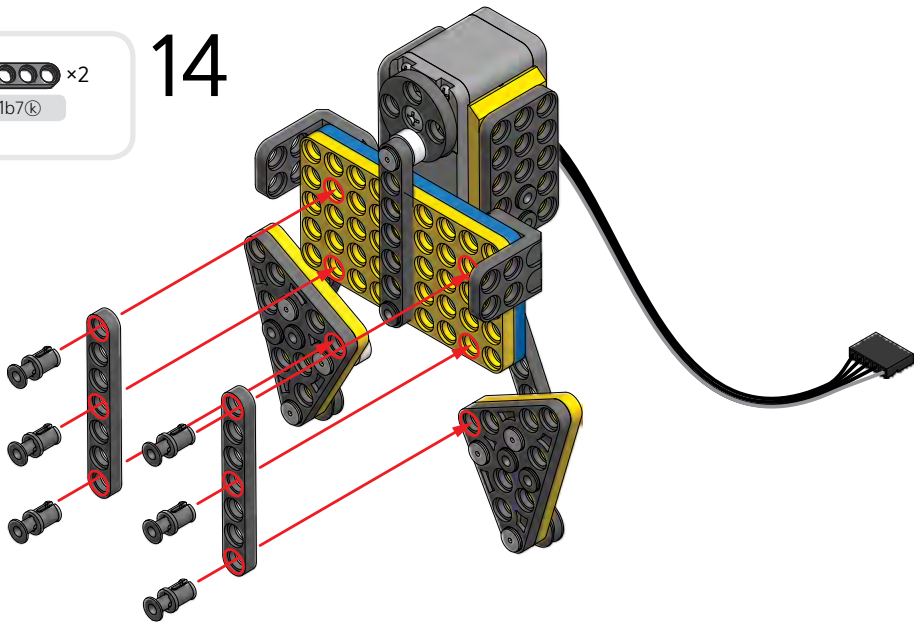
-  ×2
  ×2
 SPO-1A SPO-1PR

-  ×2
  ×2
 SPA-5b5 SPA-5b5



14

-  ×6
  ×2
 SRV-1H/1P SPI-1b7

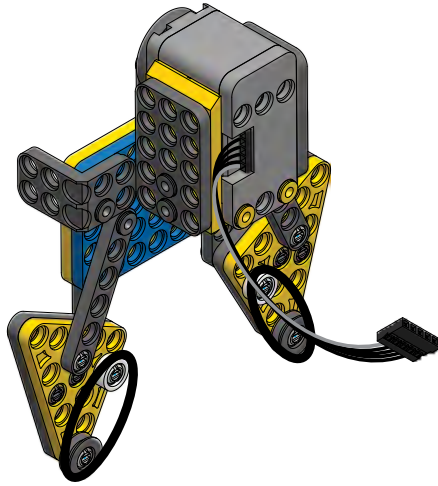




x2

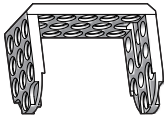
STR-20®

15



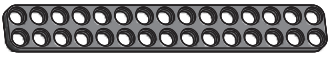
x4

SRV-1LH/1LP



x1

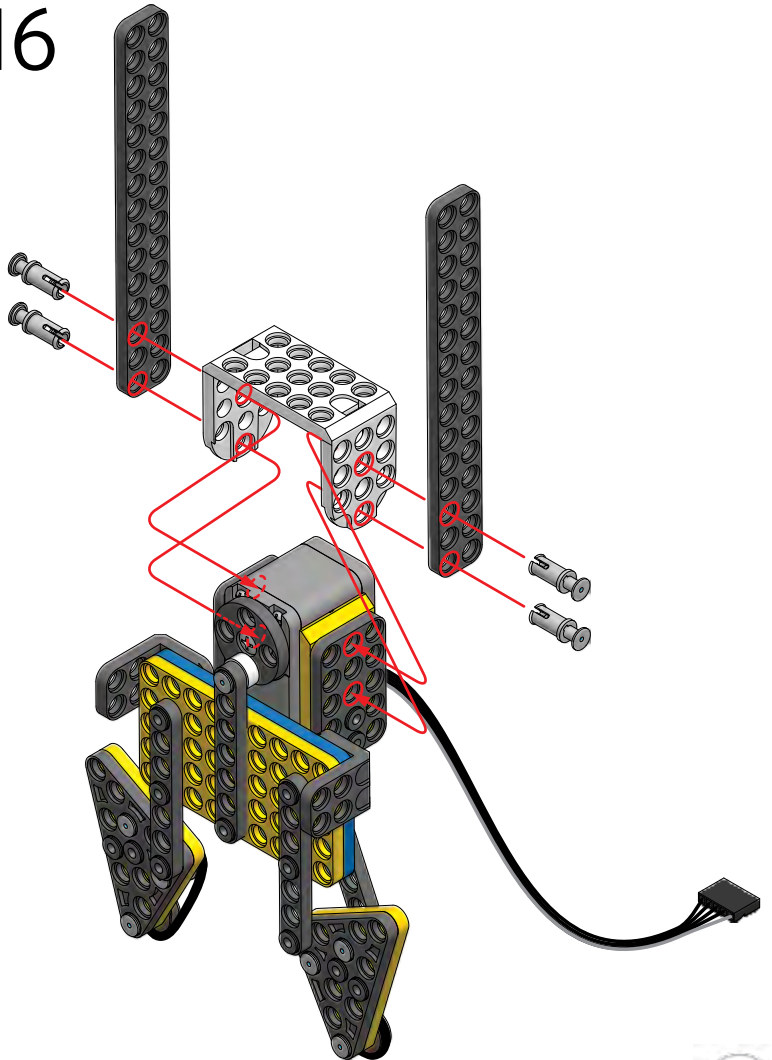
SPH®

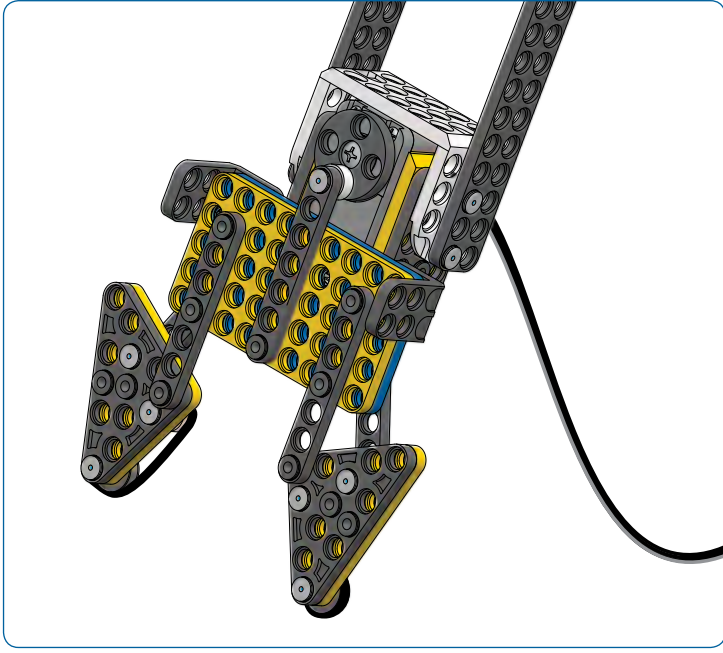



x2

SPD-2b15®

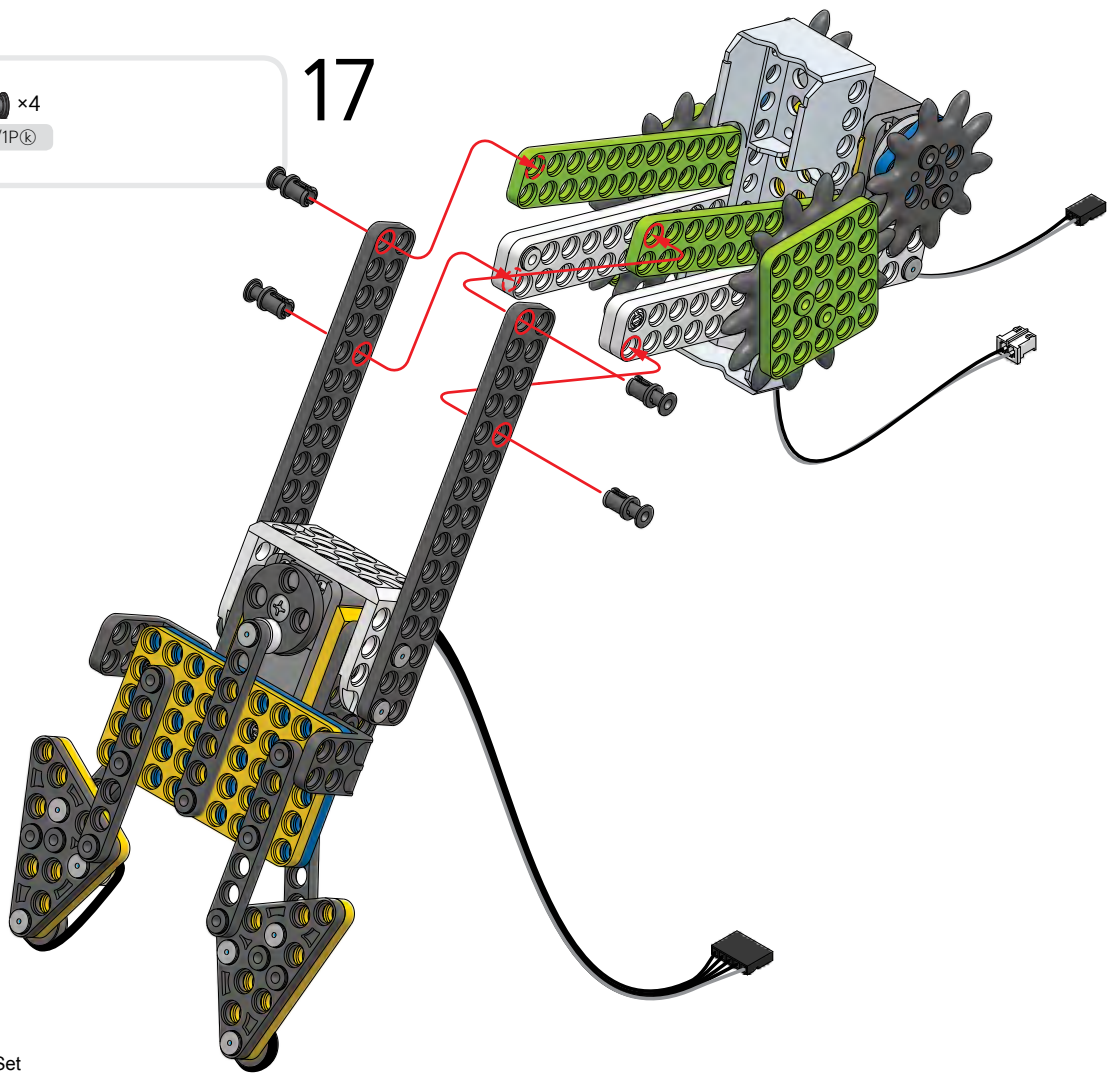
16

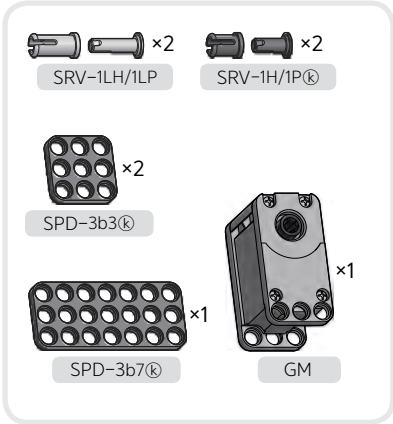




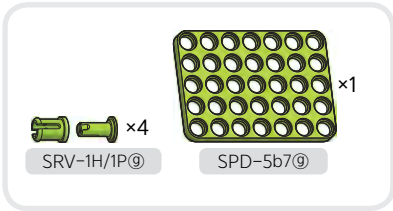
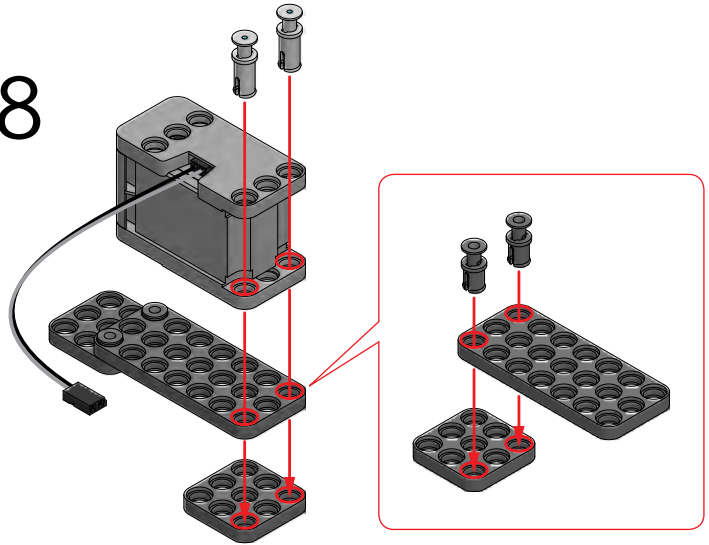
 x4
SRV-1H/1P

17

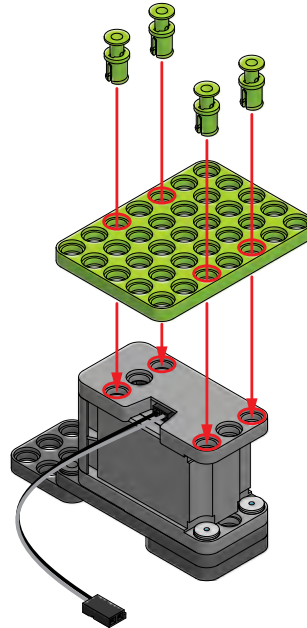




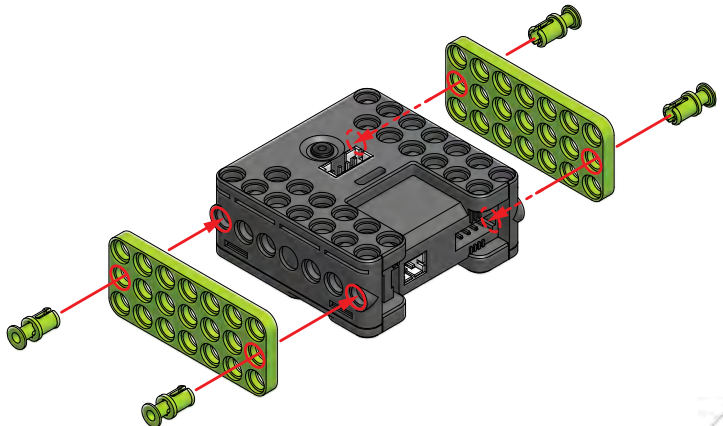
18




19

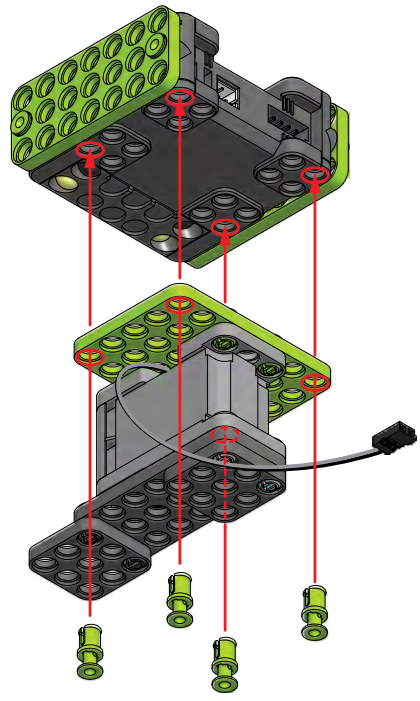



20




 x4
SRV-1H/1P

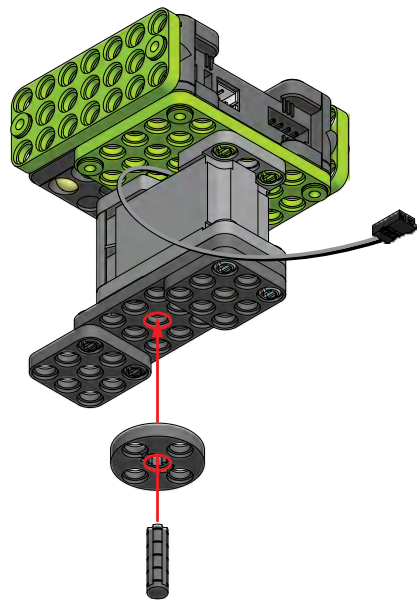
21

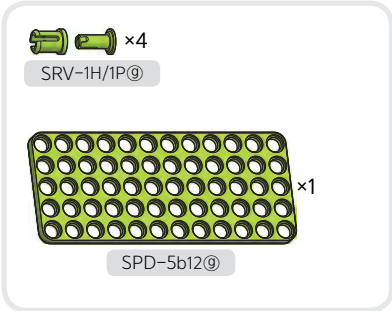


 x1
SPO-4HC

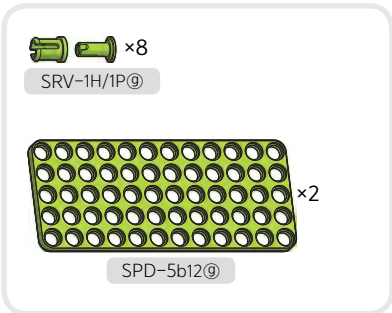
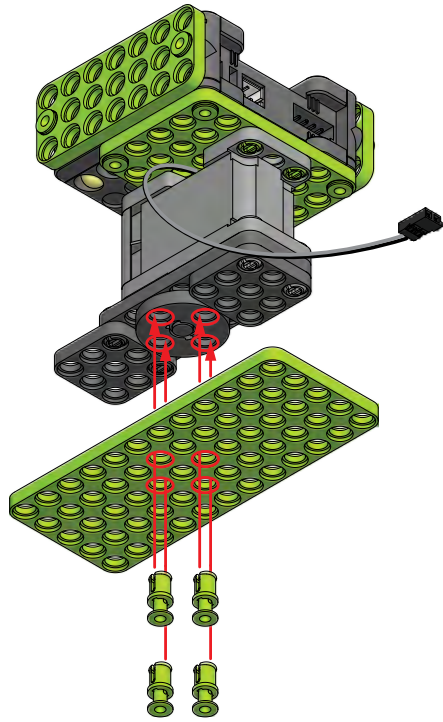
 x1
SI-15

22

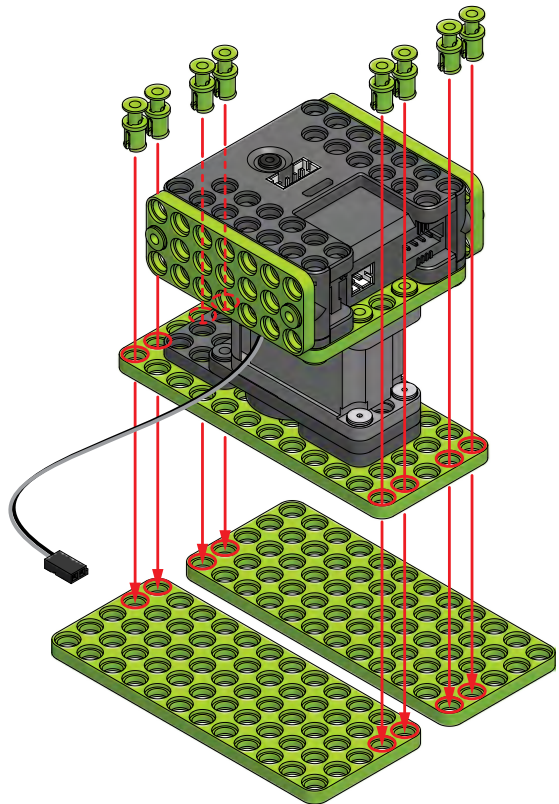




23



24



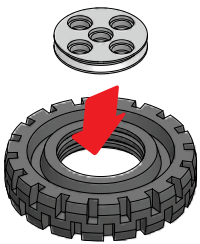
25

 ×4
 SRV-1LH/1LP

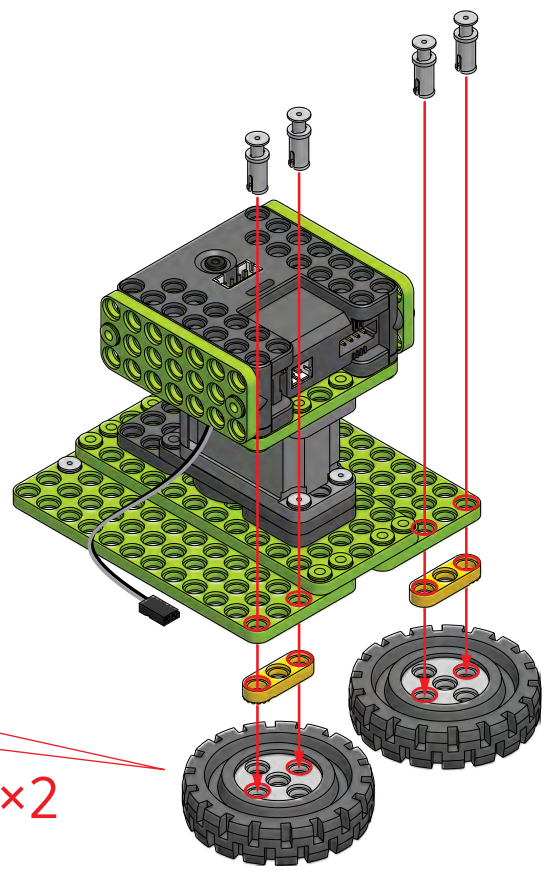
 ×2
 SPJ-1b2S(V)

 ×2
 STR-39(K)

 ×2
 SPO-4PR(Φ)



×2



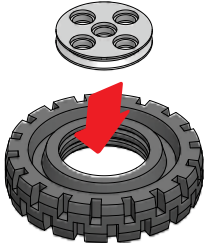
26

 ×4
 SRV-1LH/1LP

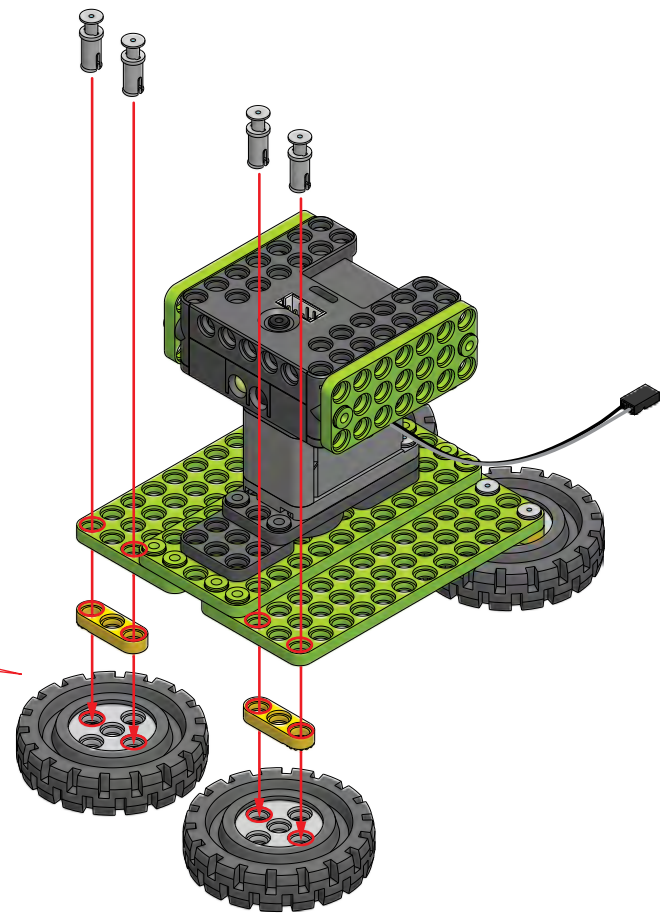
 ×2
 SPJ-1b2S(V)

 ×2
 STR-39(K)

 ×2
 SPO-4PR(Φ)



×2

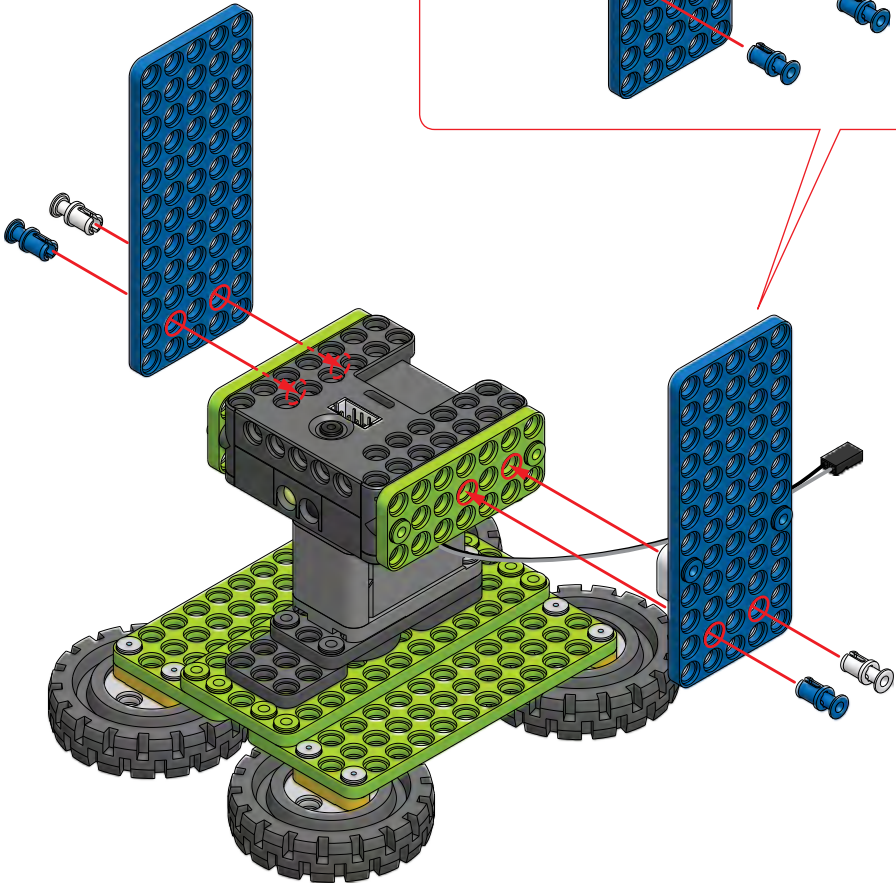
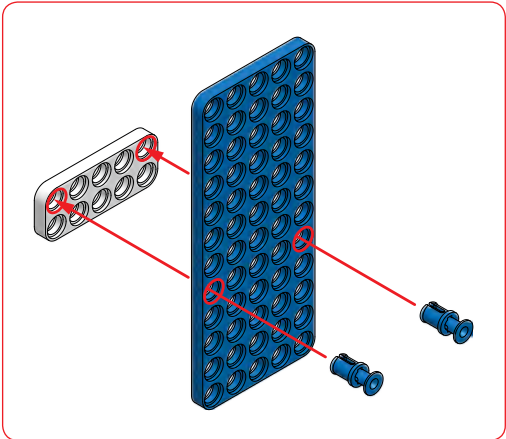


27

SRV-1H/1P Ⓟ x4 SRV-1H/1P Ⓟ x2

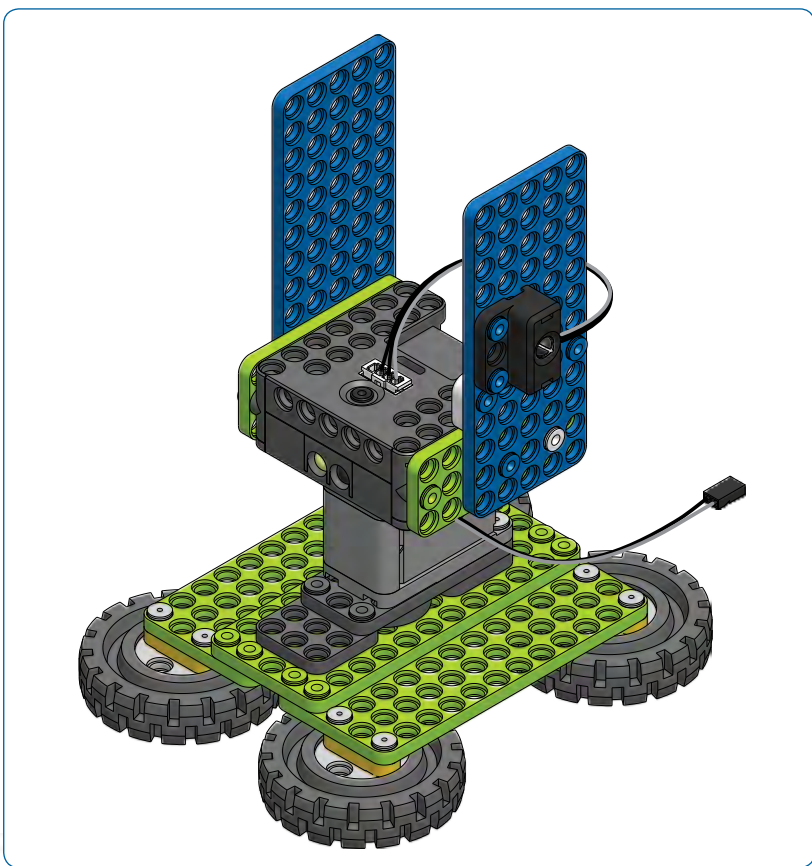
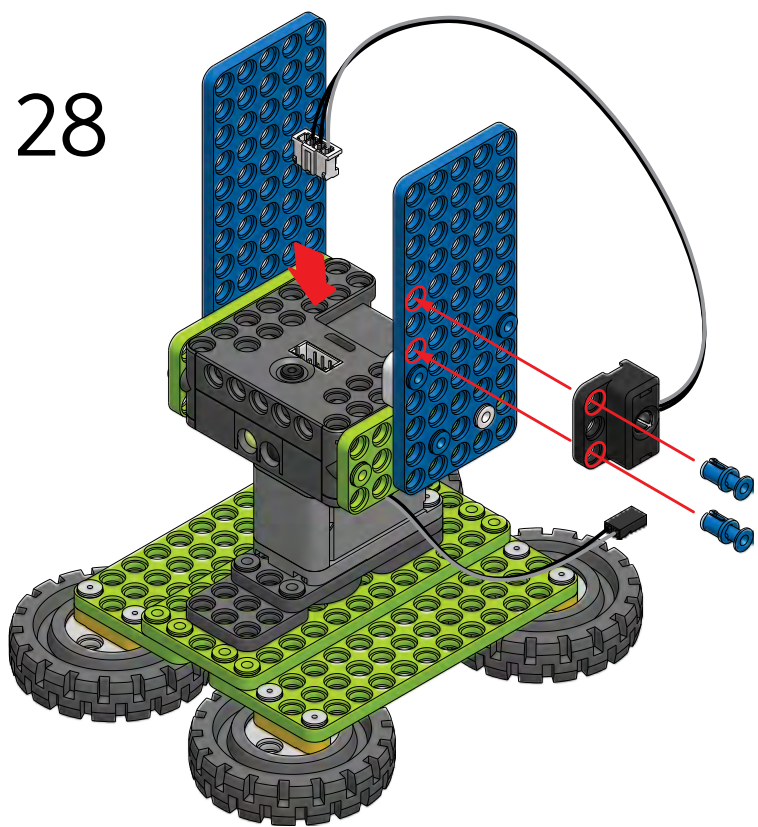
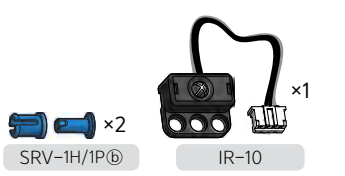
SPD-2b5 Ⓟ x1

SPD-5b12 Ⓟ x2




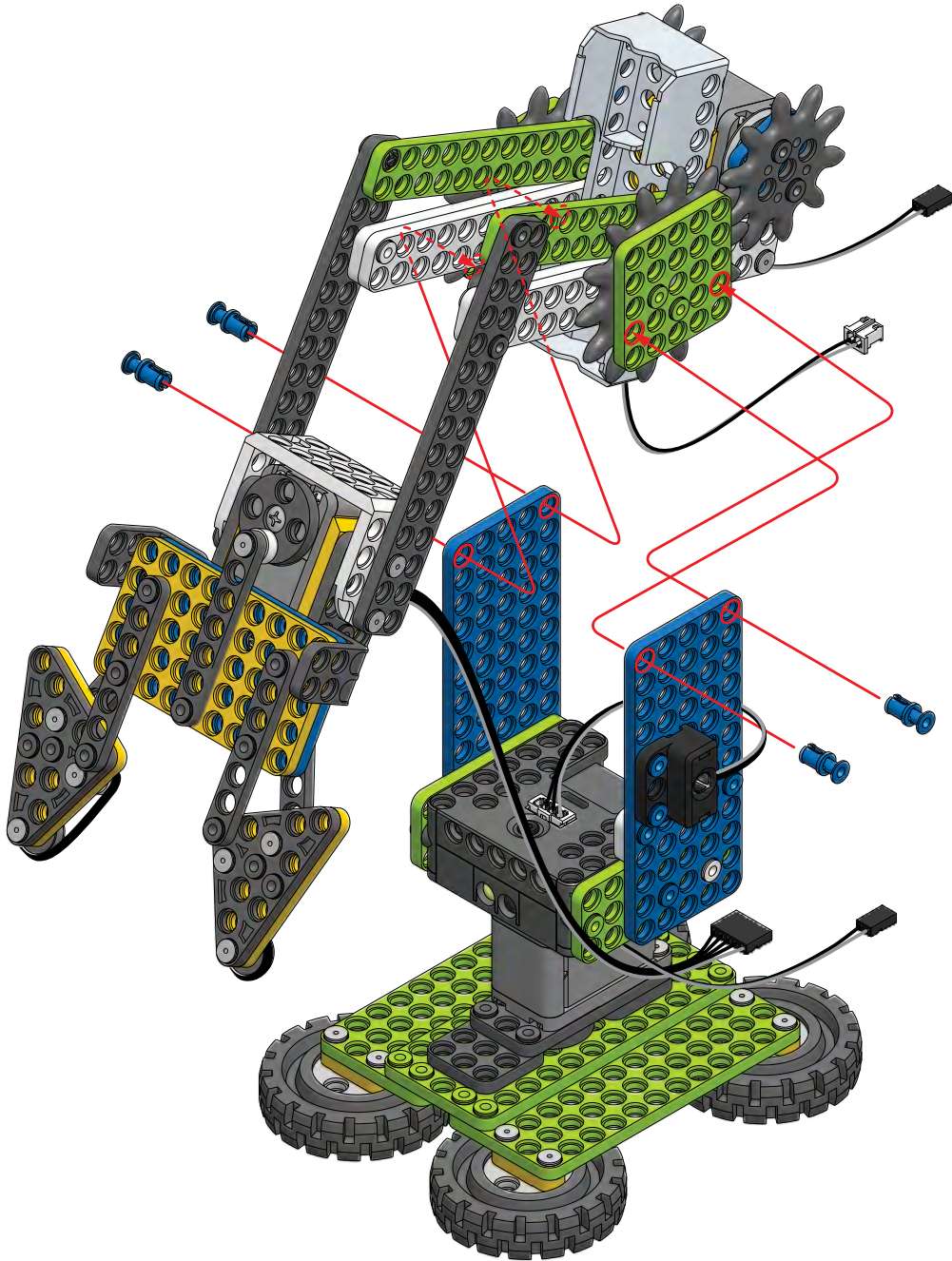
28

SRV-1H/1P ⊕ ×2
IR-10 ×1

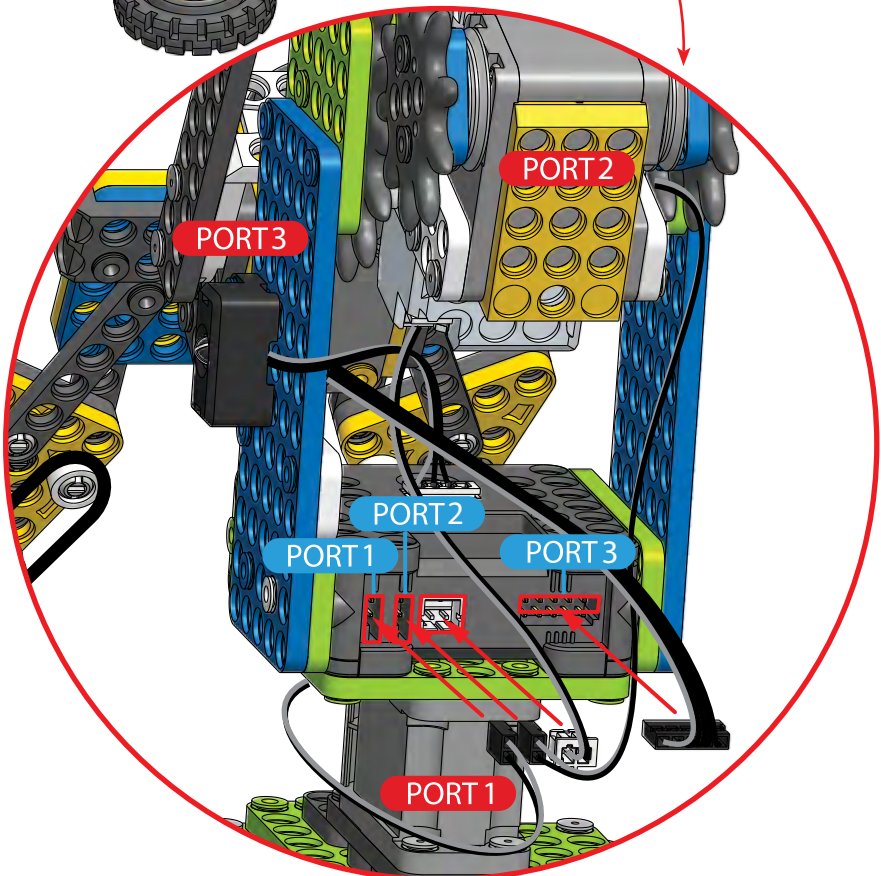
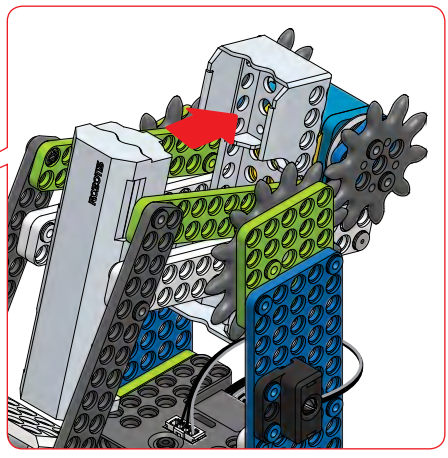
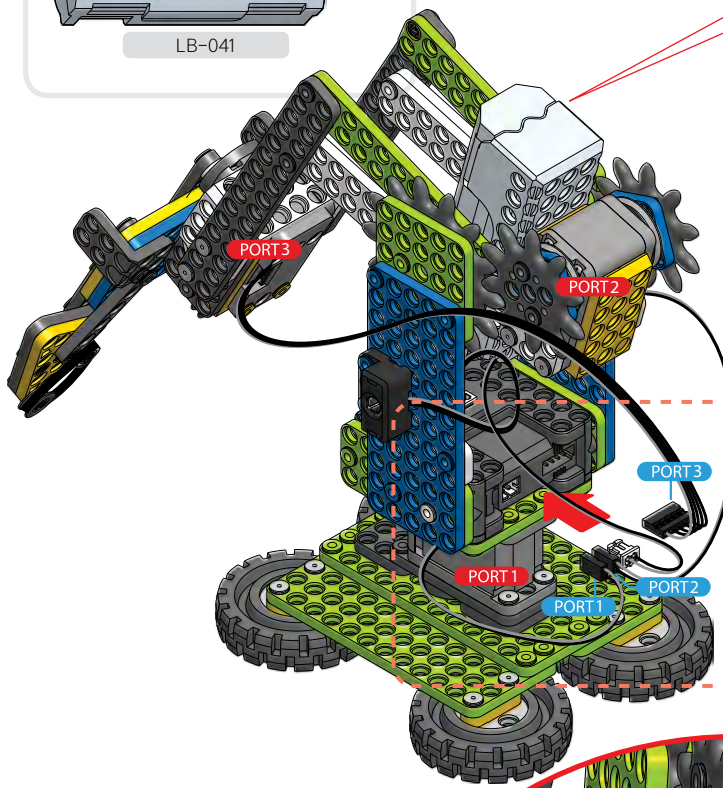
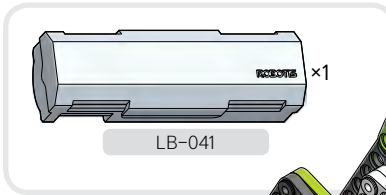


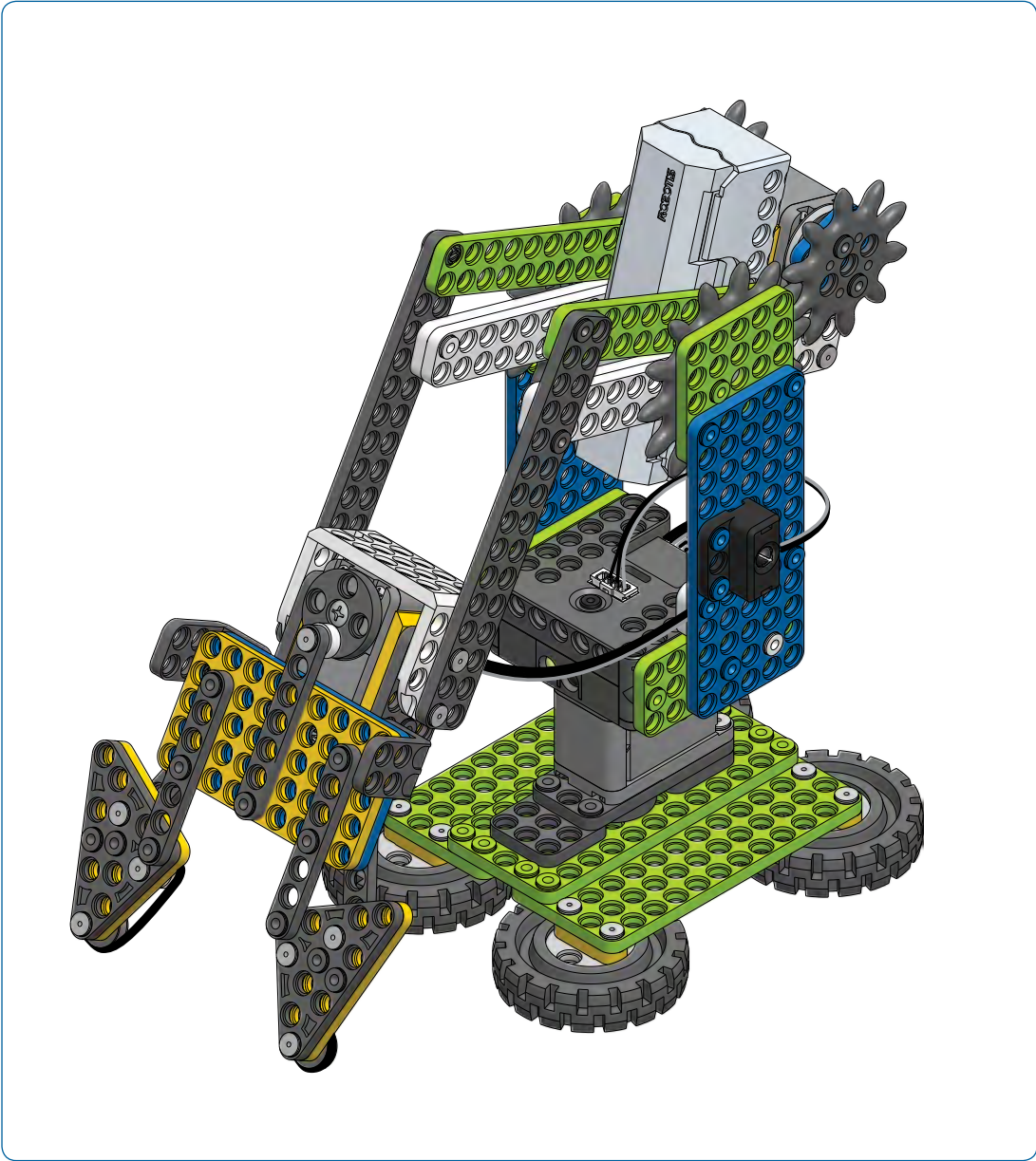
29

 ×4
SRV-1H/1P[®]



30





31

-  ×2
SRV-1H/1PⓂ
-  ×2
SRV-1H/1PⓀ
-  ×1
SPD-2b11Ⓚ
-  ×2
SPL-2b3Ⓜ

