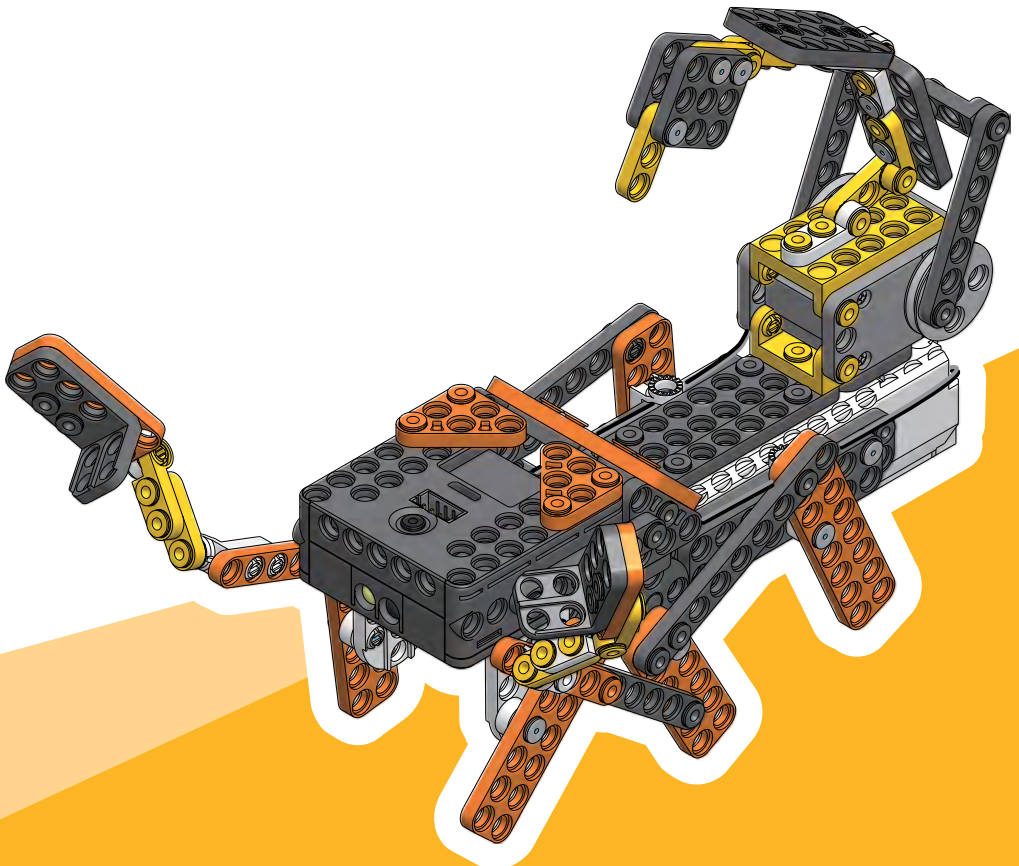
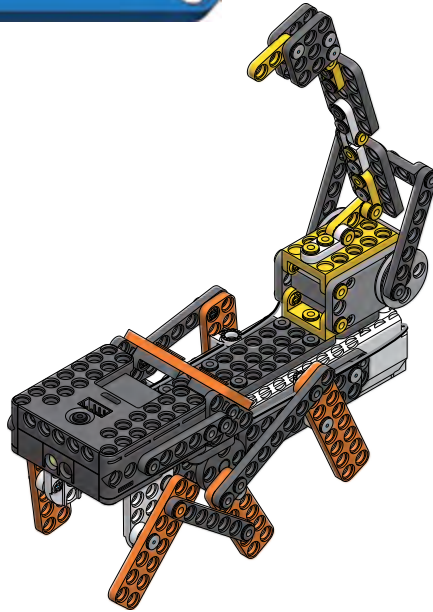


# Scorpion

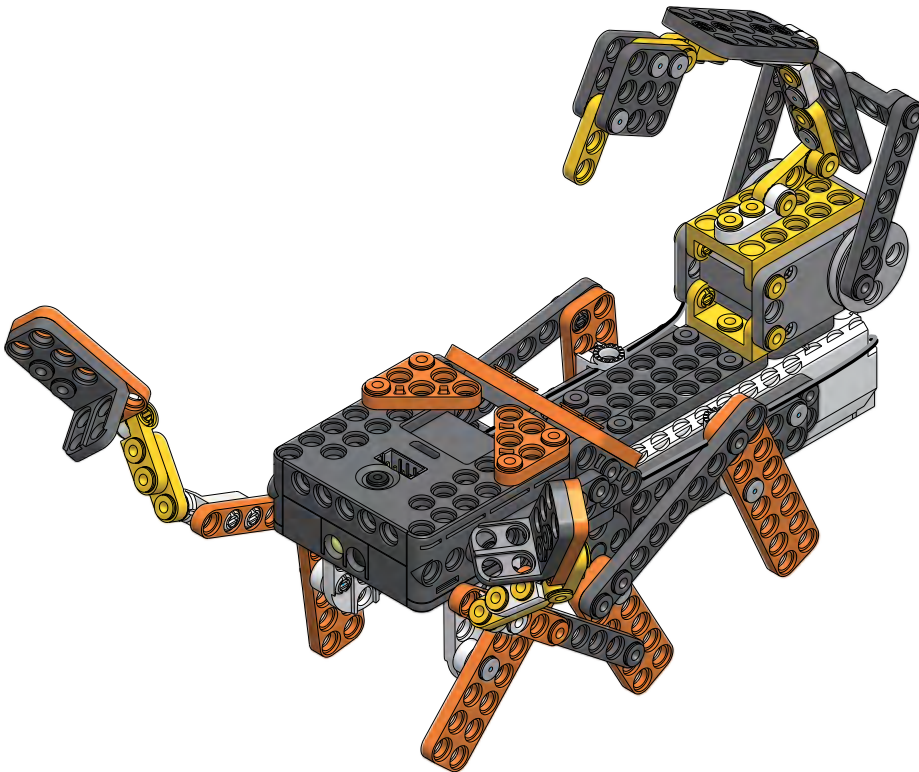


## Let's build!

Let's build a robot.



Below is the final image of the robot when you are done with assembling the "My Own Robot" step.



You will require the following parts.

Rivet

- ×6  
SRV-1H/1P(Ⓜ)
- ×27  
SRV-1H/1P(Ⓜ)
- ×12  
SRV-1H/1P(Ⓜ)
- ×45  
SRV-1H/1P(Ⓜ)
- ×19  
SRV-1LH/1LP

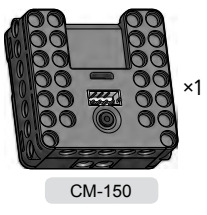
Plate

- ×2  
SPI-1b6(Ⓜ)
- ×2  
SPI-1b6(Ⓜ)
- ×4  
SPI-1b7(Ⓜ)
- ×2  
SPI-1b9(Ⓜ)
- ×1  
SPI-1b11(Ⓜ)
- ×2  
SPD-2b5(Ⓜ)
- ×2  
SPD-2b6(Ⓜ)
- ×2  
SPD-2b7(Ⓜ)
- ×2  
SPD-2b8(Ⓜ)
- ×2  
SPD-2b8(Ⓜ)
- ×1  
SPD-2b11(Ⓜ)
- ×2  
SPD-2b15(Ⓜ)
- ×3  
SPD-3b3(Ⓜ)
- ×2  
SPD-3b5(Ⓜ)
- ×1  
SPD-3b7(Ⓜ)
- ×1  
SPD-3b7(Ⓜ)
- ×2  
SPA-3b3(Ⓜ)
- ×2  
SPA-3b3(Ⓜ)
- ×1  
SPX-2b2(Ⓜ)

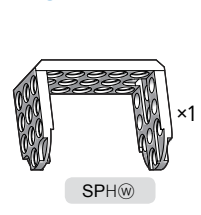
Geared motor



Controller



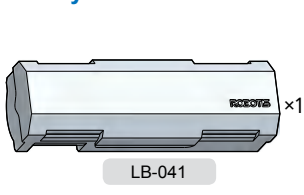
Hinge



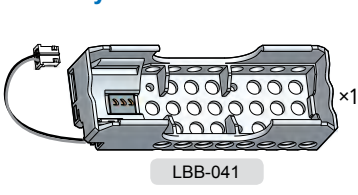
Adaptor



Battery



Battery box



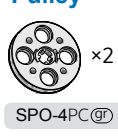
Joint

- ×5  
SPJ-1b2S(Ⓜ)
- ×4  
SPJ-1b2P(Ⓜ)
- ×4  
SPJ-1b2R(Ⓜ)
- ×5  
SPJ-1b2L(Ⓜ)

Cross horn



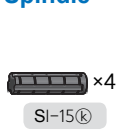
Pulley



Spacer



Spindle

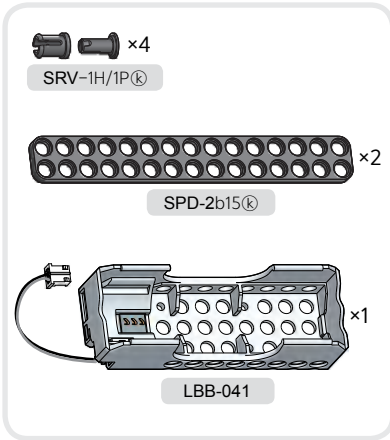


Bracket

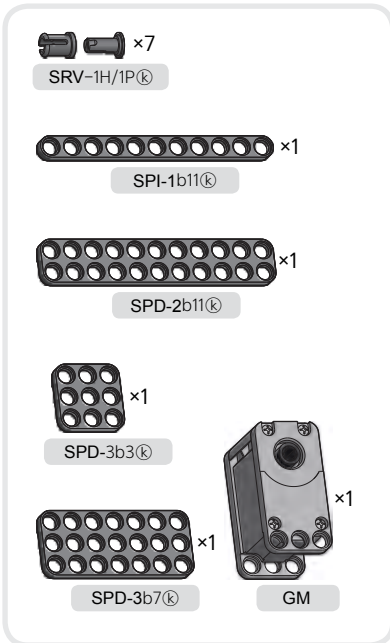
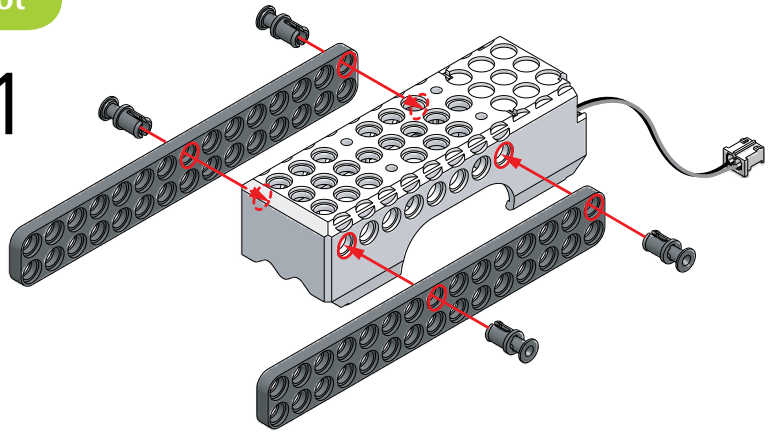


• Parts and color of the products might be different from the images of the assembly manual.

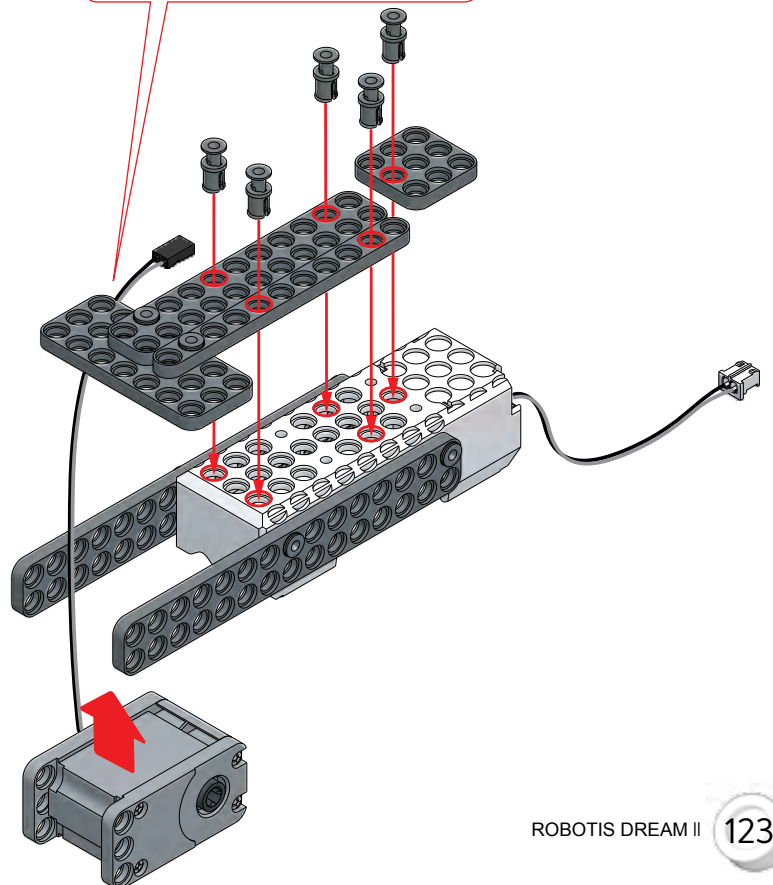
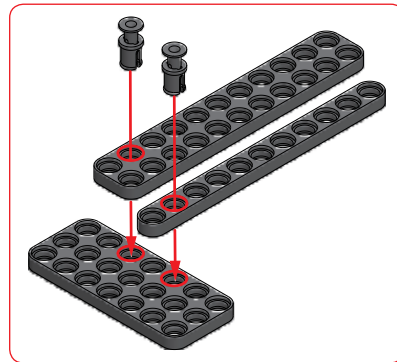
## Building a Scorpion Robot



1

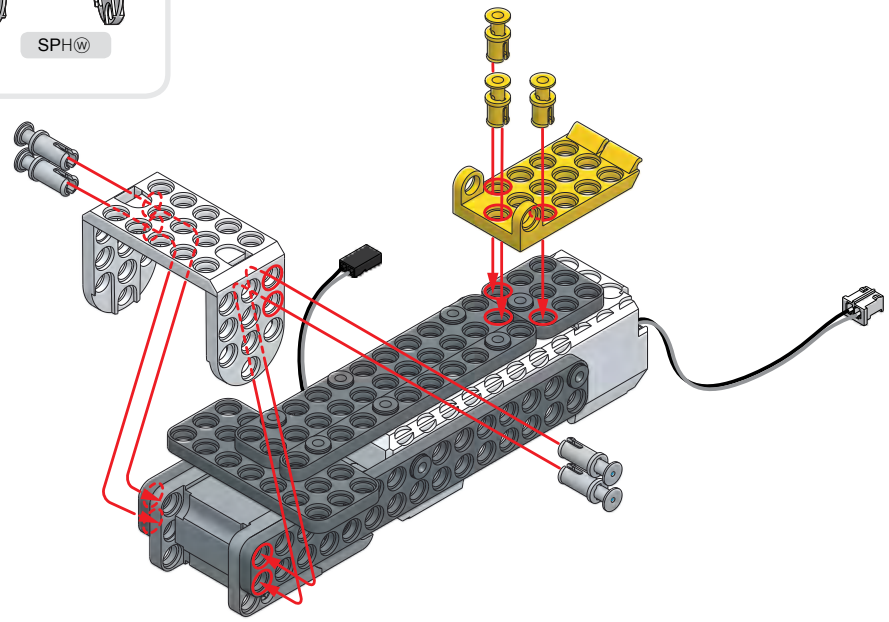


2



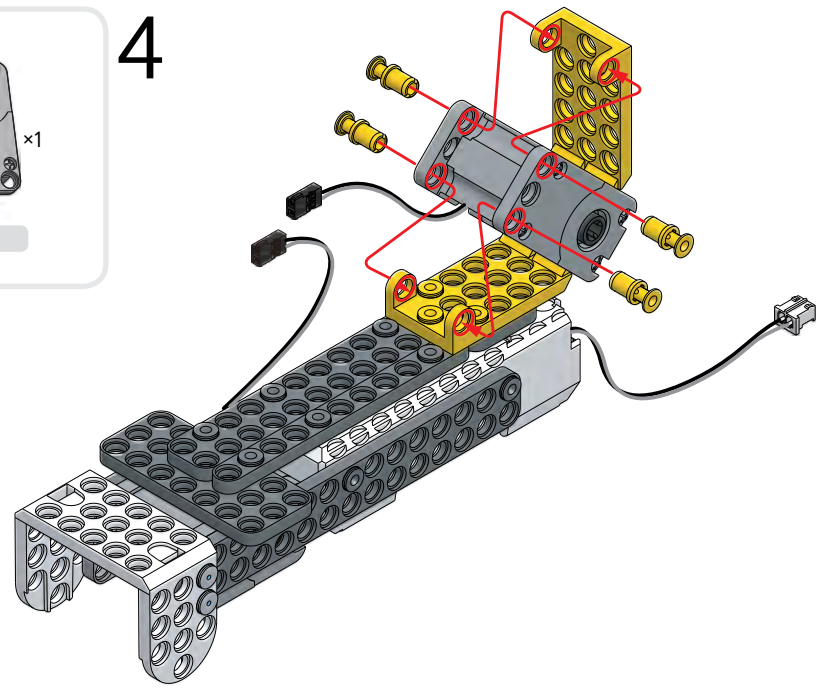
- SRV-1H/1P (yellow) x3
- SRV-1LH/1LP (grey) x4
- SPY-3b4 (yellow) x1
- SPH (grey) x1

# 3



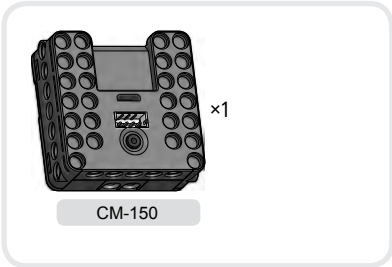
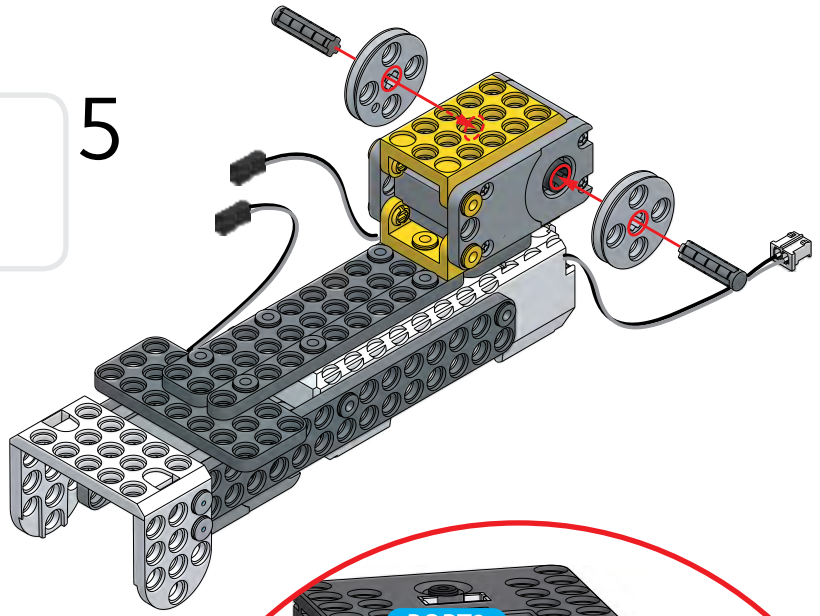
- SRV-1H/1P (yellow) x4
- SPY-3b4 (yellow) x1
- GM (grey) x1

# 4

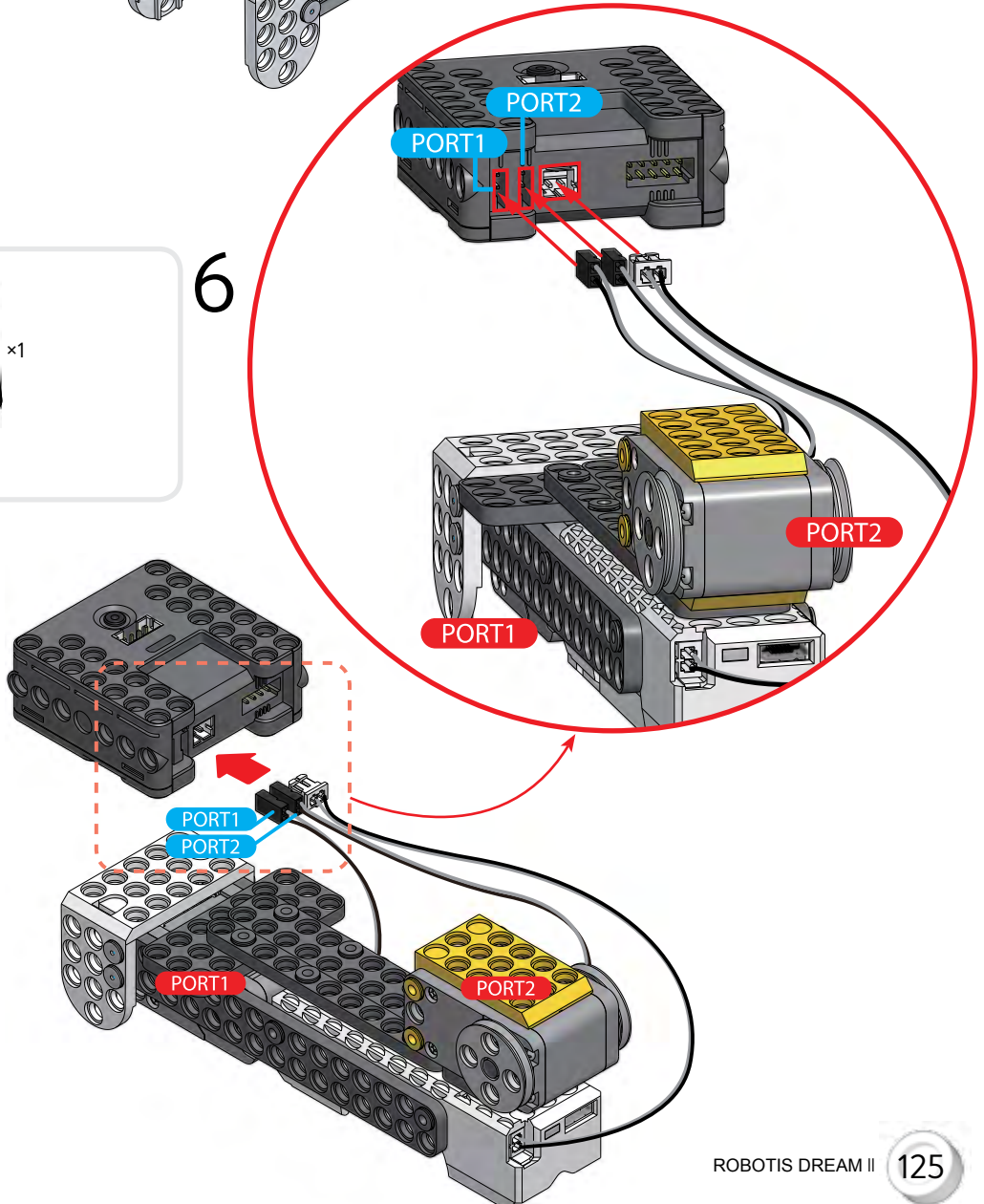




5

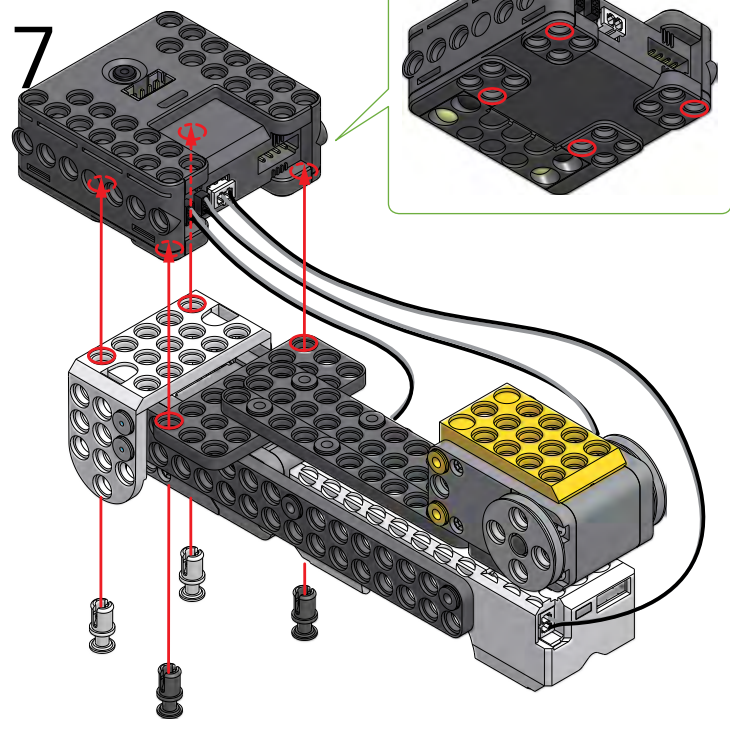


6



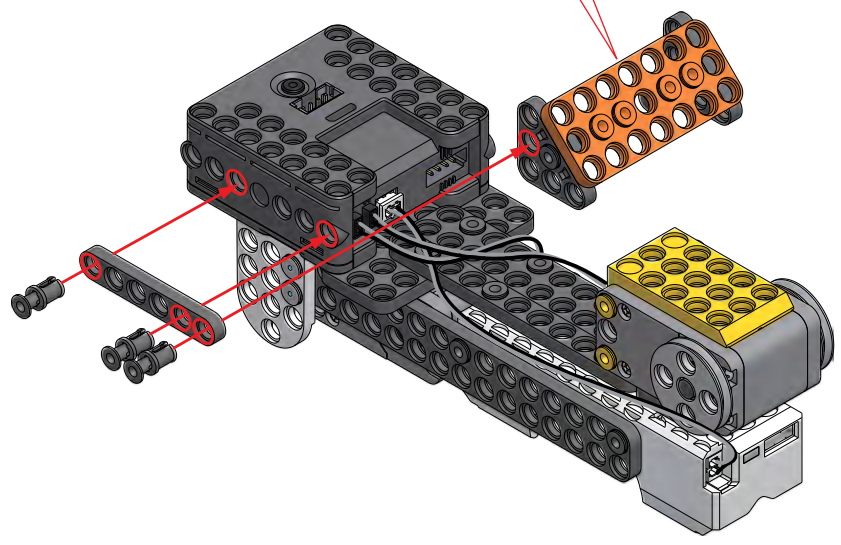
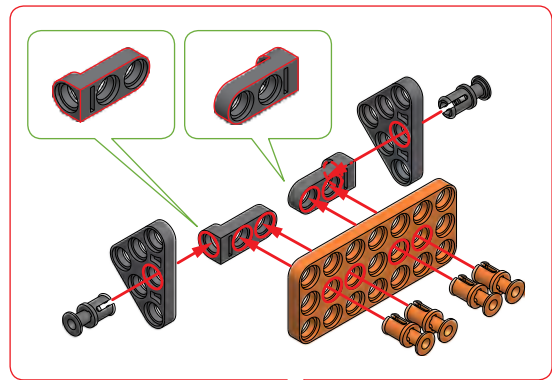
- SRV-1H/1PⓈ ×2
- SRV-1H/1PⓈ ×2

7



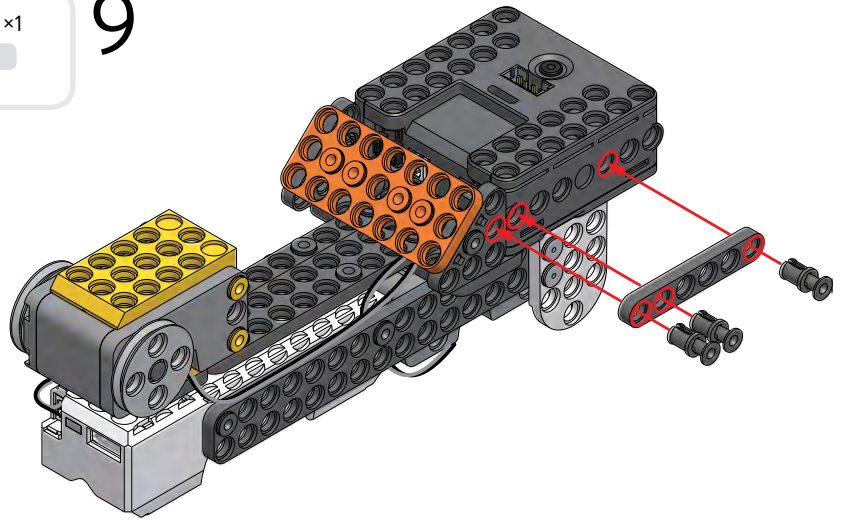
- SRV-1H/1PⓈ ×4
- SRV-1H/1PⓈ ×5
- SPL-1b6Ⓢ ×1
- SPL-1b2Ⓢ ×2
- SPD-3b7Ⓢ ×1
- SPA-3b3Ⓢ ×2

8



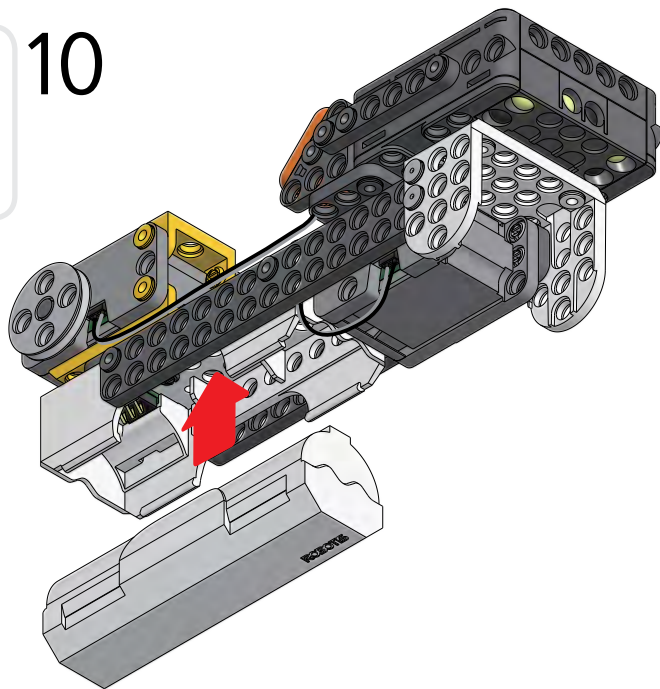
SRV-1H/1P  $\times 3$  SPI-1b6  $\times 1$

9



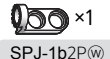





LB-041  $\times 1$

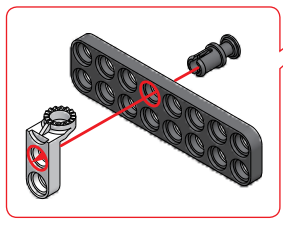
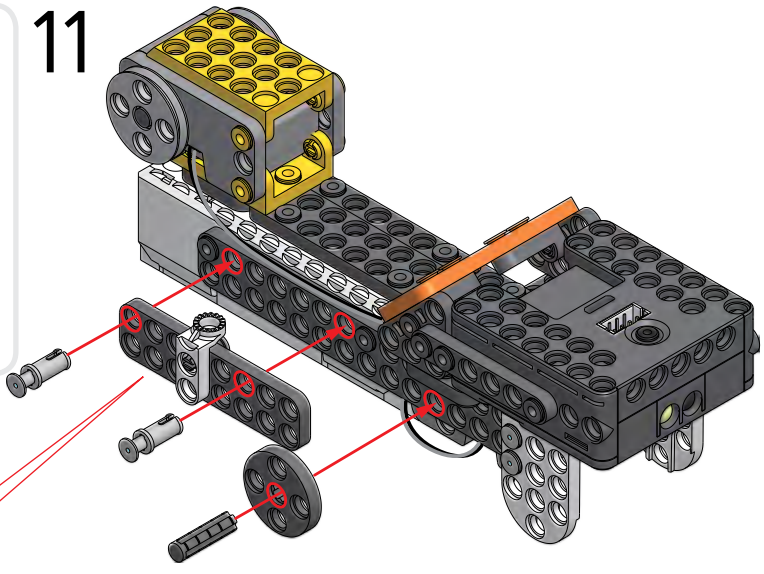
10




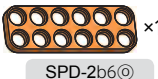






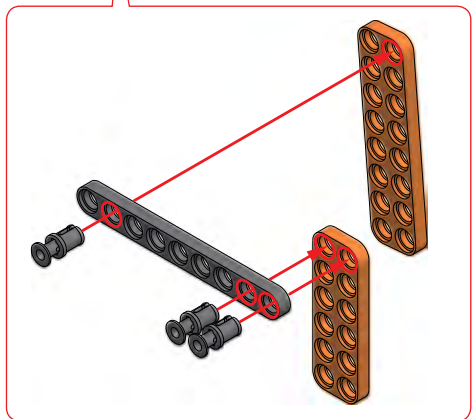
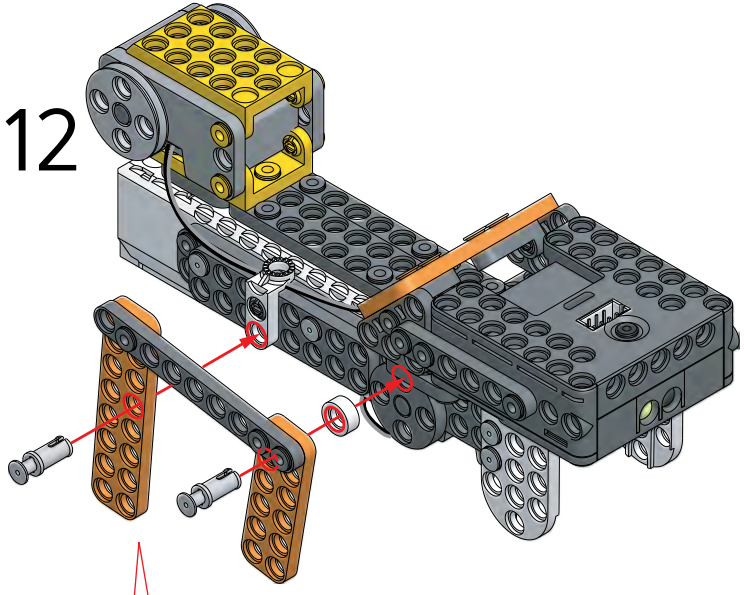
-  x1
  x2
-  x1
  x1
-  x1
  x1

# 11







-  x3
  x2
-  x1
-  x1
-  x1
  x1

# 12

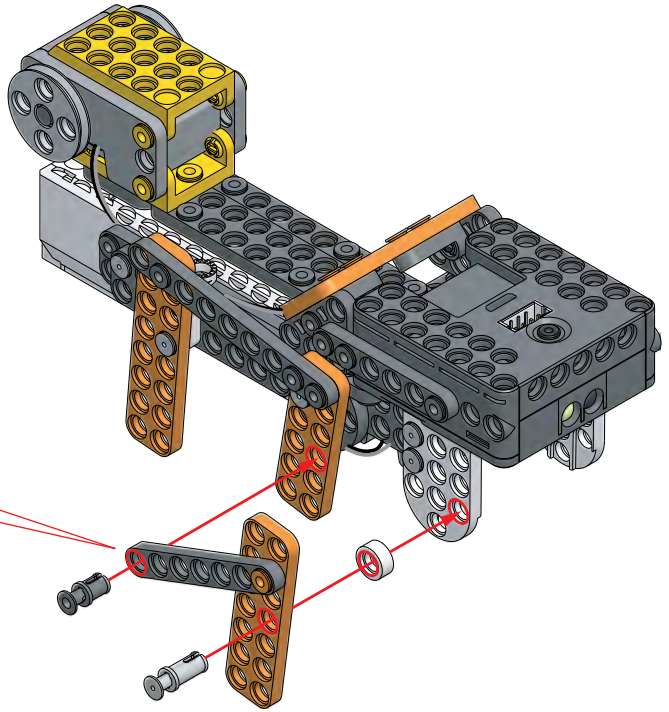




 x1     x1  
 SRV-1H/1PⓄ    SRV-1H/1PⓄ

 x1     x1  
 SRV-1LH/1LP    SPI-1b7Ⓞ

 x1     x1  
 SPD-2b7Ⓞ    SPO-1AⓄ

13

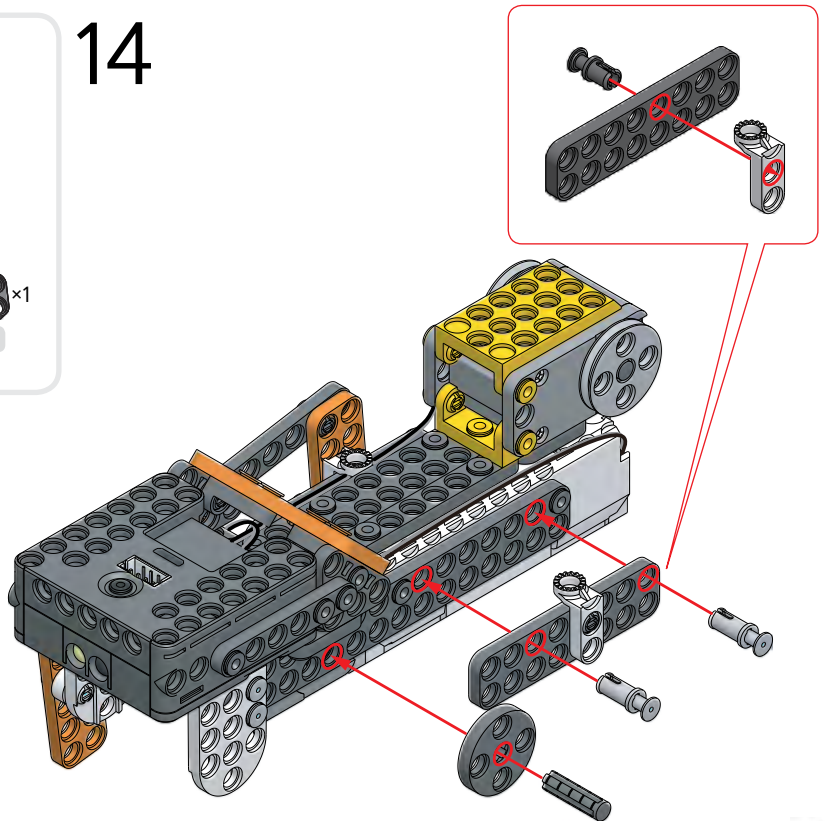


 x1     x2  
 SRV-1H/1PⓄ    SRV-1LH/1LP







 x1     x1  
 SPJ-1b2PⓄ    SI-15Ⓞ

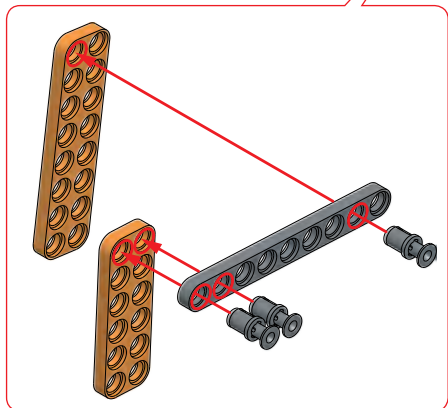
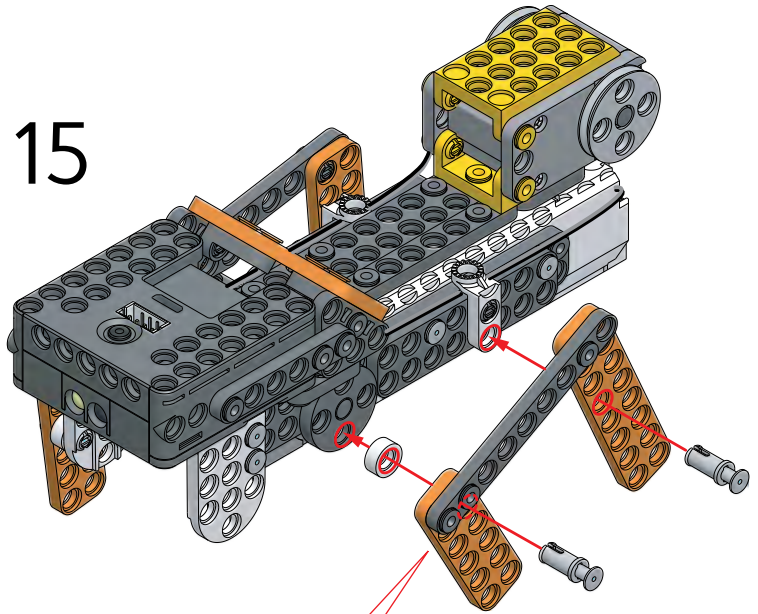
 x1     x1  
 SPO-4HCⓄ    SPD-2b8Ⓞ

14









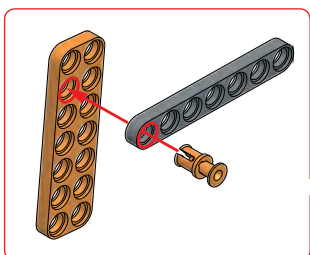
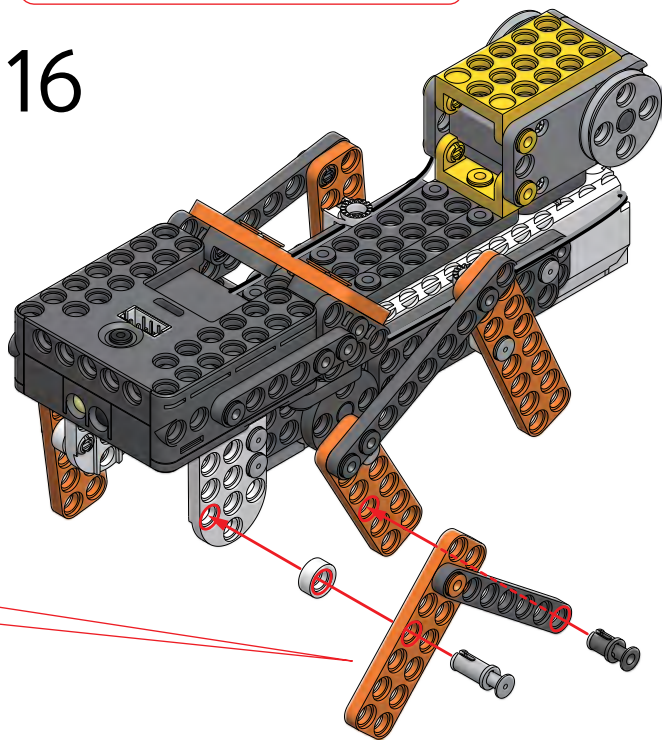
# 15

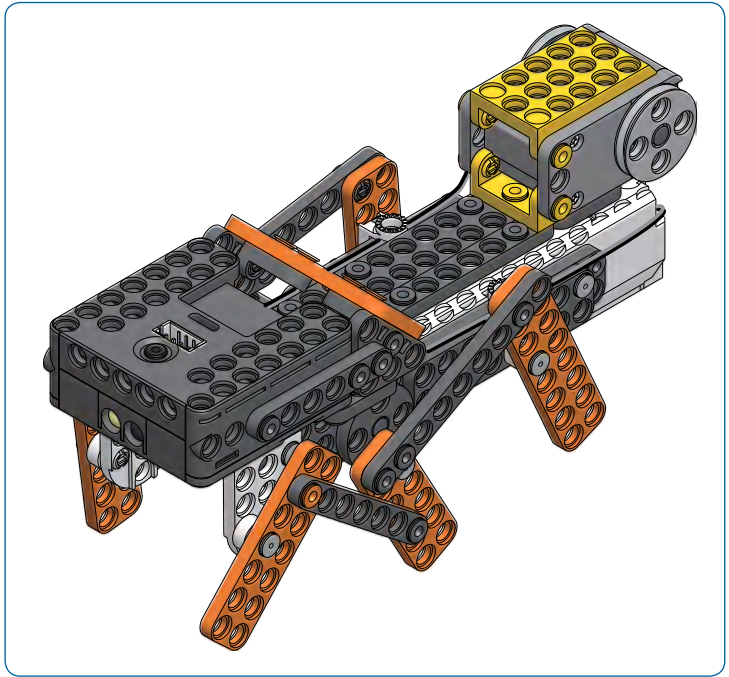
-  x3
-  x2
-  x1
-  x1
-  x1
-  x1



# 16

-  x1
-  x1
-  x1
-  x1
-  x1
-  x1









17

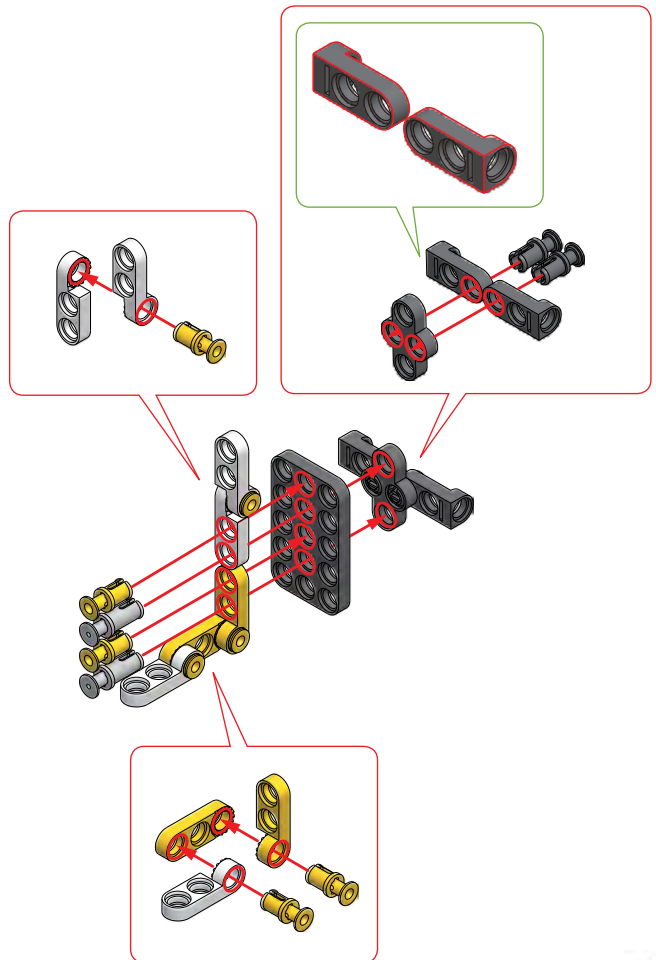
 x5   
  x2  
 SRV-1H/1P(γ)    SRV-1H/1P(k)

 x2   
 x1  
 SRV-1LH/1LP    SPJ-1b2S(γ)





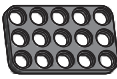
 x1   
 x3  
 SPJ-1b2R(γ)    SPJ-1b2L(ω)

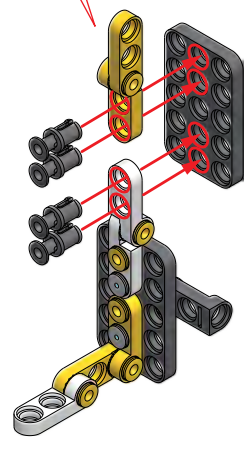
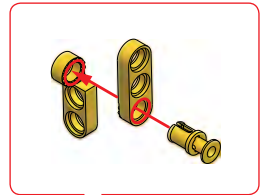
 x1   
 x1  
 SPD-3b5(k)    SPX-2b2(k)

 x2  
 SPL-1b2(⊗)



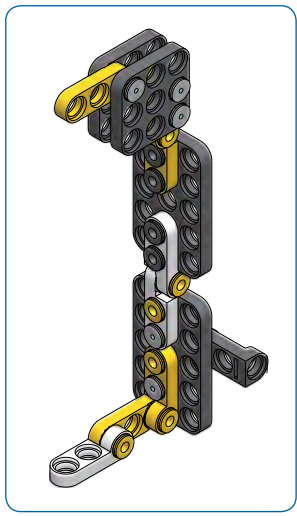
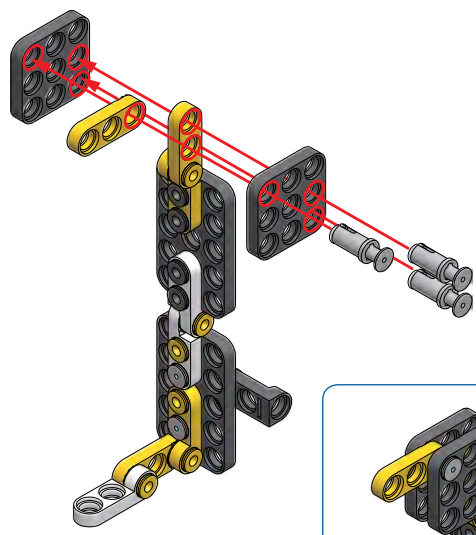
18

-  ×1
-  ×4
-  ×1
-  ×1
-  ×1

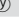


19

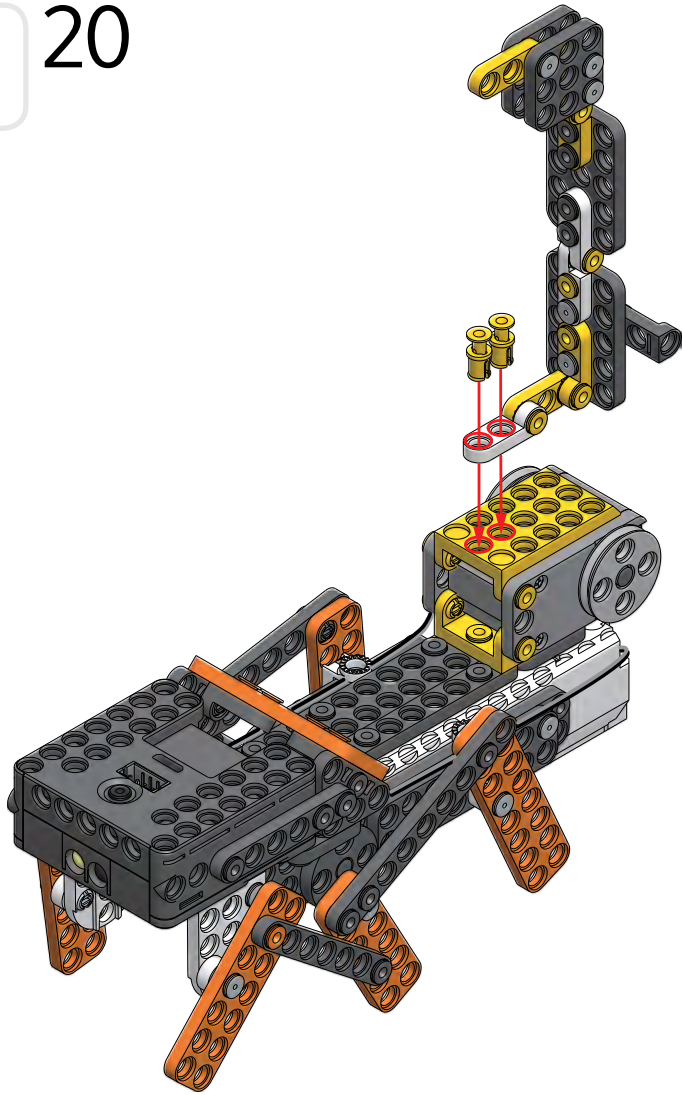
-  ×3
-  ×1
-  ×2



 ×2

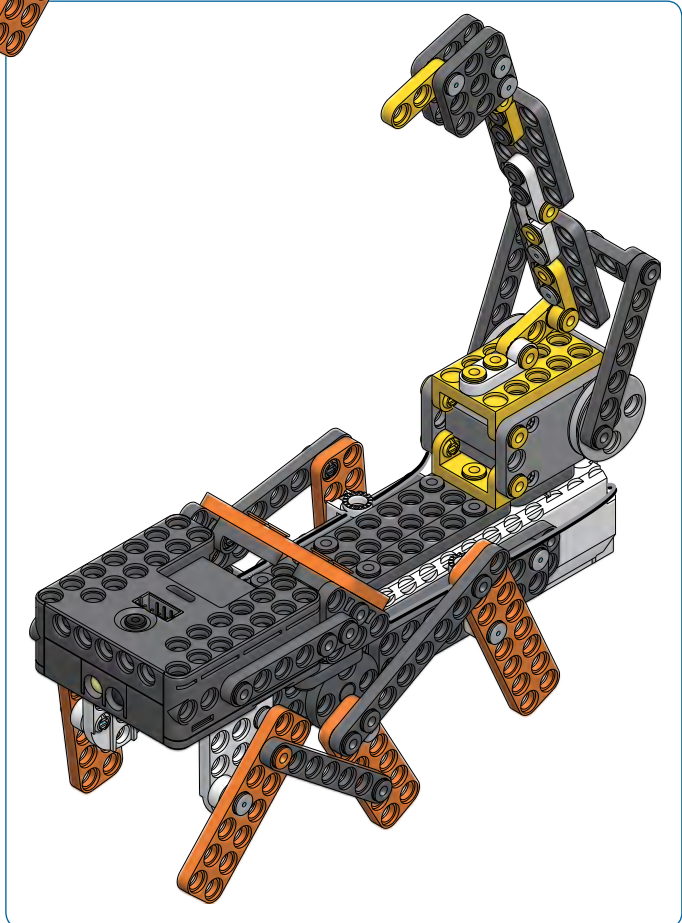
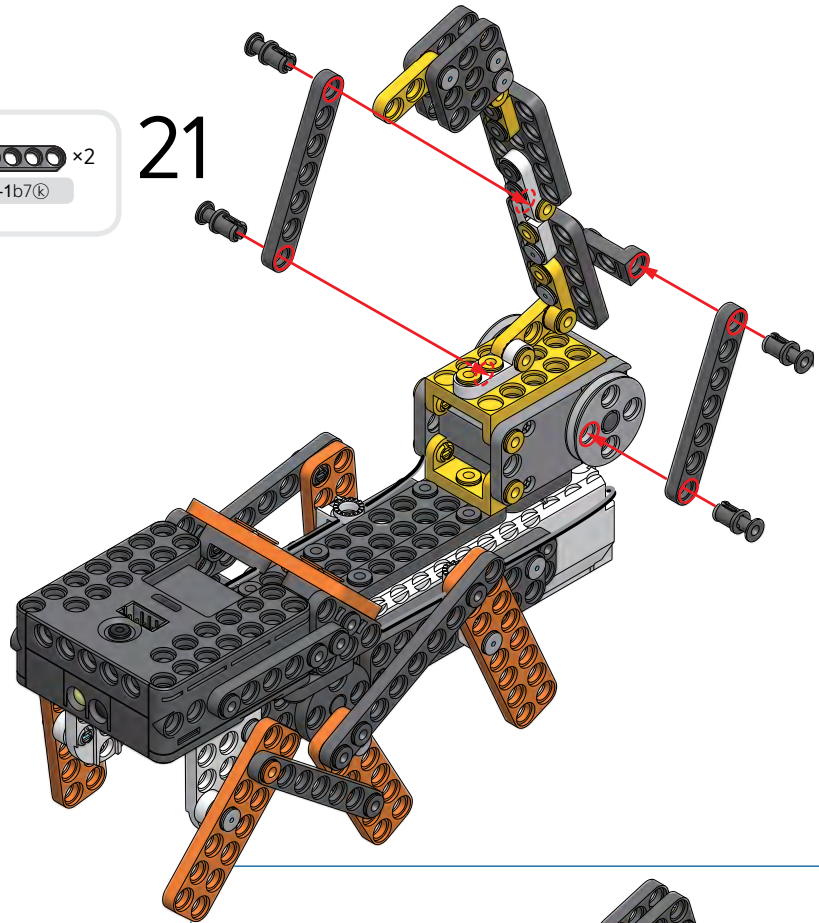
SRV-1H/1P 

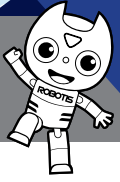
20



- SRV-1H/IP (x4)
- SPI-1b7 (x2)

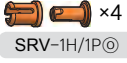
# 21





# My Own Robot!

Customize the appearance to make your own unique robot.

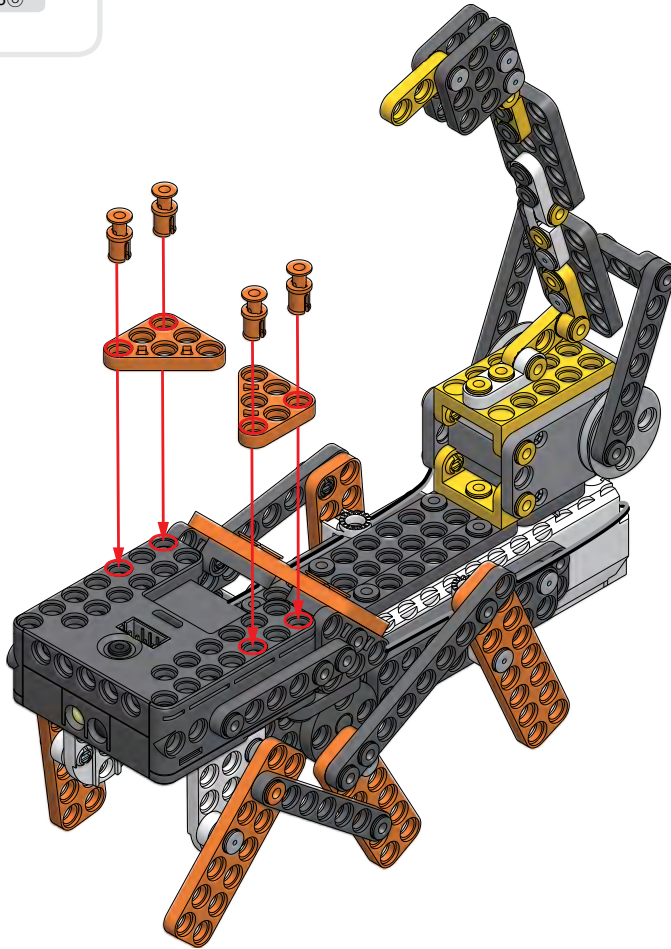


SRV-1H/1PⓈ







SPA-3b3Ⓢ

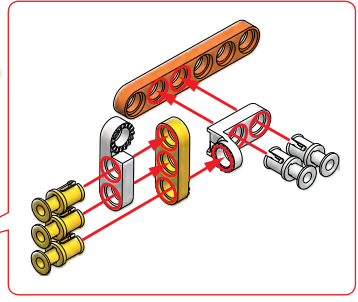
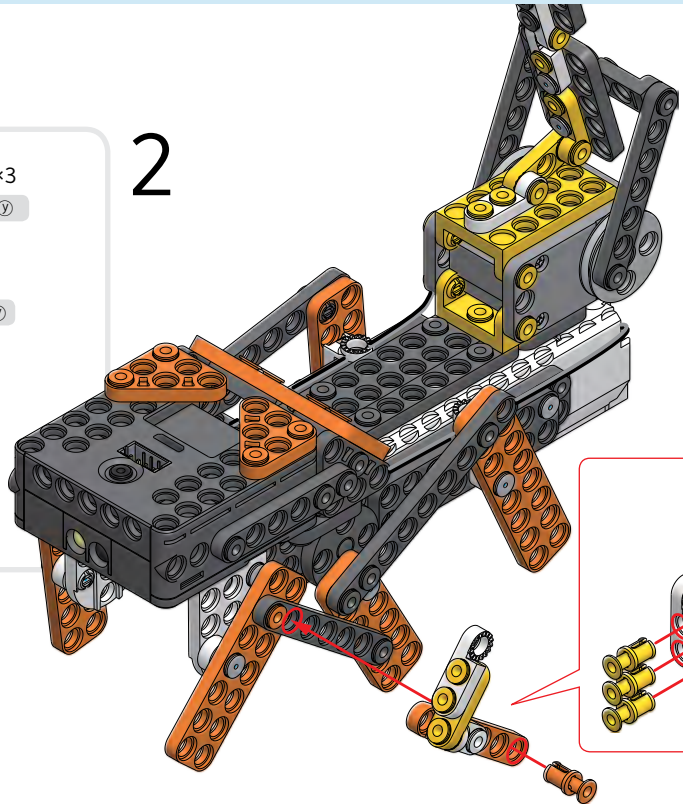
# 1





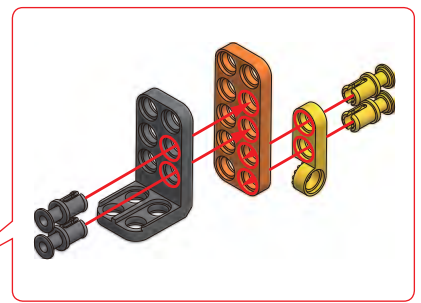
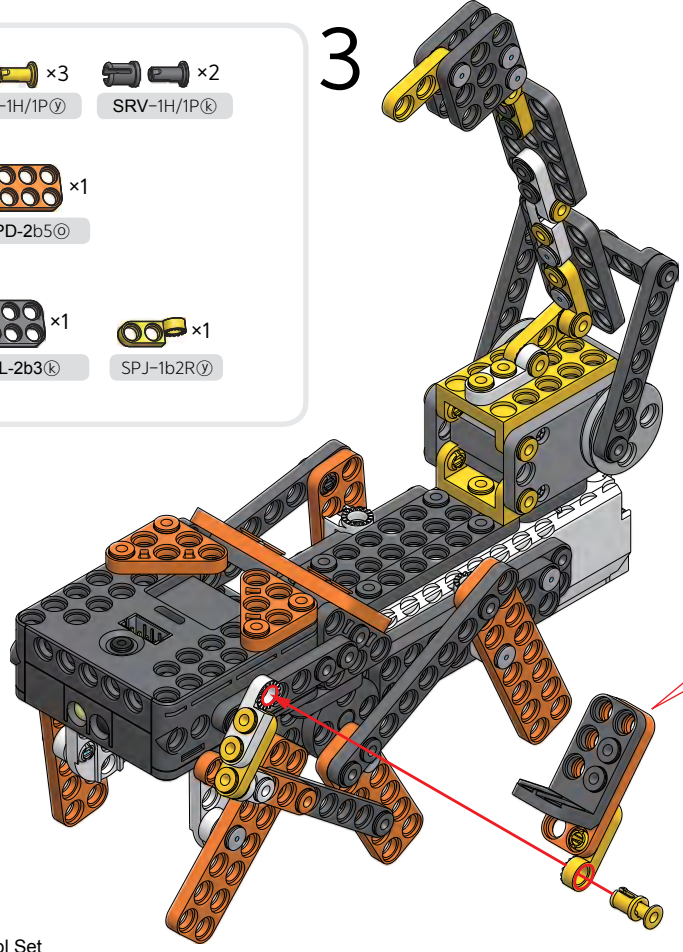
# 2

-  x2  x3
-  x1  x1
-  x1  x1
-  x1





# 3

-  x3  x2
-  x1
-  x1  x1



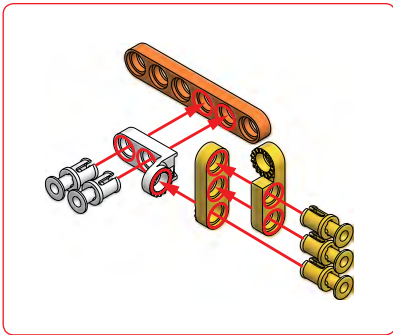
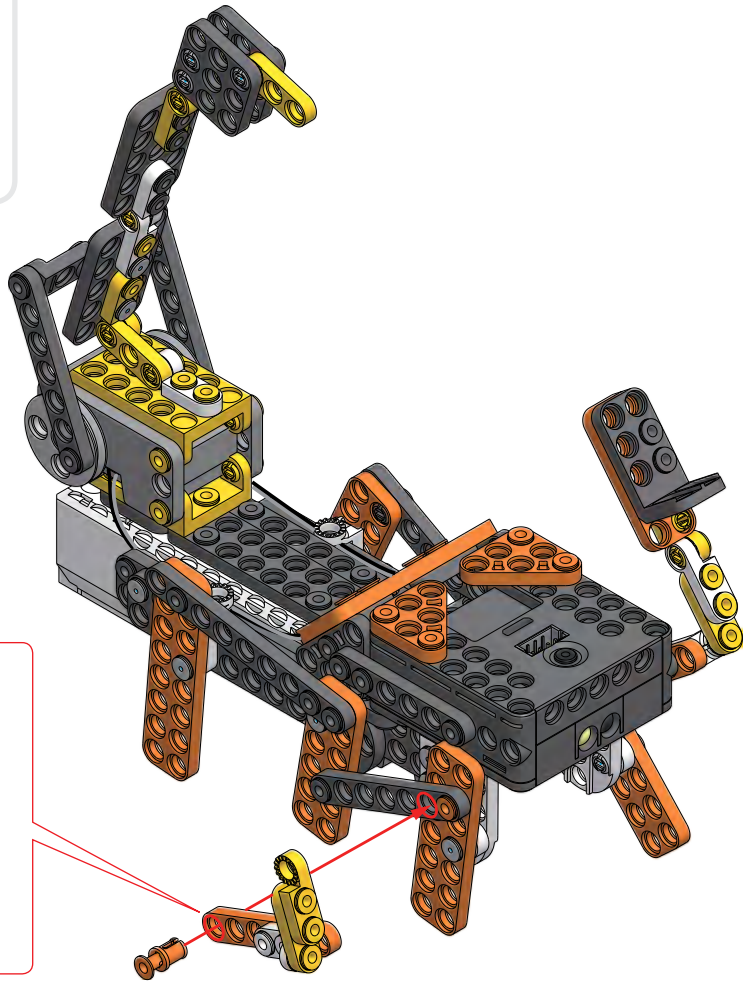
# 4

 x2     x3  
SRV-1H/1PⓈ    SRV-1H/1PⓈ

 x1     x1  
SRV-1H/1PⓈ    SPJ-1b2SⓈ

 x1     x1  
SPJ-1b2RⓈ    SPJ-1b2PⓈ

 x1  
SPI-1b6Ⓢ



# 5

- SRV-1H/1P (yellow) x3
- SRV-1H/1P (grey) x2

- SPD-2b5 (orange) x1

- SPL-2b3 (grey) x1
- SPJ-1b2L (grey) x1

