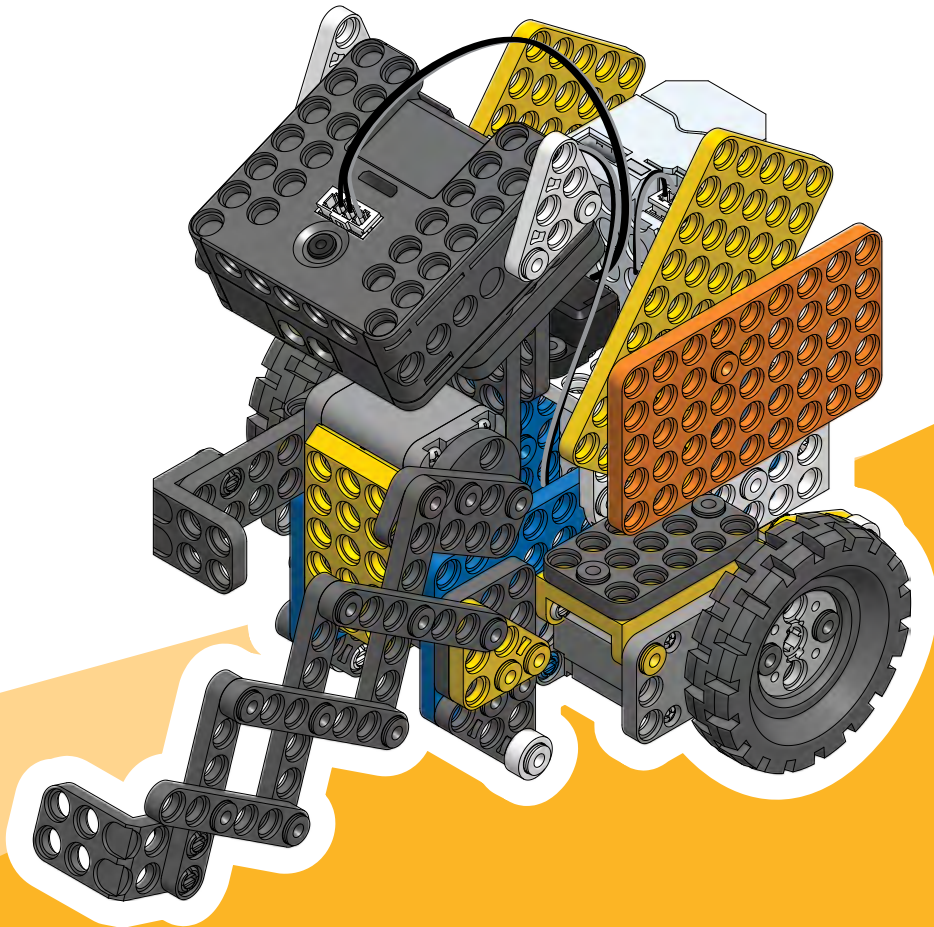


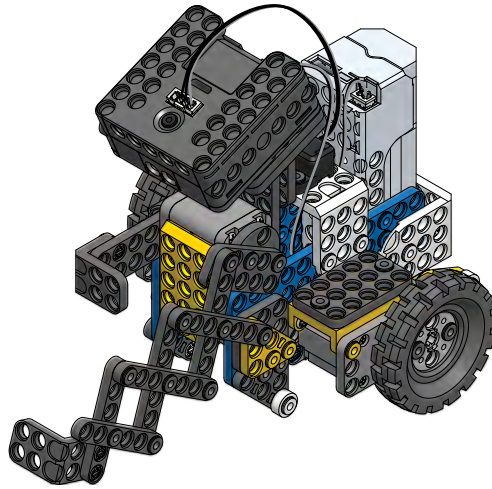


Security Robot

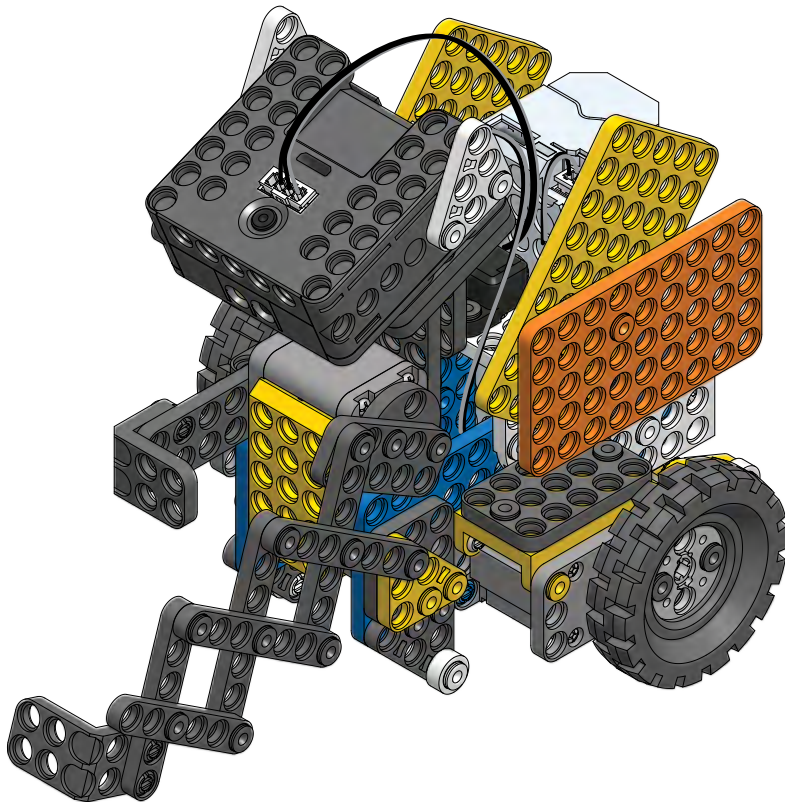


Let's build!

Let's build a robot.



Below is the final image of the robot when you are done with assembling the "My Own Robot" step.

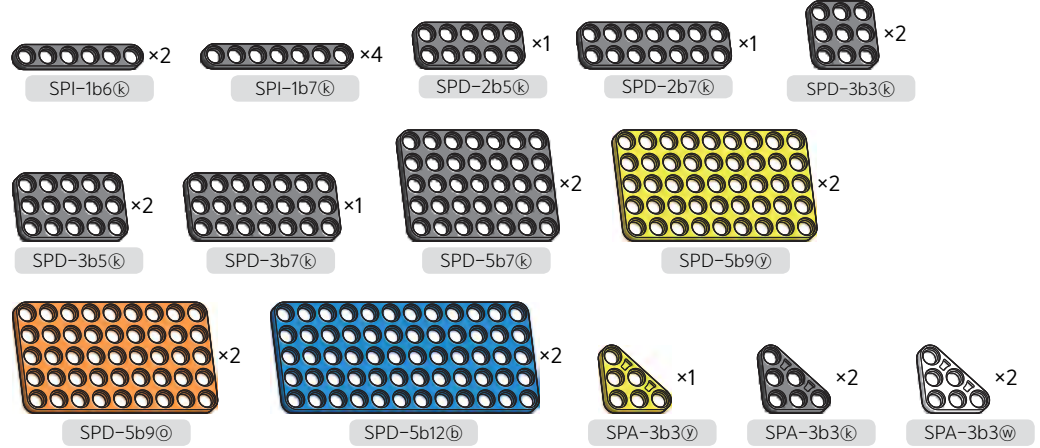


This chapter requires the following parts.

Rivet



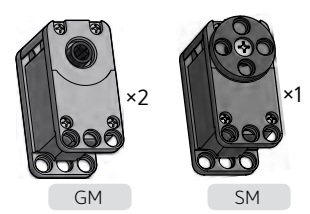
Plate



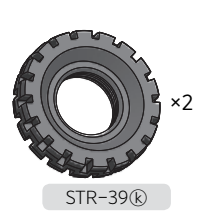
Controller



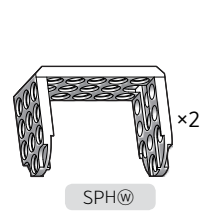
Geared motor Servo motor



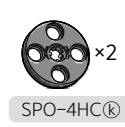
Tire



Hinge



Cross horn



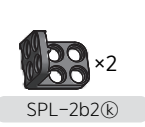
Pulley



Adaptor



Bracket



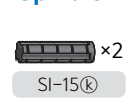
Cable



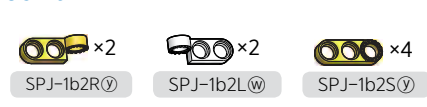
Spacer



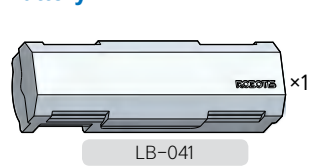
Spindle



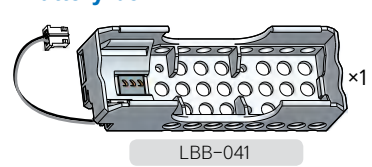
Joint



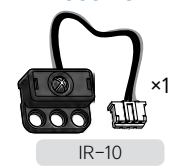
Battery



Battery box

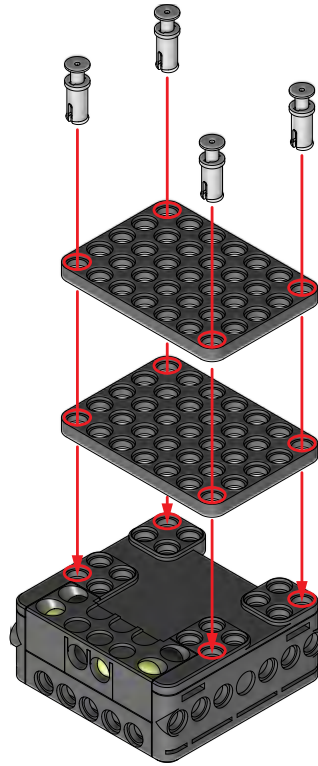


IR Receiver

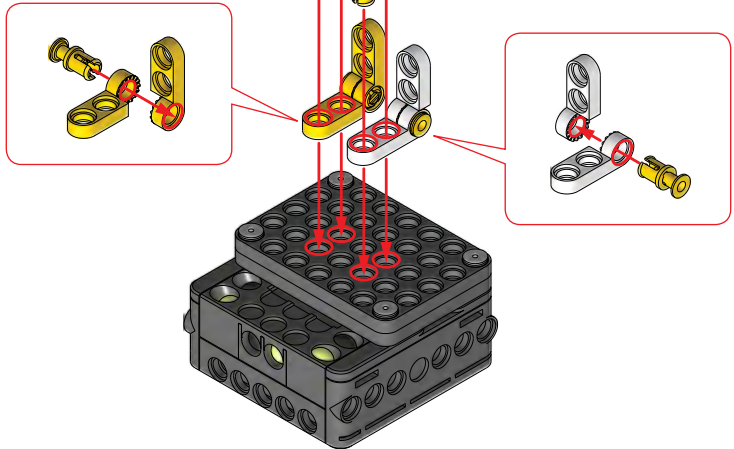
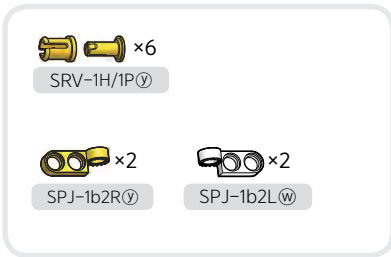


Building the Security Robot

1

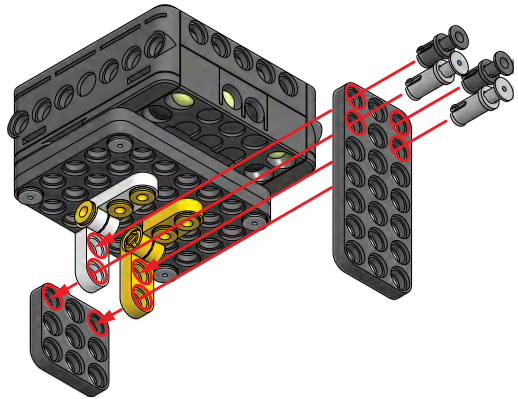


2



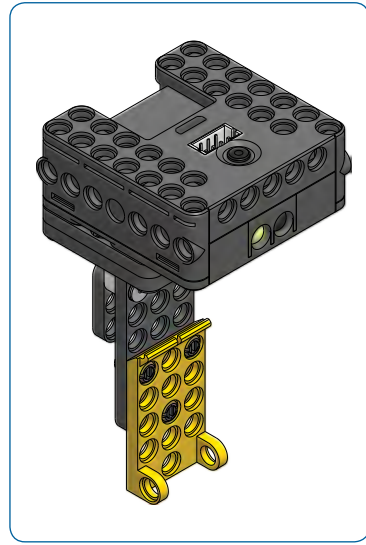
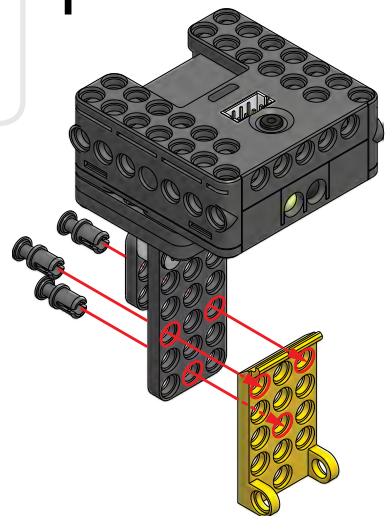
- SRV-1H/1P (K) ×2
- SRV-1LH/1LP ×2
- SPD-3b3 (K) ×1
- SPD-3b7 (K) ×1

3



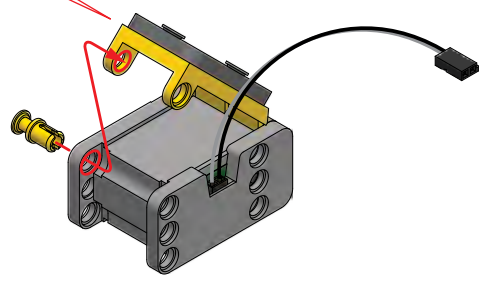
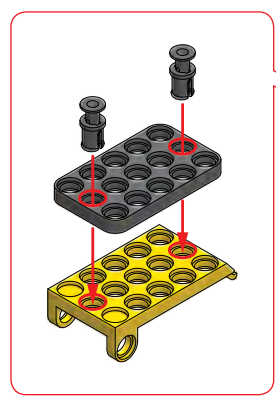
- SRV-1H/1P (K) ×3
- SPY-3b4 (V) ×1

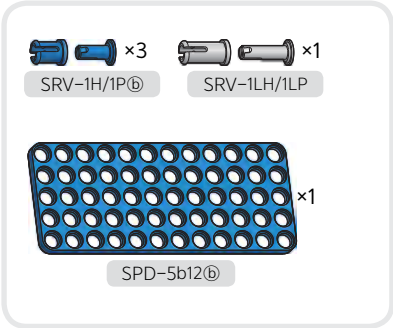
4



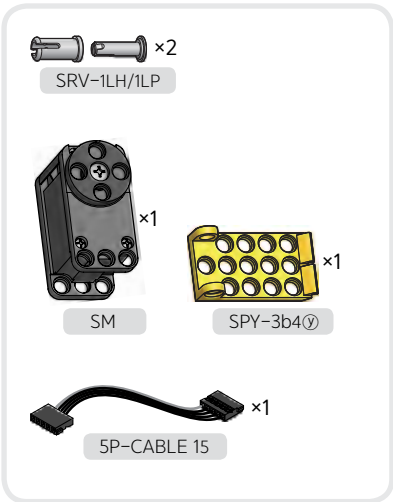
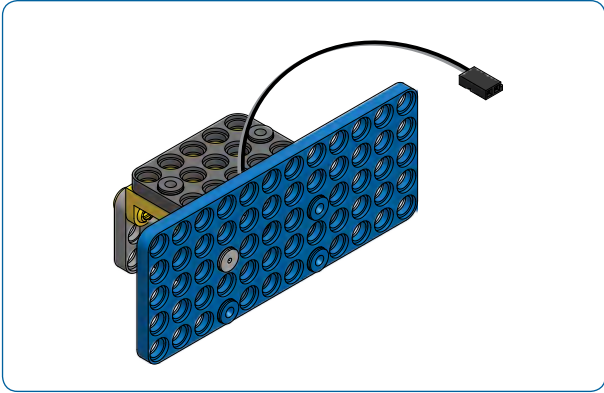
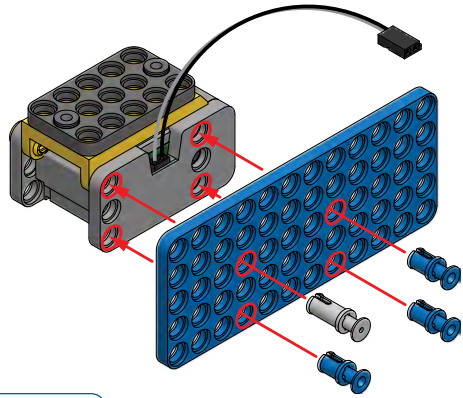
- SRV-1H/1P (K) ×2
- SRV-1H/1P (V) ×1
- SPD-3b5 (K) ×1
- SPY-3b4 (V) ×1
- GM ×1

5

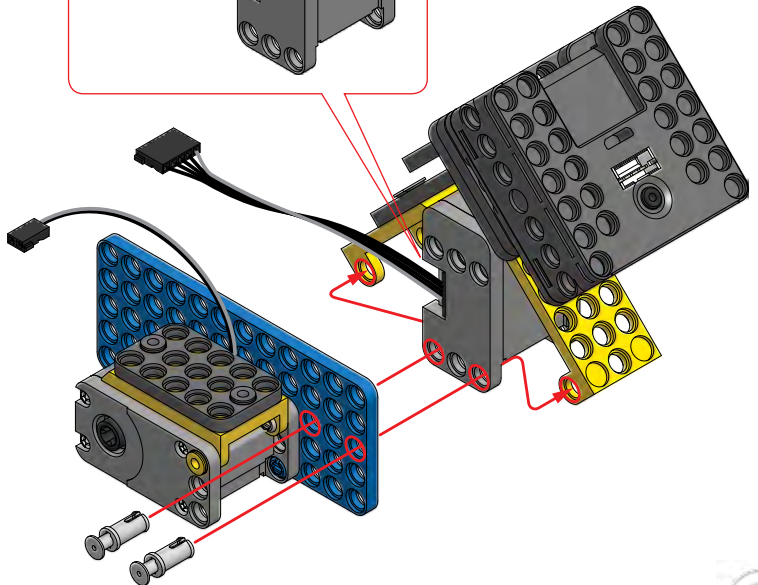
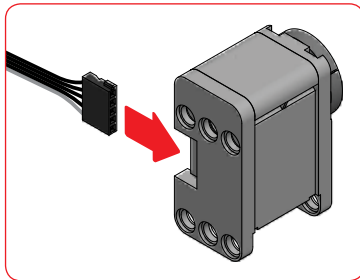




6

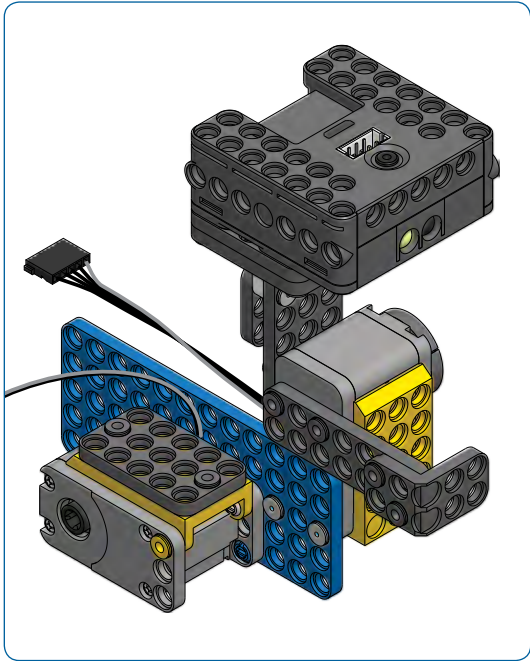
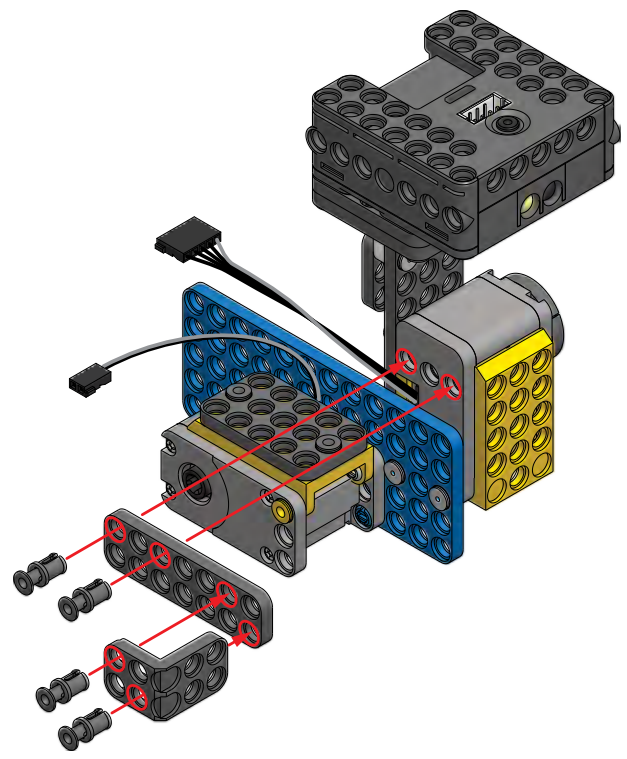


7




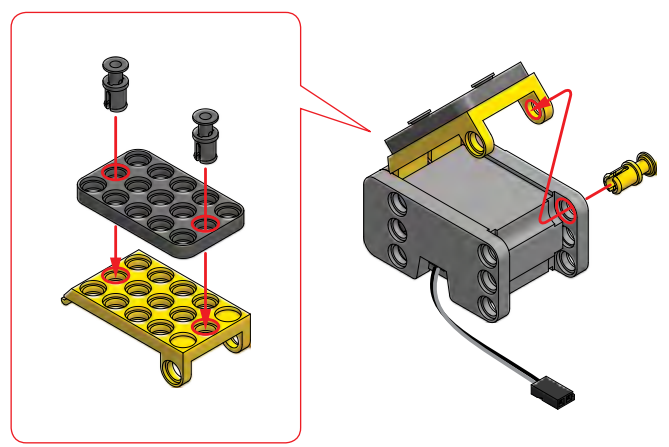
8

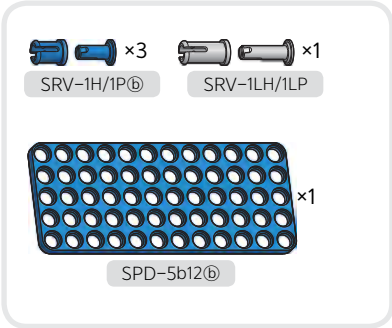
-  ×4
-  ×1
-  ×1



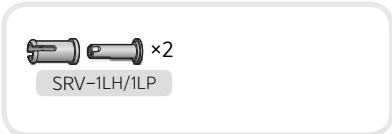
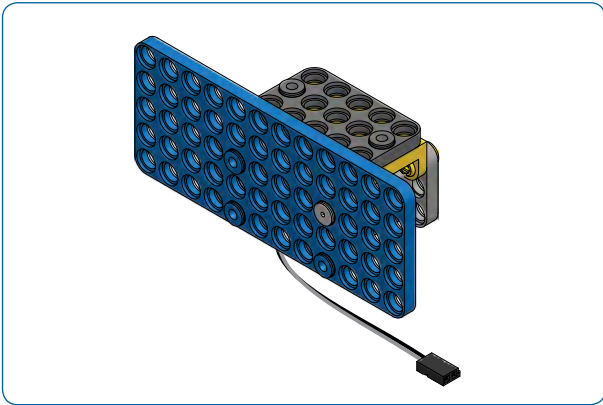
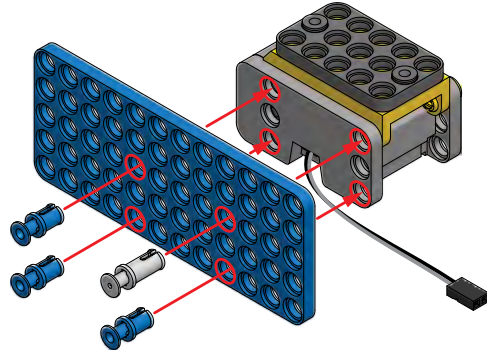
9

-  ×2
-  ×1
-  ×1
-  ×1
-  ×1

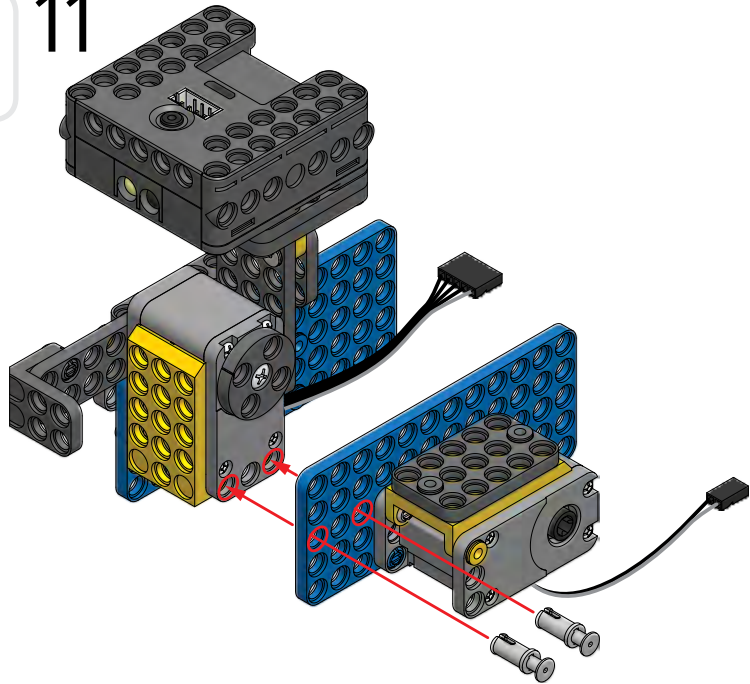




10



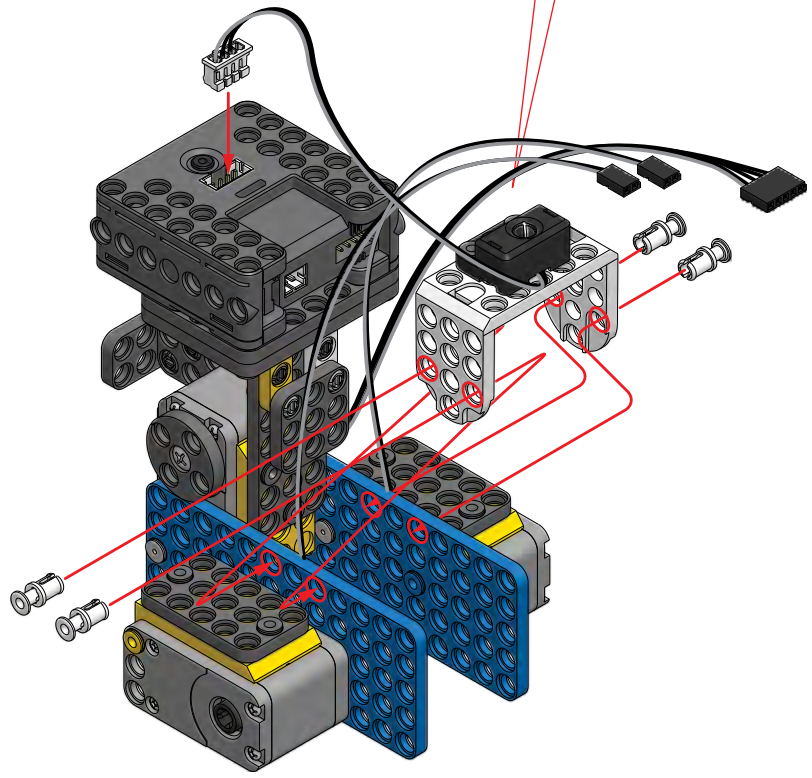
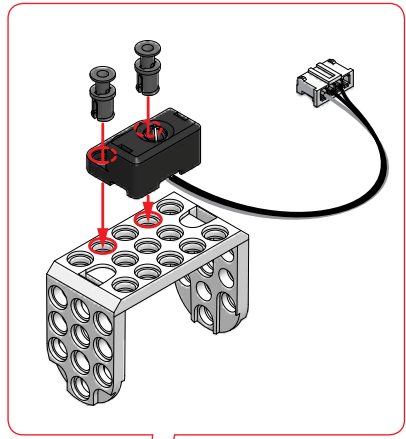
11



12

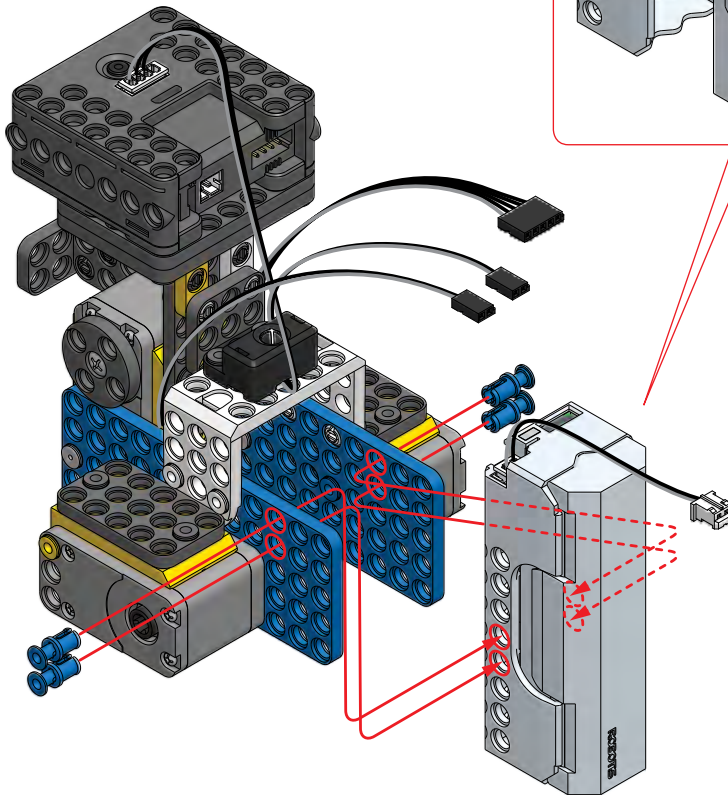
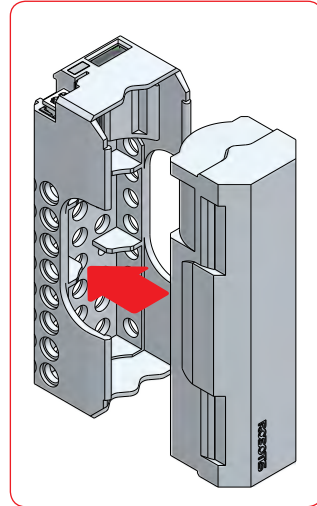
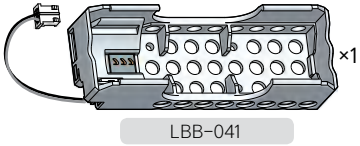
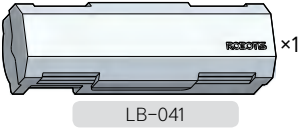
SRV-1H/1PⓂ ×4 SRV-1H/1PⓀ ×2

SPHⓂ ×1 IR-10 ×1







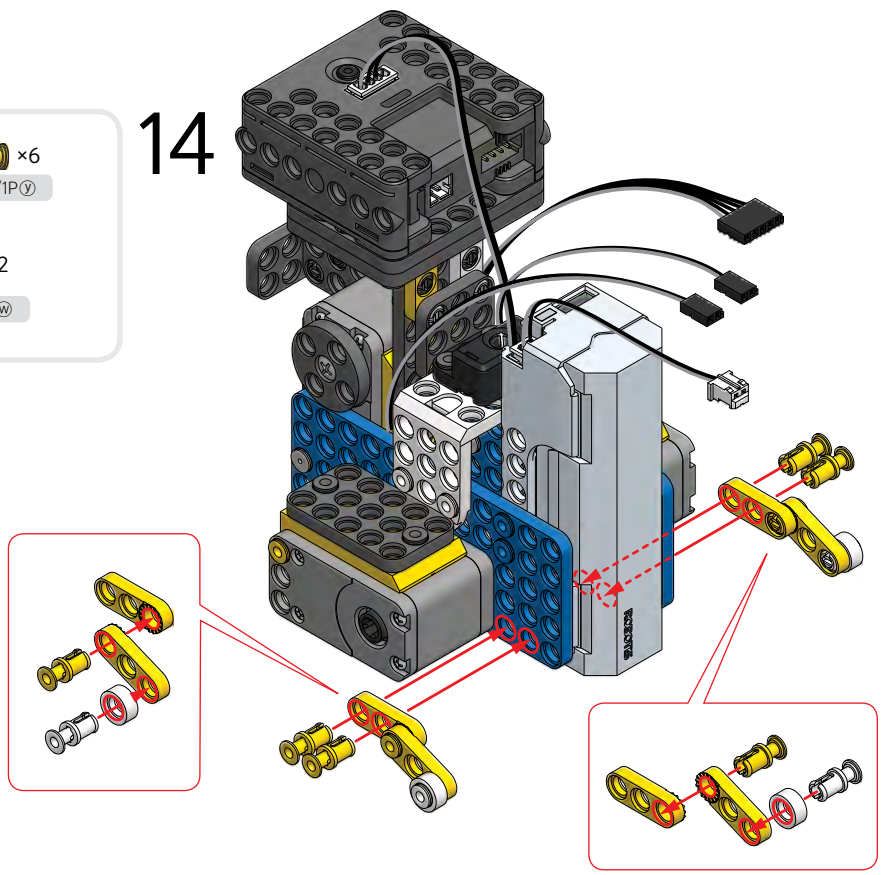
13

SRV-1H/1P ⑥ ×4


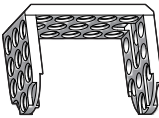


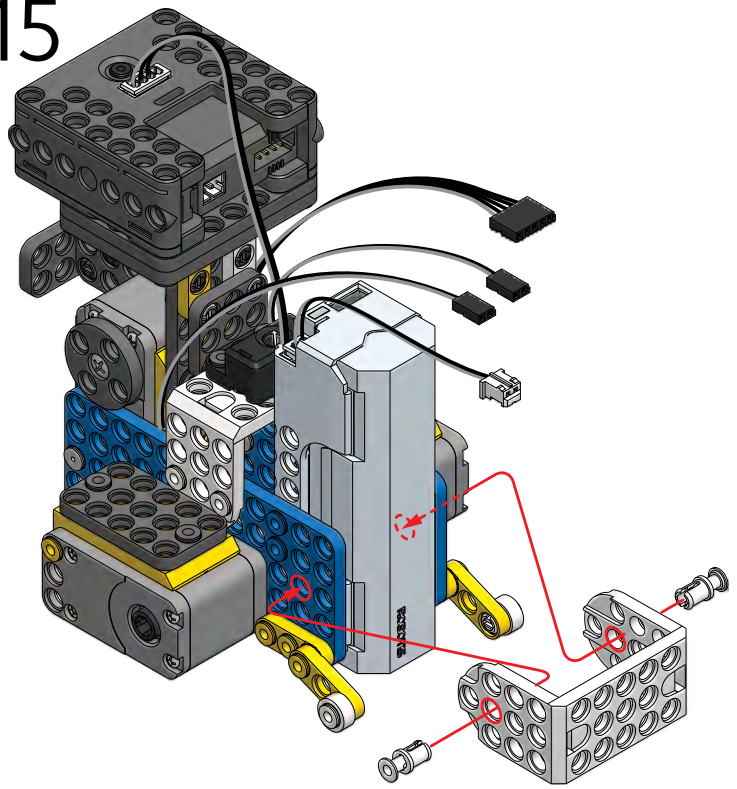
14

-  ×2
-  ×6
-  ×4
-  ×2

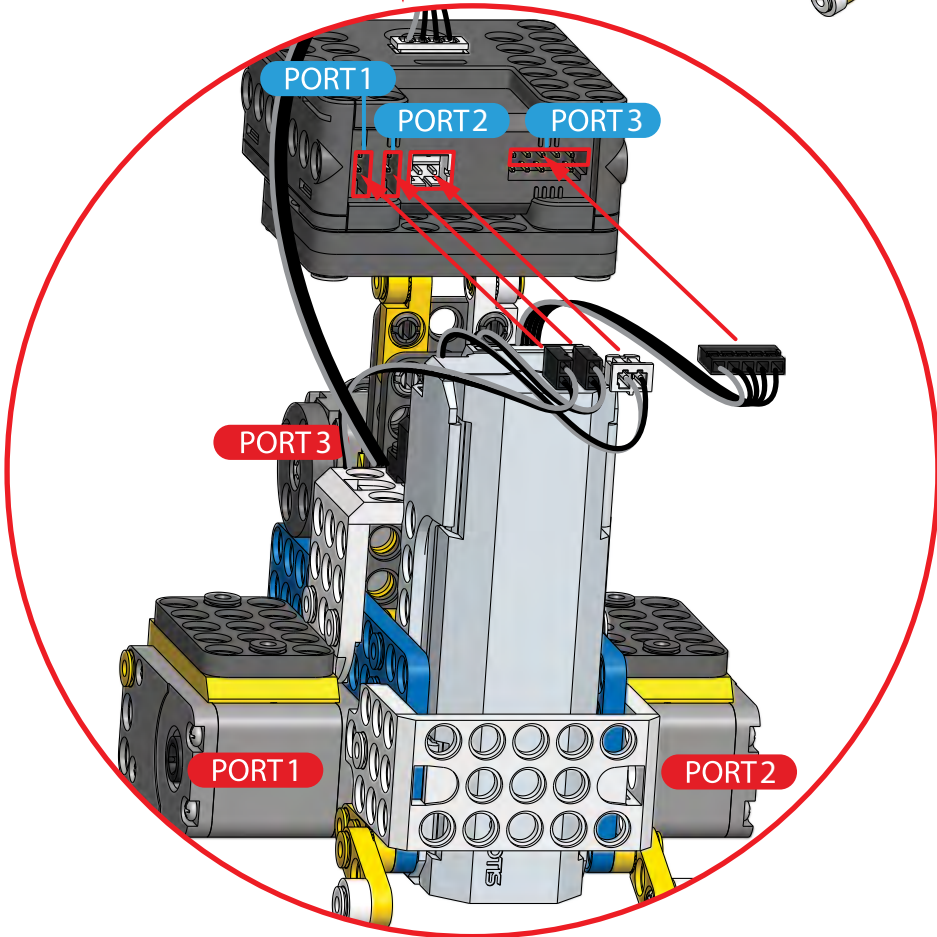
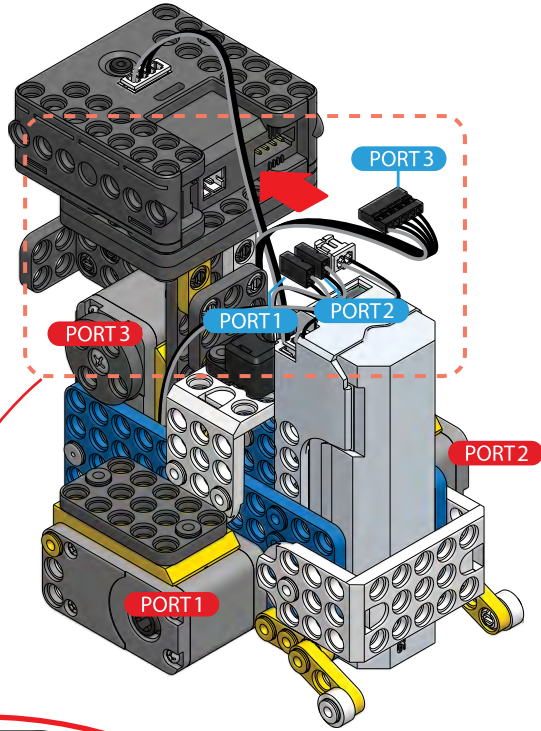


15

-  ×2
-  ×1

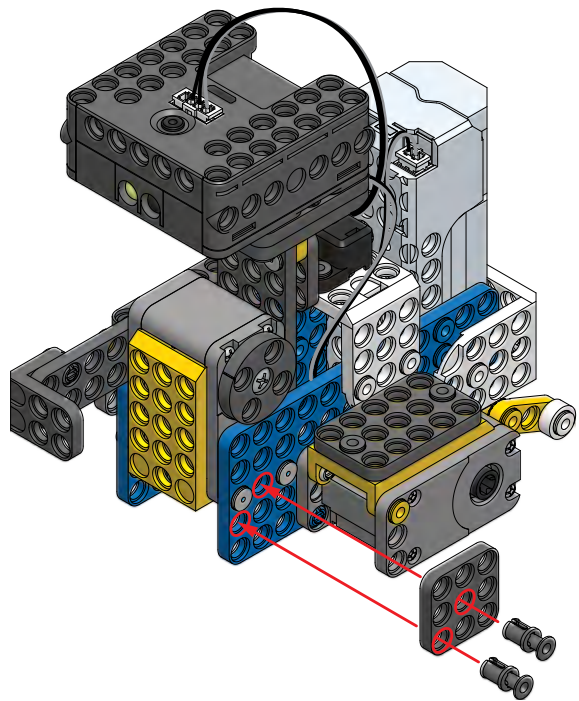


16



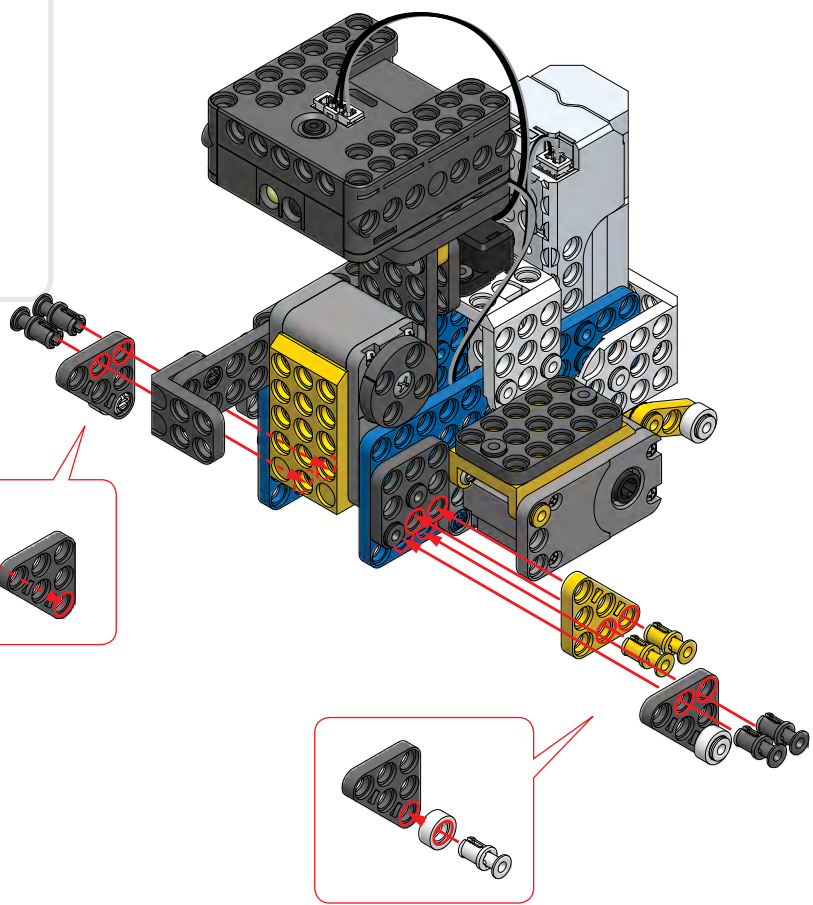
17


-  ×2
SRV-1H/1P (k)
-  ×1
SPD-3b3 (k)





18

-  ×4
SRV-1H/1P (k)
-  ×2
SRV-1H/1P (w)
-  ×2
SRV-1H/1P (y)
-  ×2
SPO-1A (w)
-  ×2
SPA-3b3 (k)
-  ×1
SPA-3b3 (y)

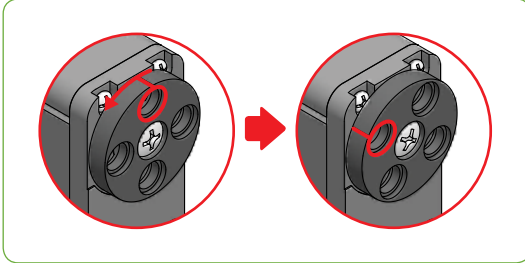
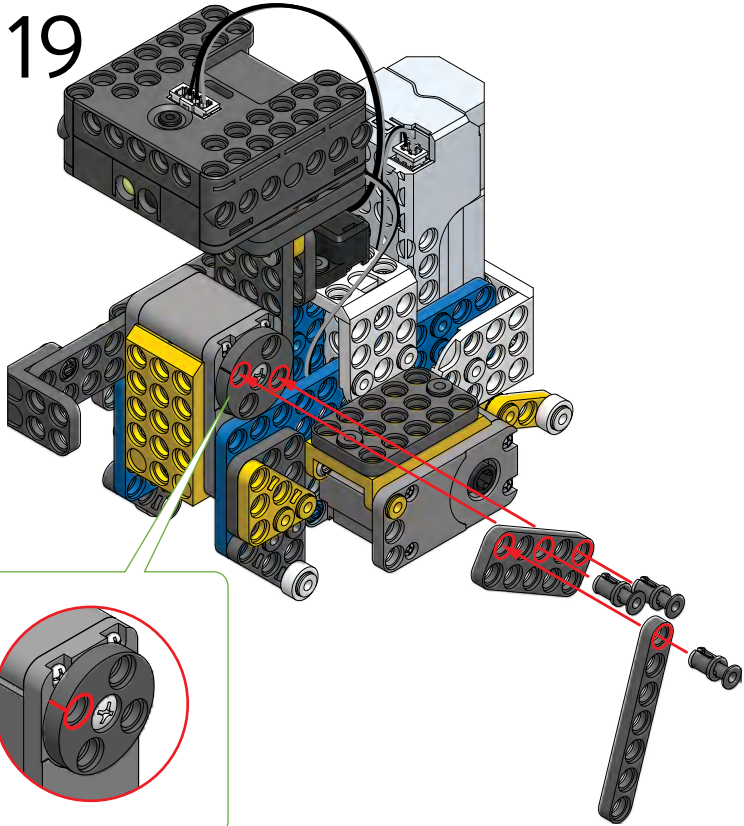



 x3
 SRV-1H/1P (k)


 x1
 SPI-1b7 (k)

 x1
 SPD-2b5 (k)

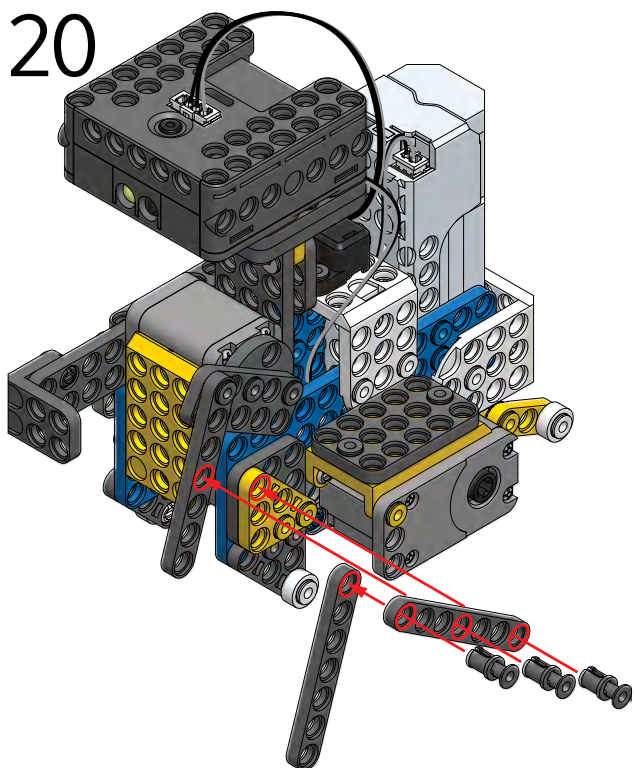
19



 x3
 SRV-1H/1P (k)

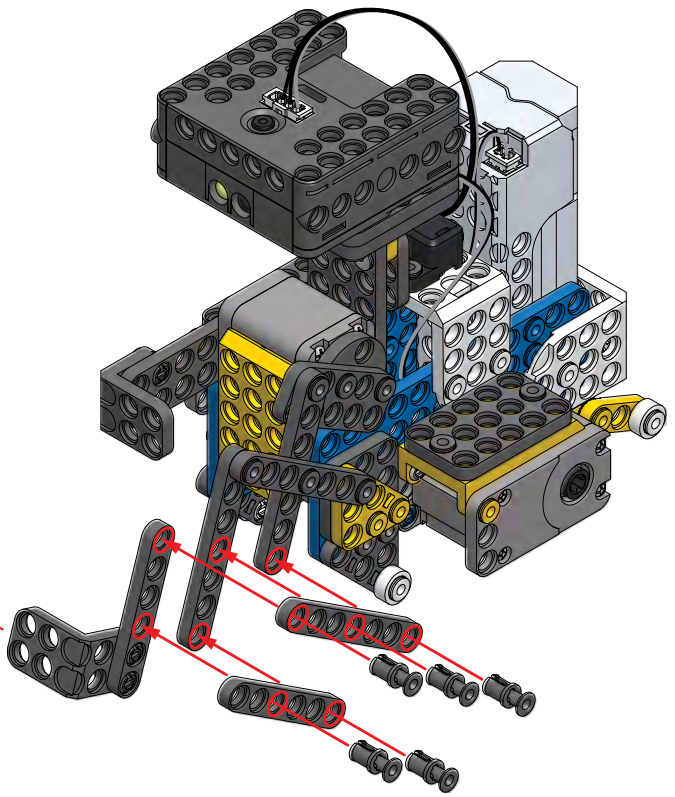
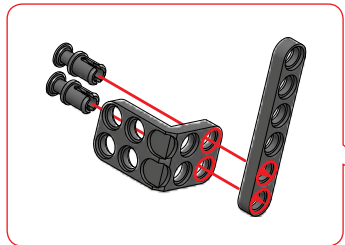
 x2
 SPI-1b7 (k)

20



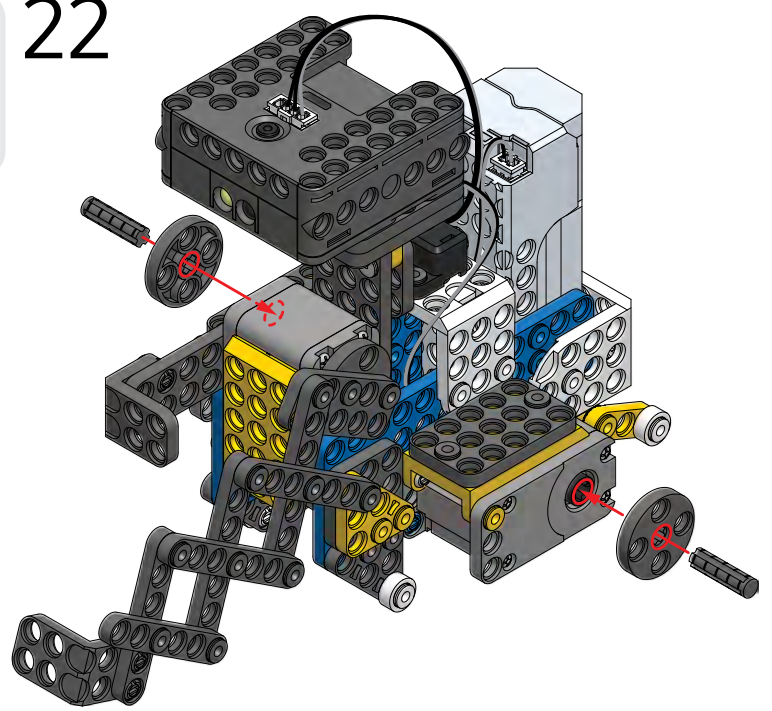
21

- SRV-1H/1P (K) x7
- SPI-1b7 (K) x1
- SPI-1b6 (K) x2
- SPL-2b2 (K) x1



22

- SPO-4HC (K) x2
- SI-15 (K) x2

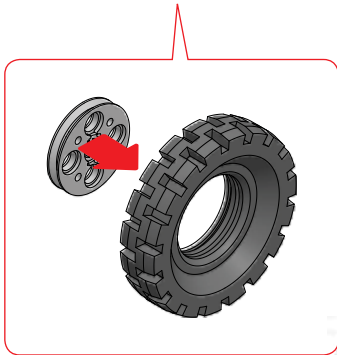
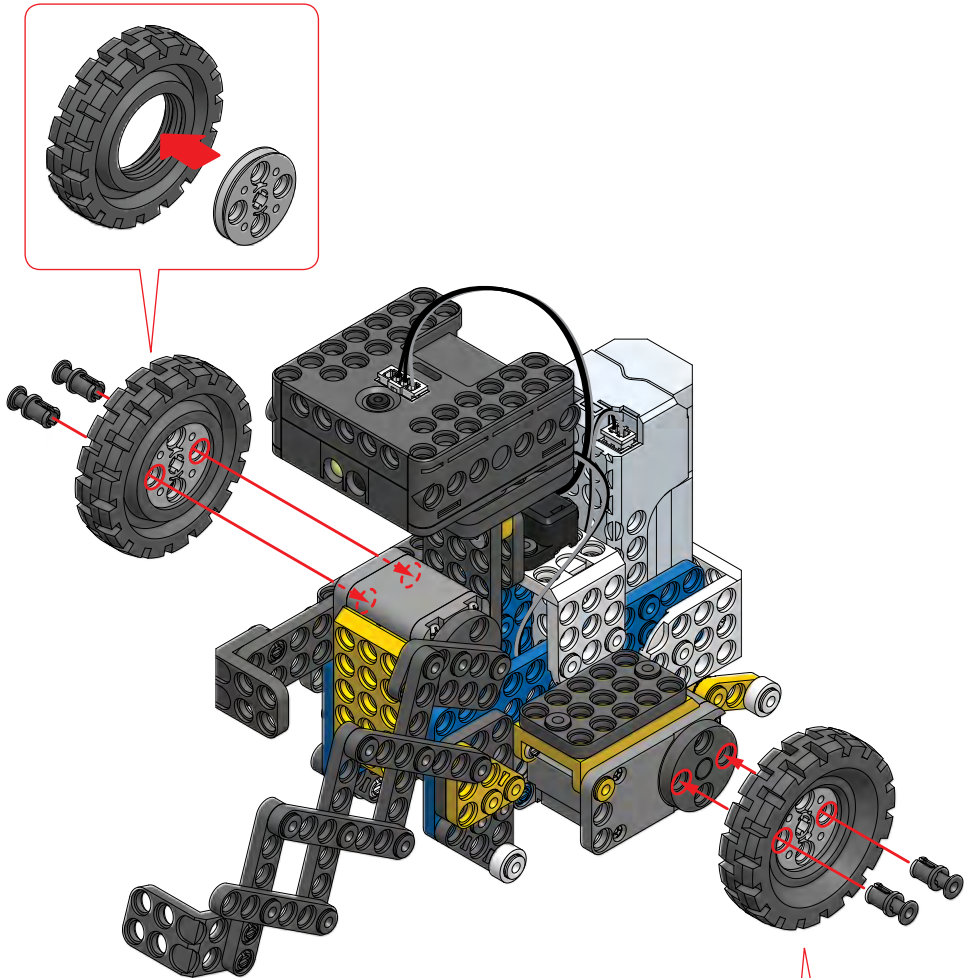


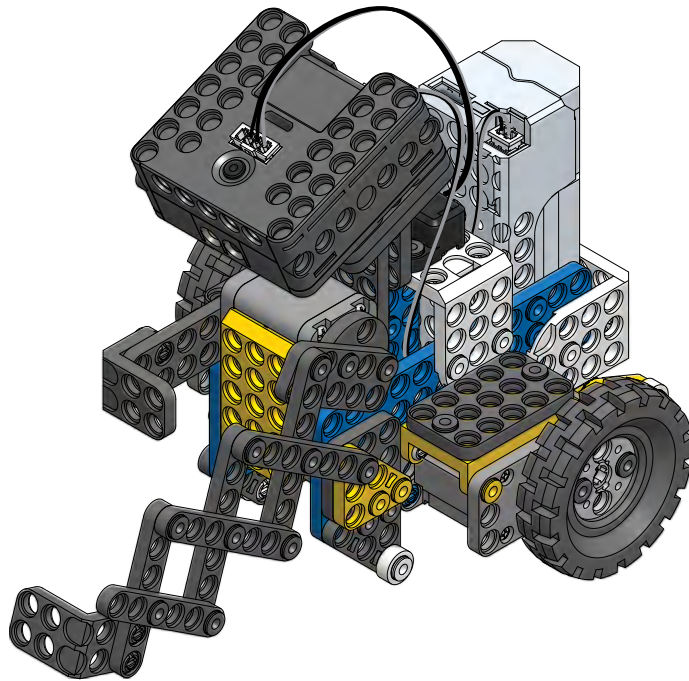
23

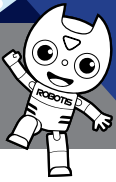
SRV-1H/1P (K) ×4

SPO-4PC (G) ×2

STR-39 (K) ×2





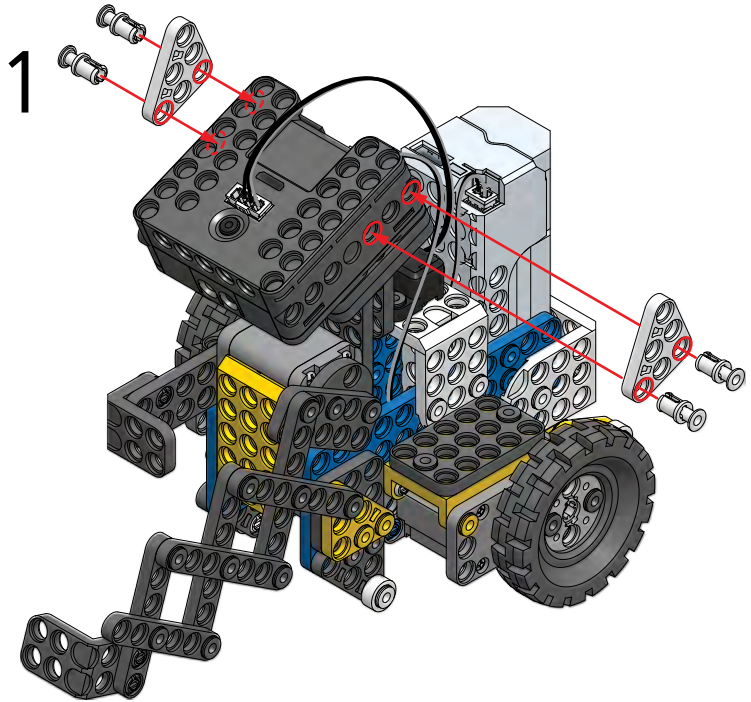



My Own Robot!


Customize the appearance to make your own unique robot.

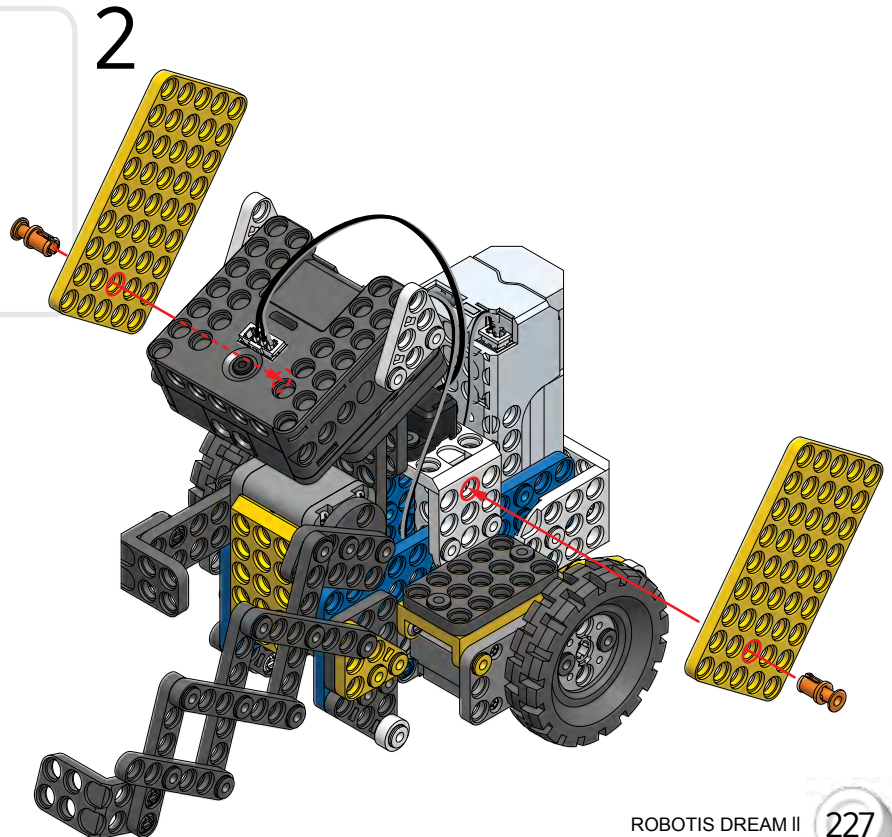
 x4
SRV-1H/1PⓂ

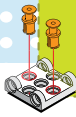
 x2
SPA-3b3Ⓜ



 x2
SRV-1H/1PⓂ

 x2
SPD-5b9Ⓜ





3

SRV-1H/1PⓄ ×2

SPD-5b9Ⓞ ×2

