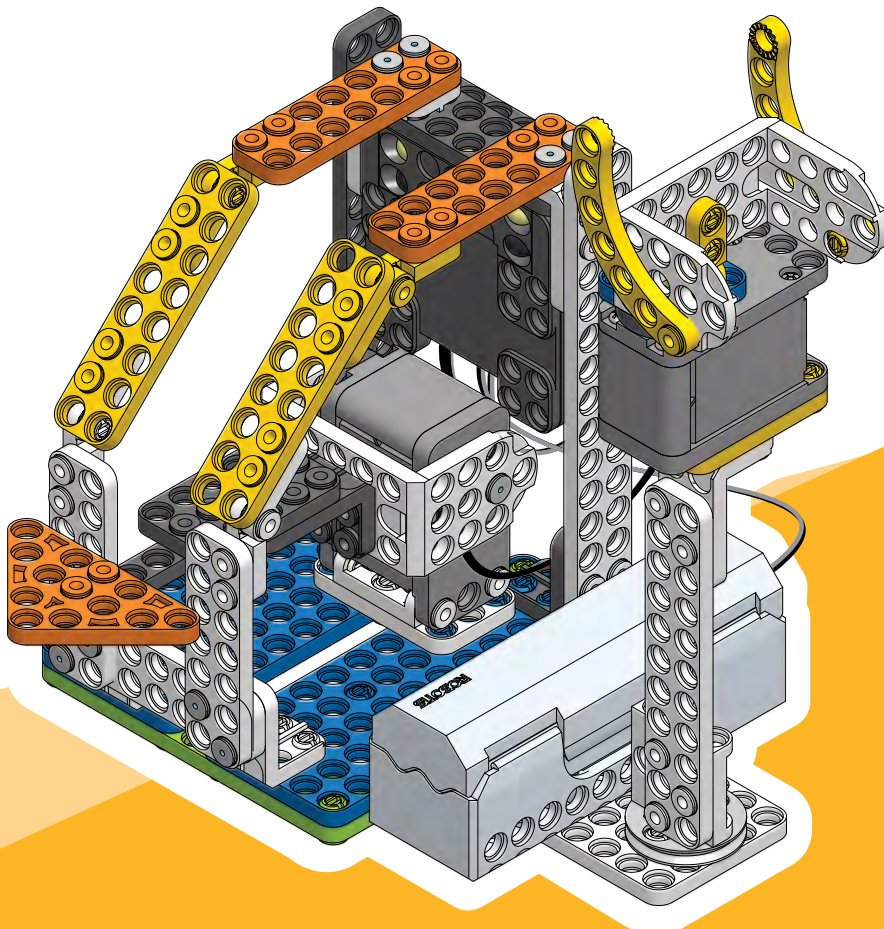


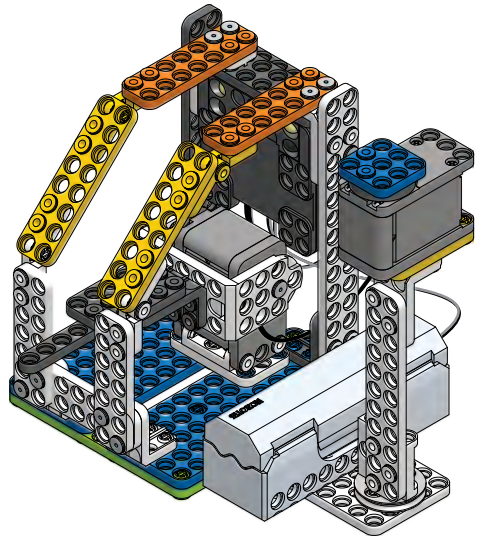


Sound Detecting Robot

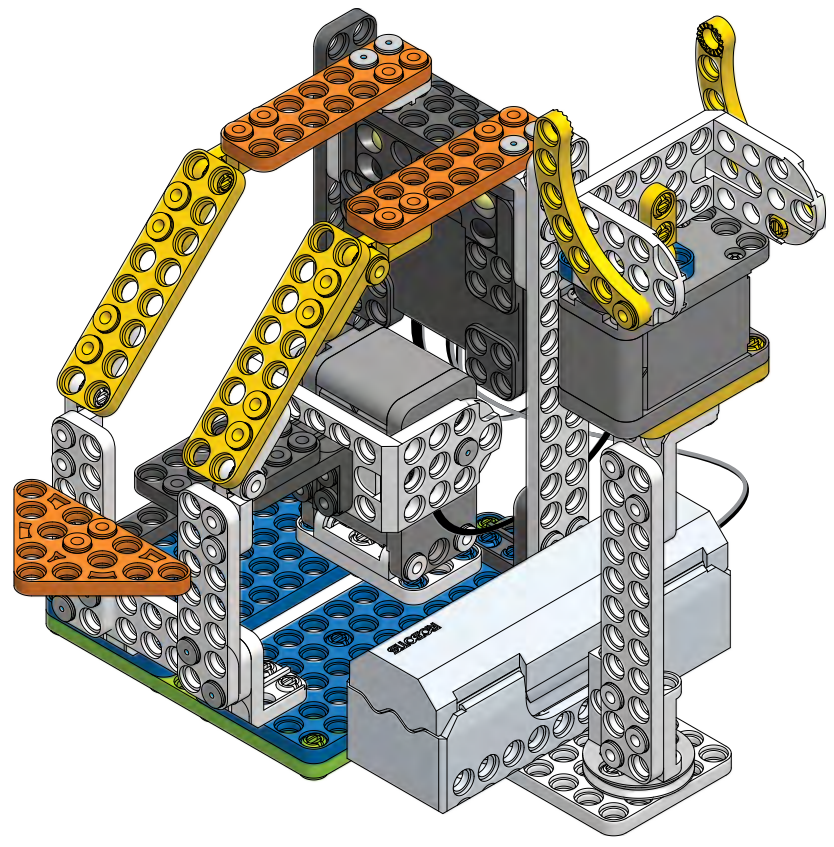


Let's build!

Let's build a robot.



Below is the final image of the robot when you are done with assembling the "My Own Robot" step.

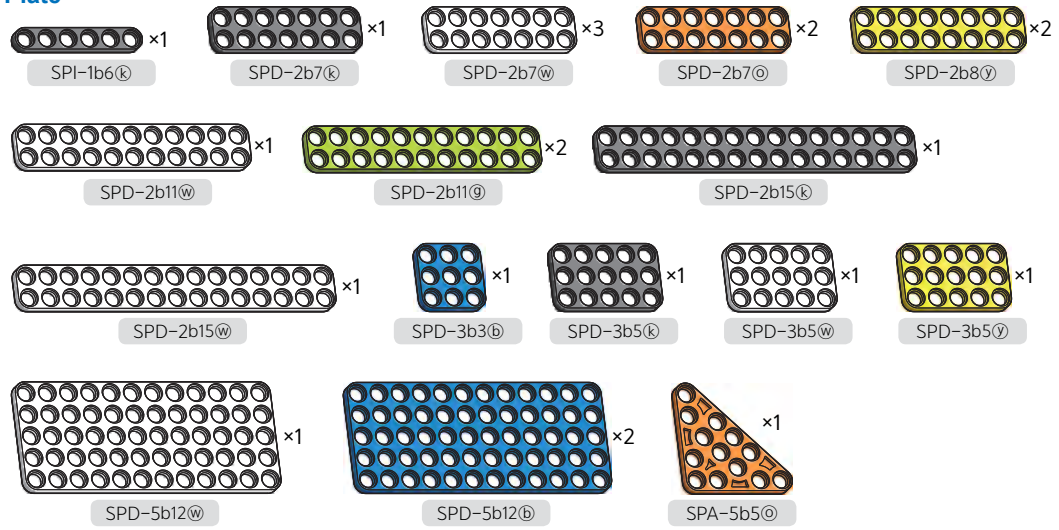


This chapter requires the following parts.

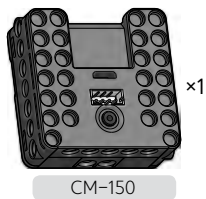
Rivet



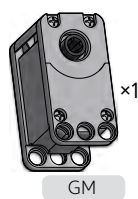
Plate



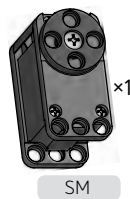
Controller



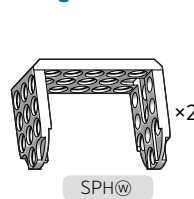
Geared motor



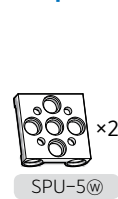
Servo motor



Hinge



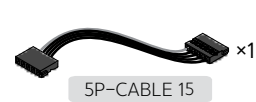
Adaptor



Bracket



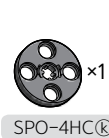
Cable



Pulley



Cross horn



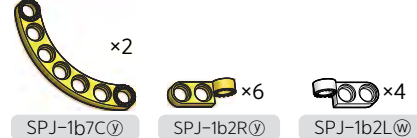
Spacer



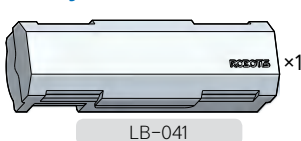
Spindle



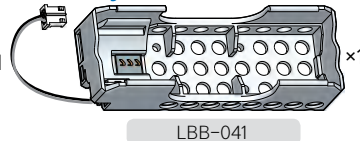
Joint



Battery





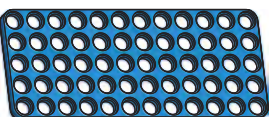


Battery box

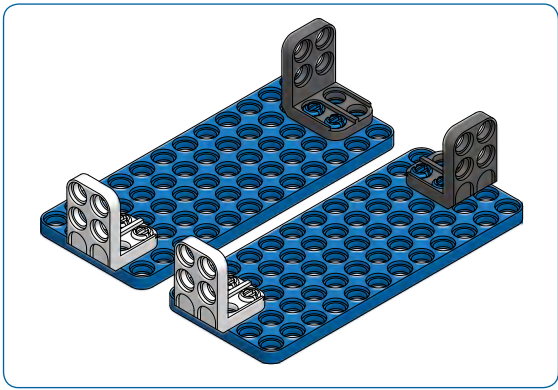
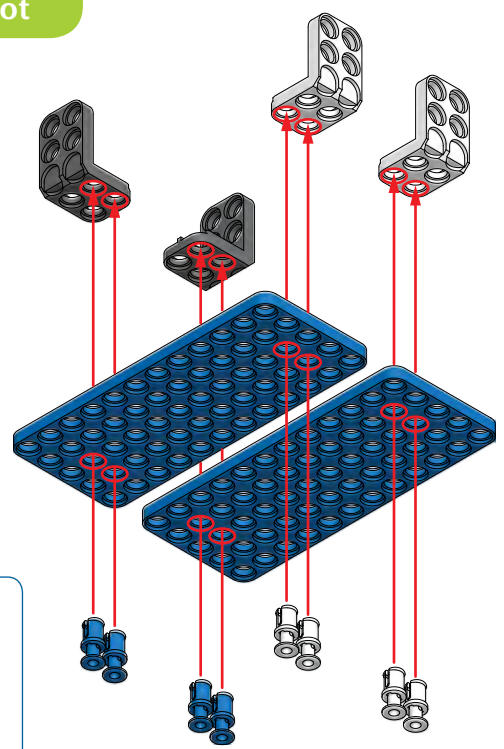




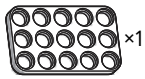
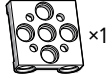
• Parts and color of the products might be different from the images of the assembly manual.

Building the sound detecting robot

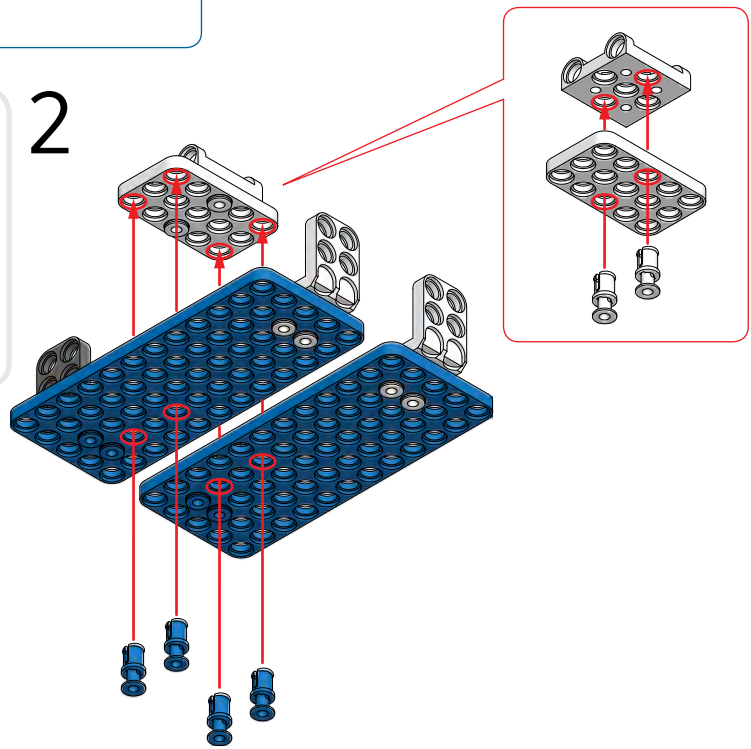
- 1**
-  ×4
 -  ×4
 -  ×2
 -  ×2
 -  ×2

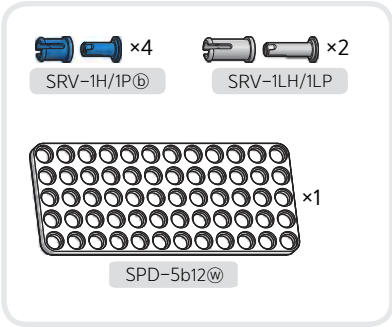
1



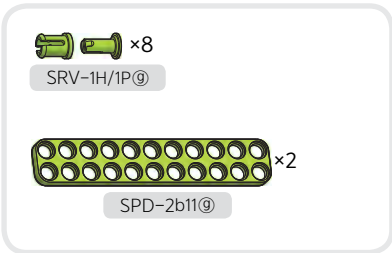
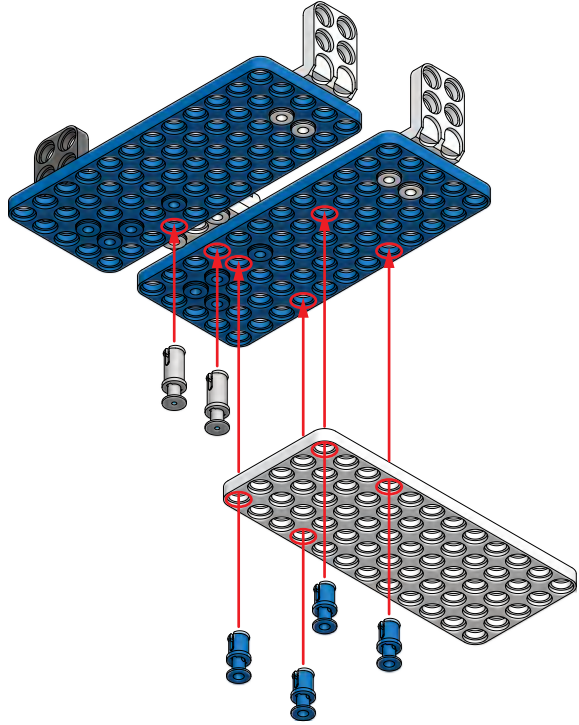
- 2**
-  ×2
 -  ×4
 -  ×1
 -  ×1

2

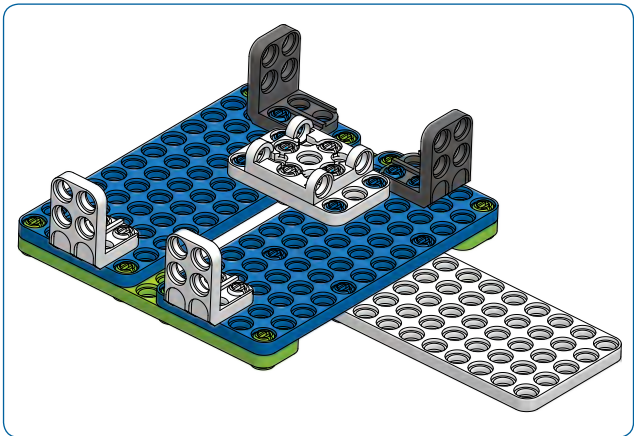
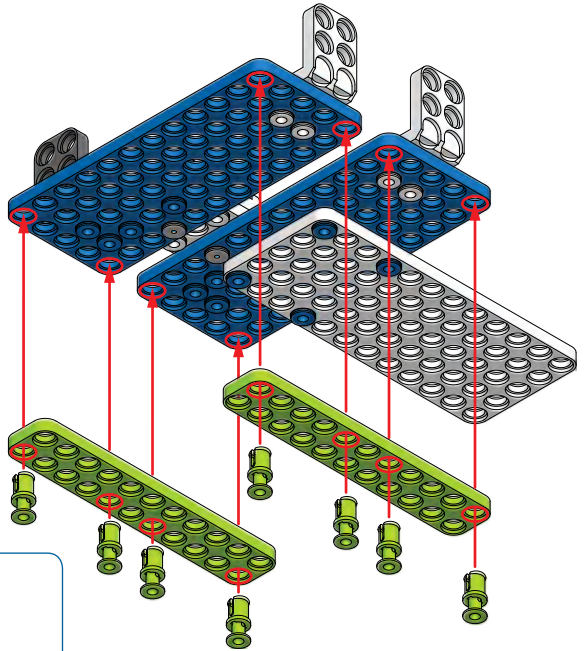





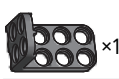


3

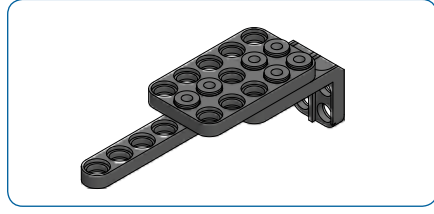
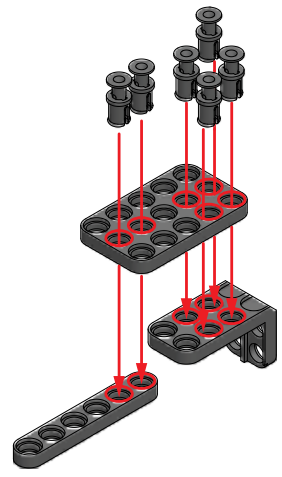



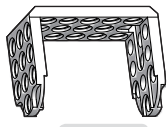
4



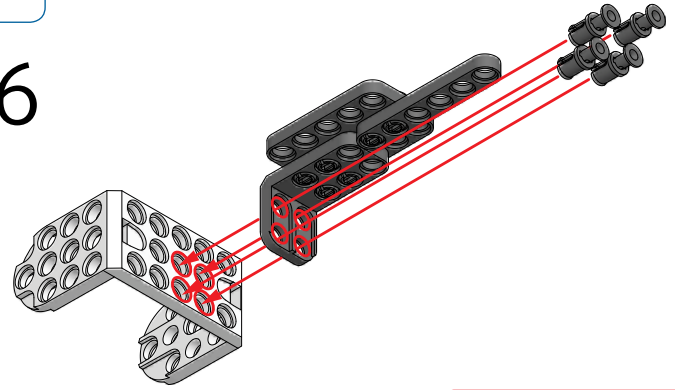
-  x6  x1
 SRV-1H/1P(k) SPI-1b6(k)
-  x1  x1
 SPD-3b5(k) SPL-2b3(k)



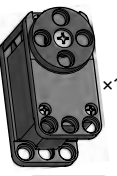


5



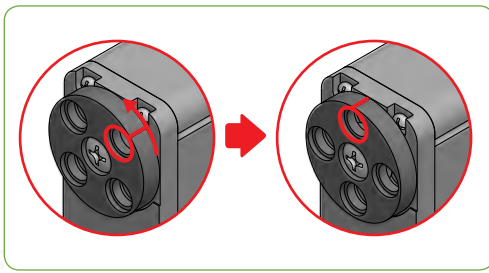
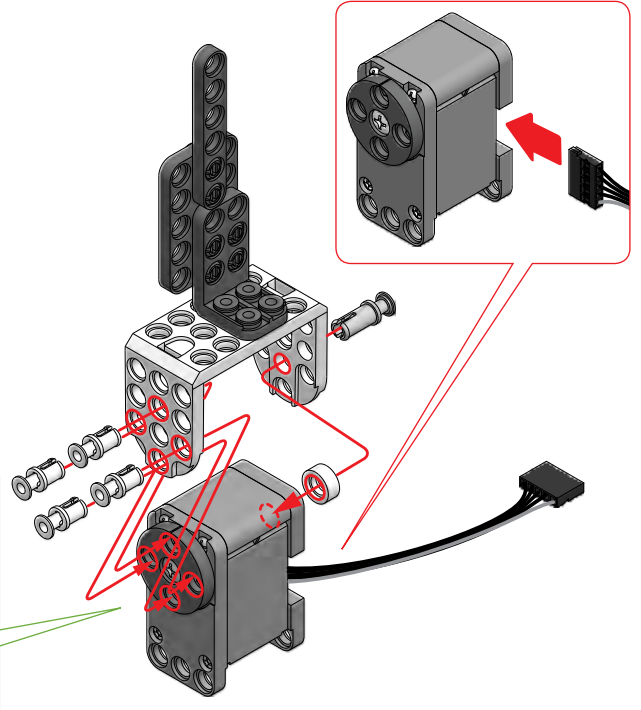
-  x4  x1
 SRV-1H/1P(k) SPH(w)

6

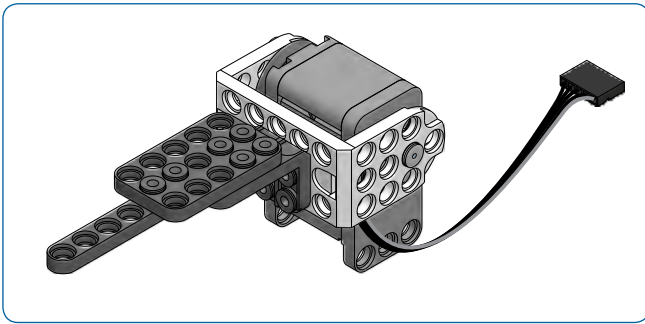
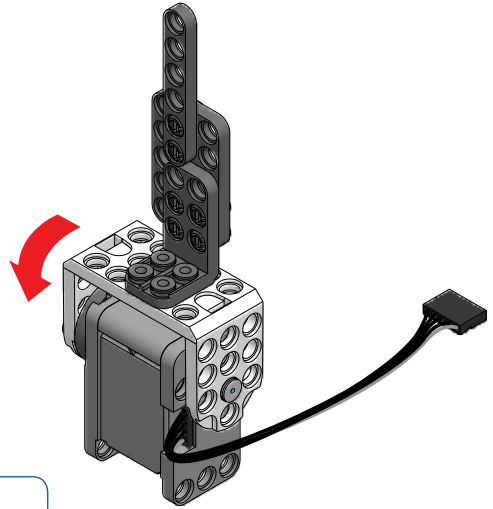


-  x4  x1
 SRV-1H/1P(w) SRV-1LH/1LP
-  x1  x1
 SM SPO-1A(w)
-  x1
 5P-CABLE 15

7

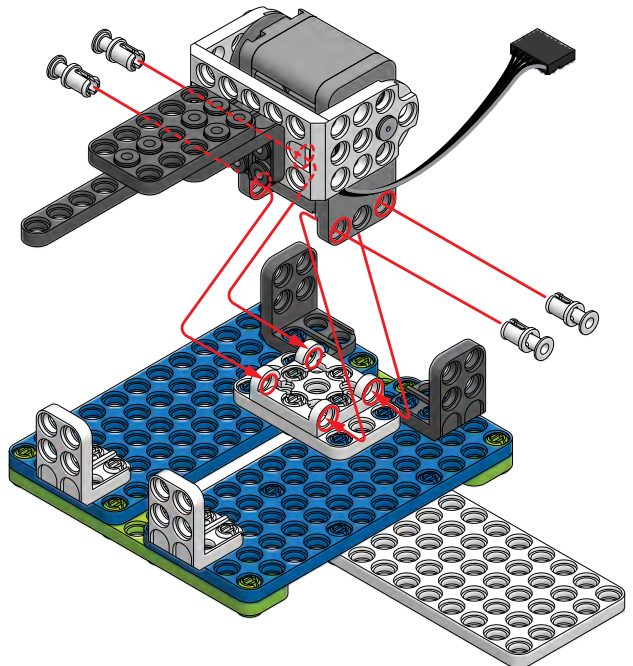


8



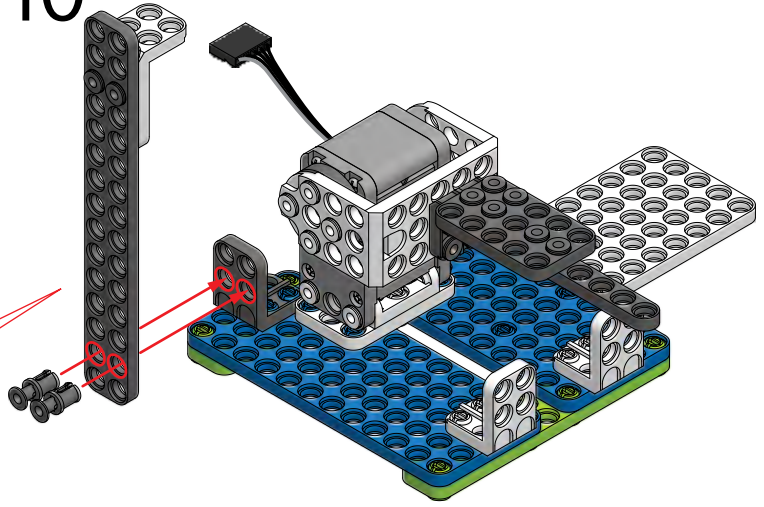
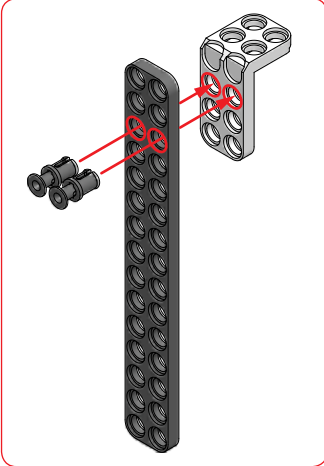
9

  x4
SRV-1H/1P®



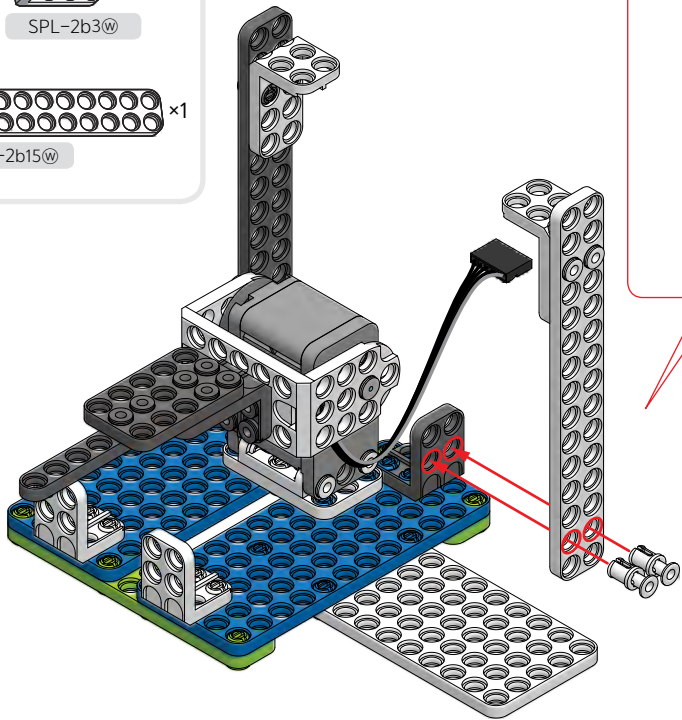
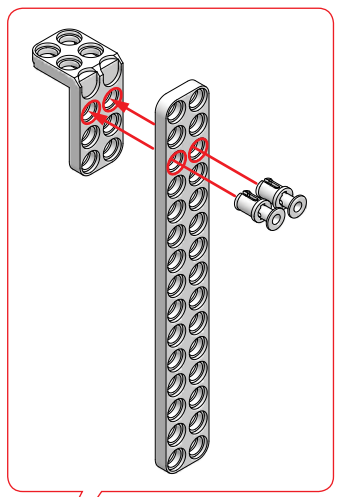
10

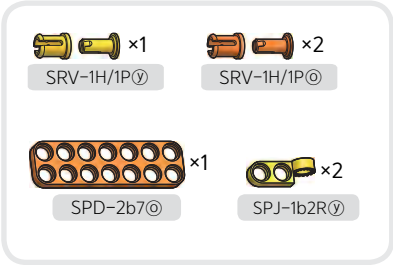
- SRV-1H/1P (K) x4
- SPL-2b3 (W) x1
- SPD-2b15 (C) x1



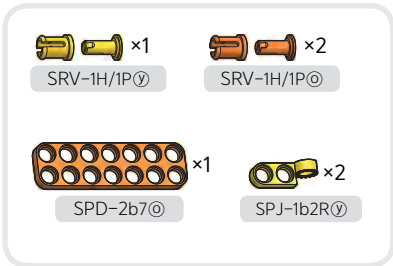
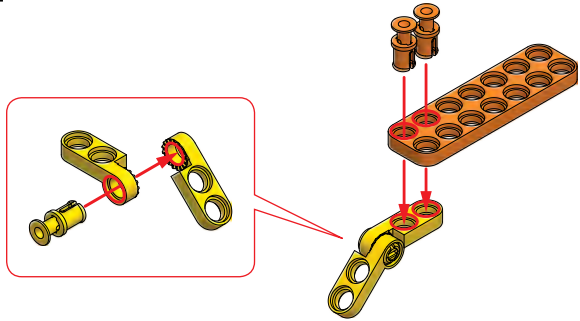
11

- SRV-1H/1P (W) x4
- SPL-2b3 (W) x1
- SPD-2b15 (W) x1

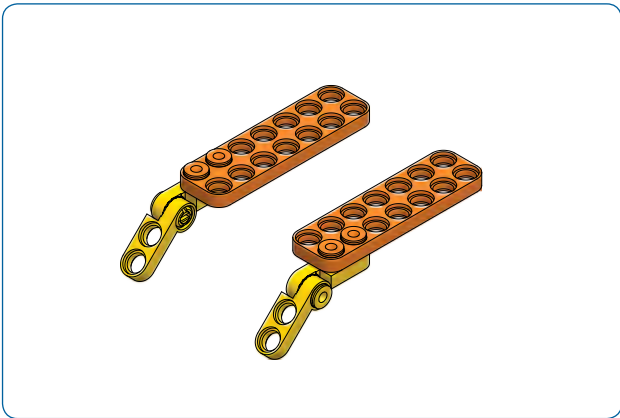
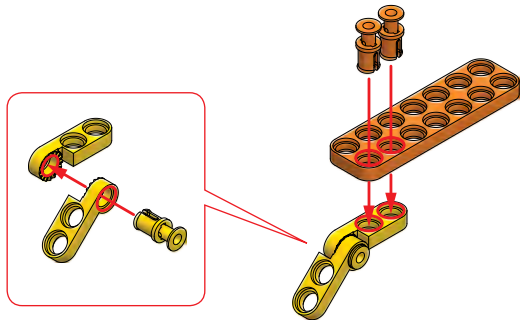







12

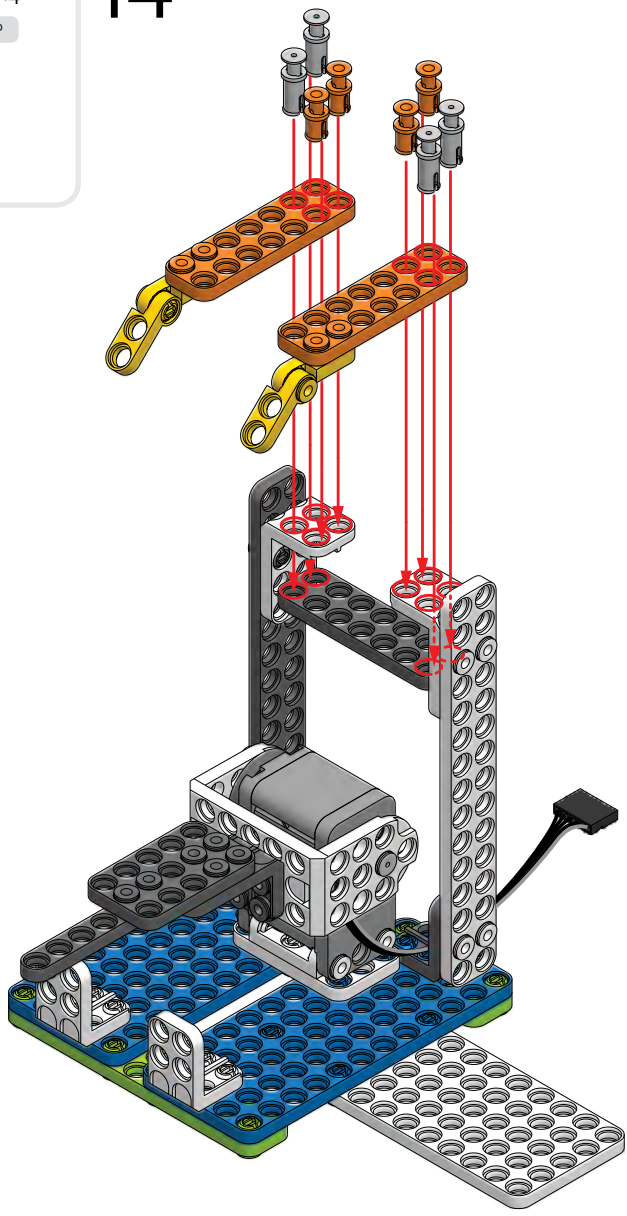


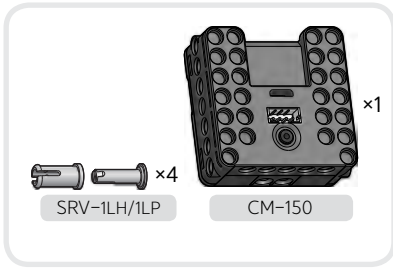
13



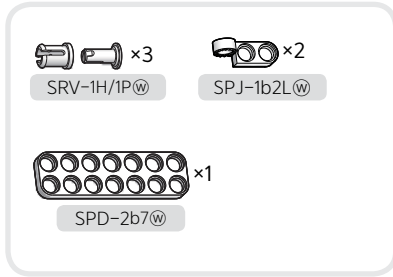
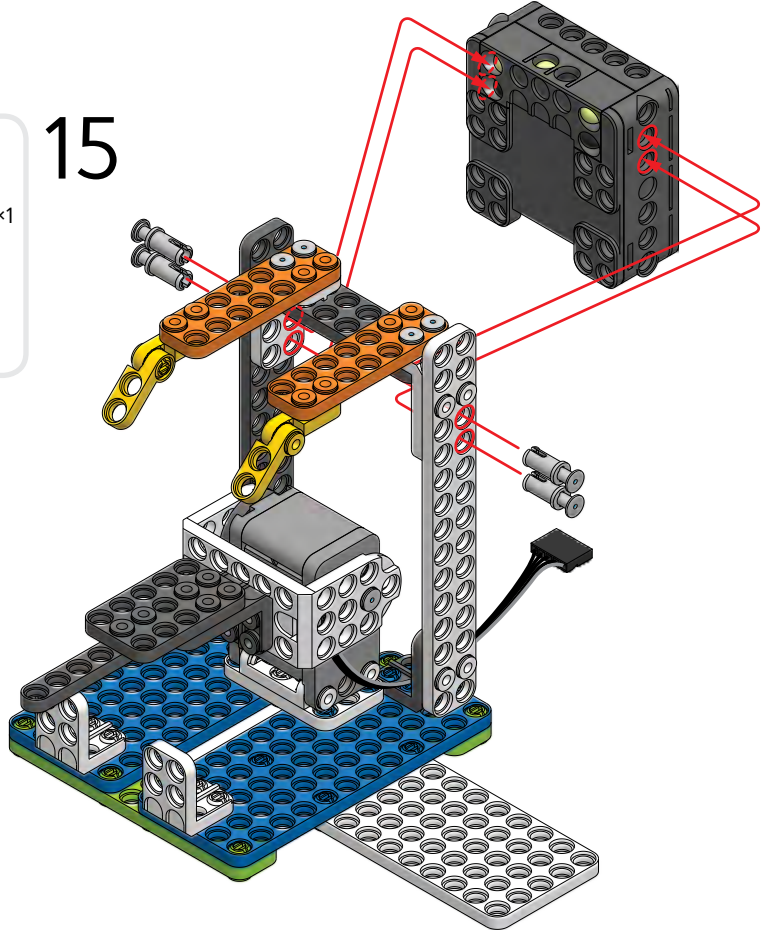
14

-  x4
SRV-1H/1PⓄ
-  x4
SRV-1LH/1LP
-  x1
SPD-2b7(k)

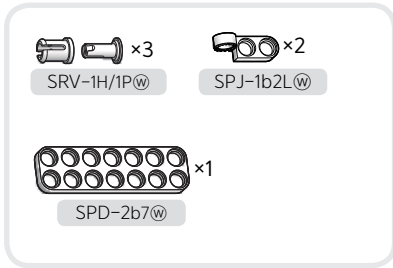
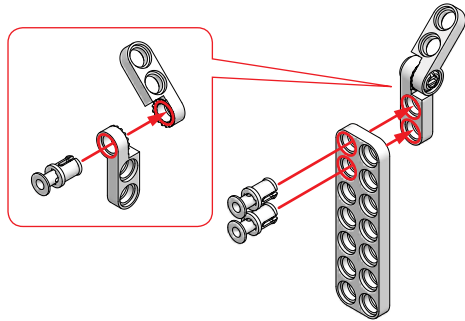




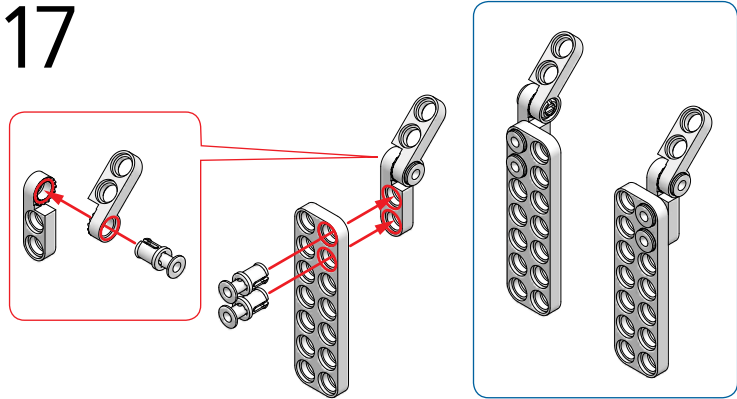
15



16

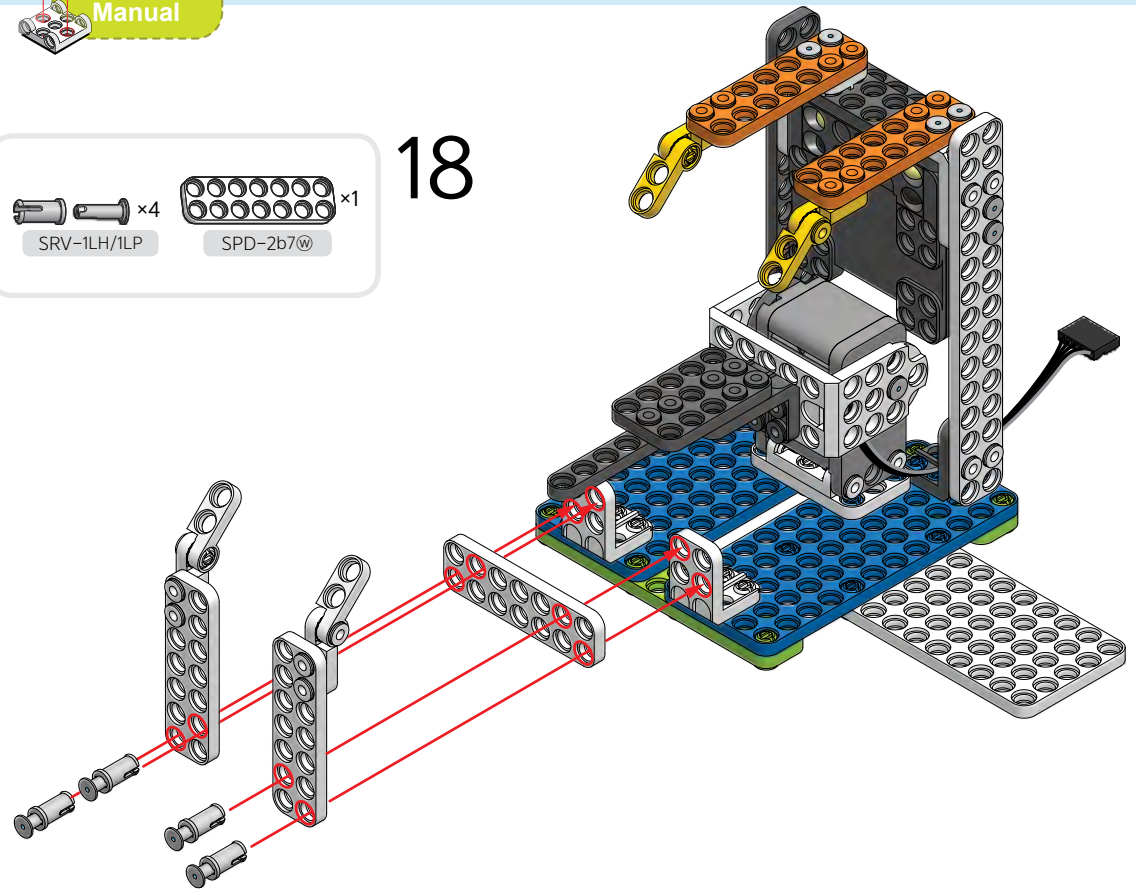


17



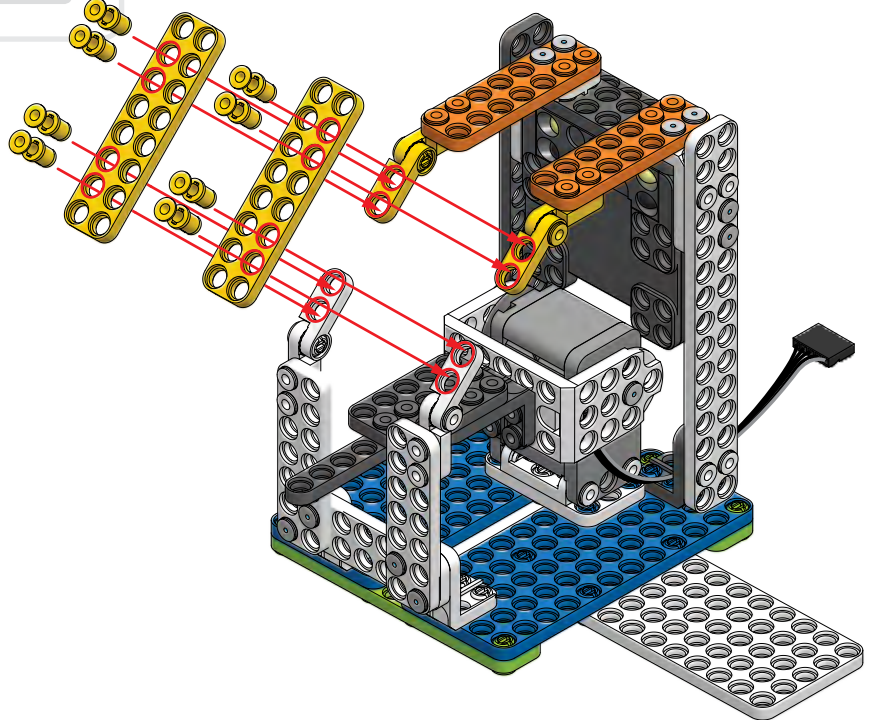
18

- SRV-1LH/1LP x4
- SPD-2b7(w) x1



19

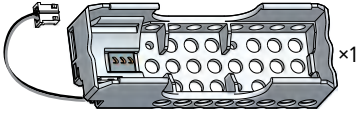
- SRV-1H/1P(y) x8
- SPD-2b8(y) x2



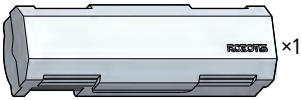
20

SRV-1H/IP Ⓜ ×4

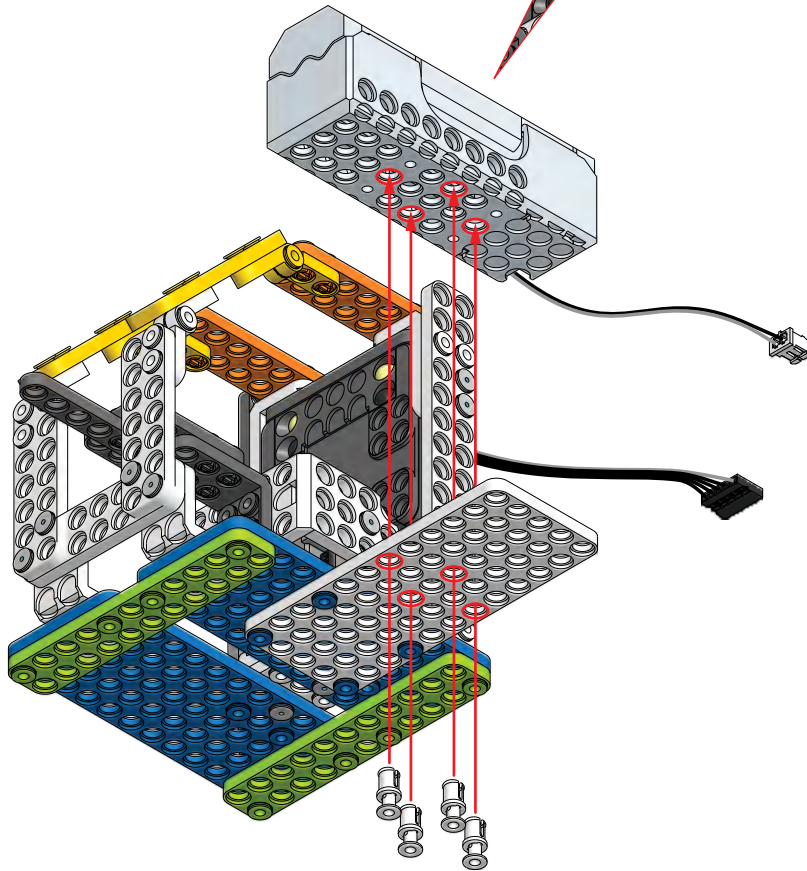
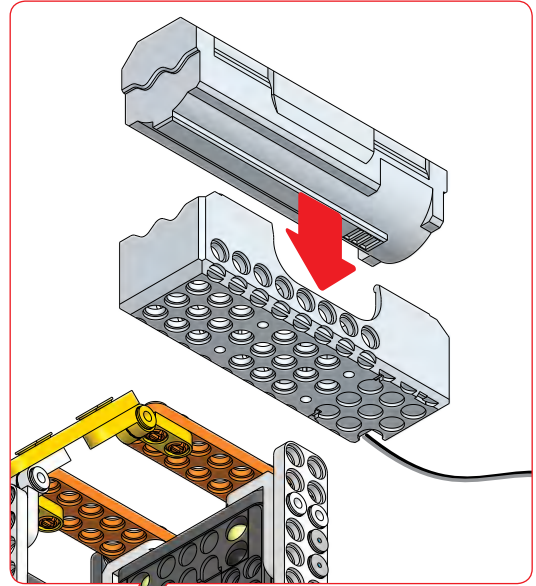
SRV-1H/IP Ⓜ

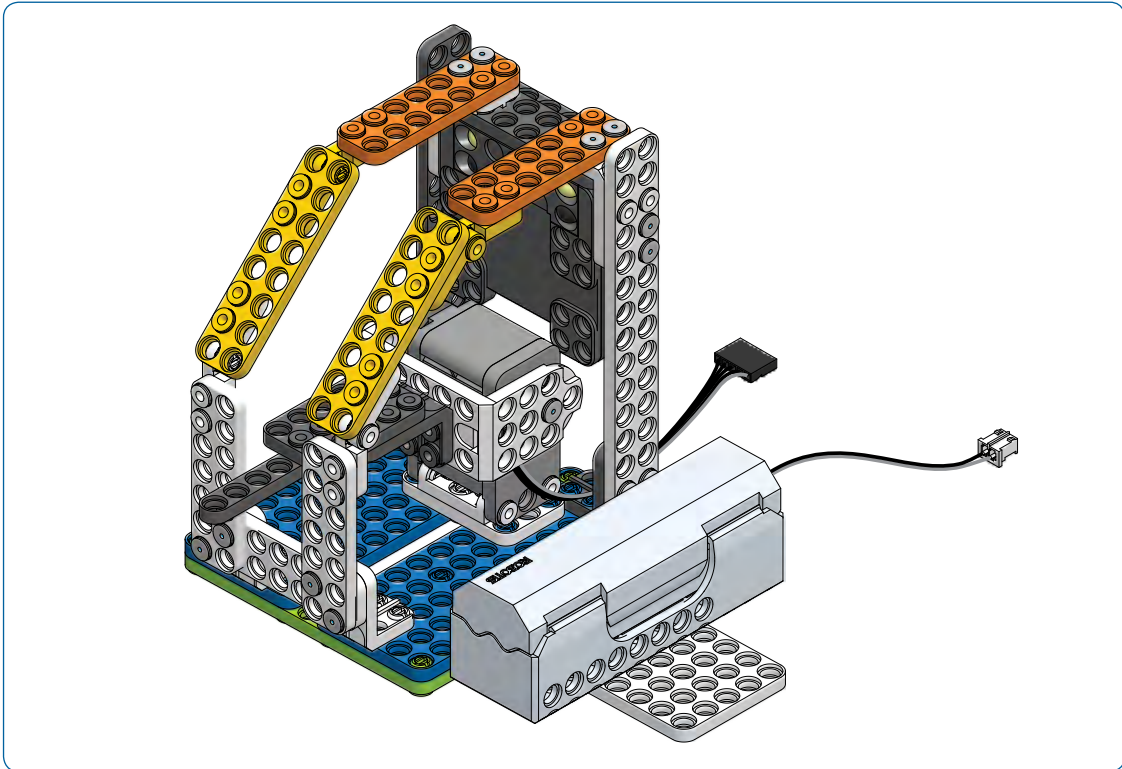


LBB-041




LB-041



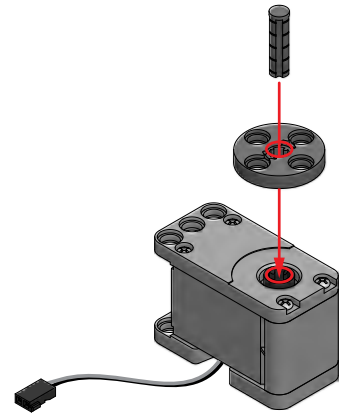


 ×1
 GM

 ×1
 SPO-4HC(k)

 ×1
 SI-15(k)

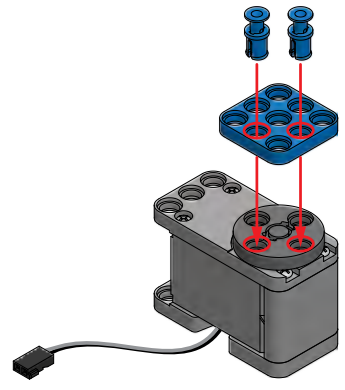
21

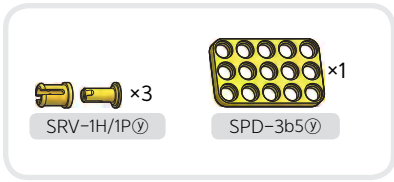


 ×2
 SRV-1H/1P(b)

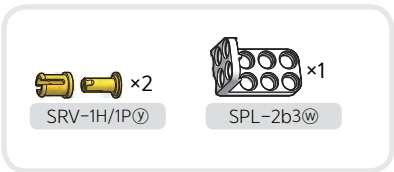
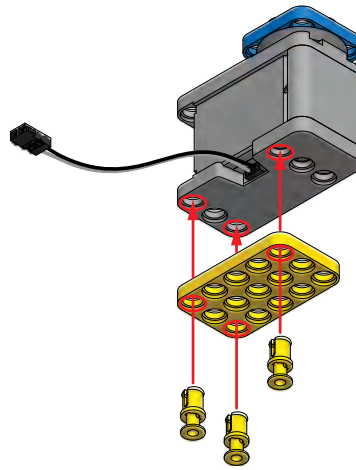
 ×1
 SPD-3b3(b)

22

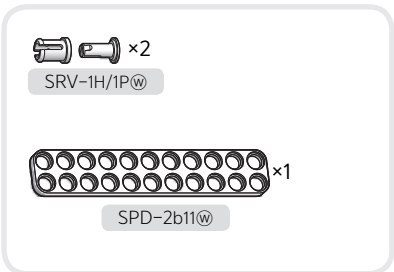
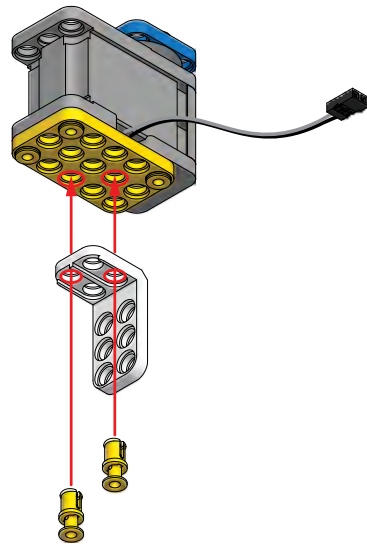




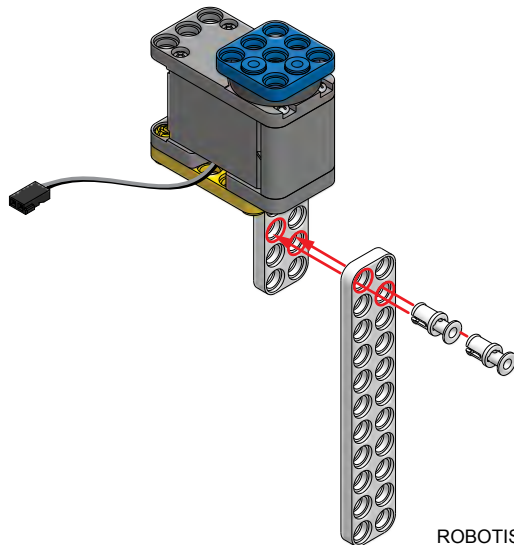
23





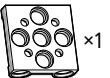
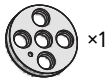
24

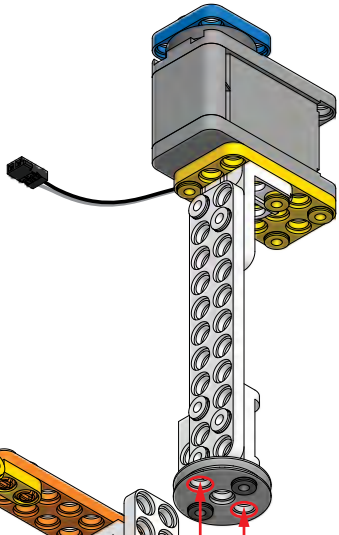
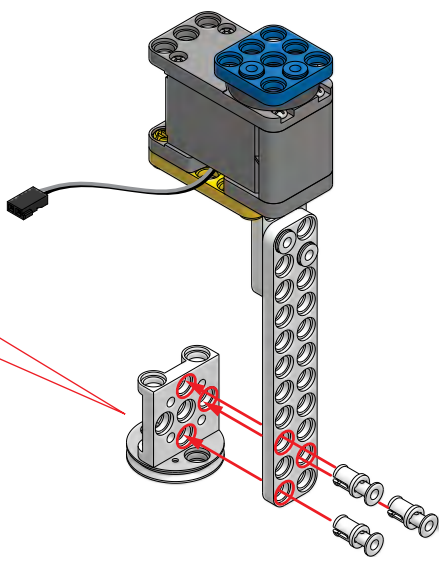
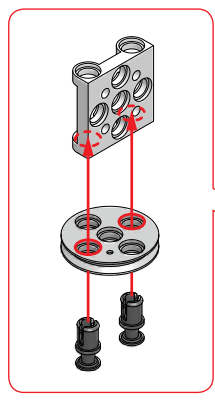
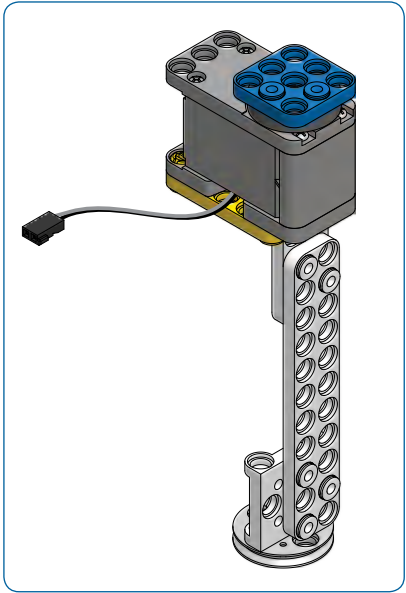


25



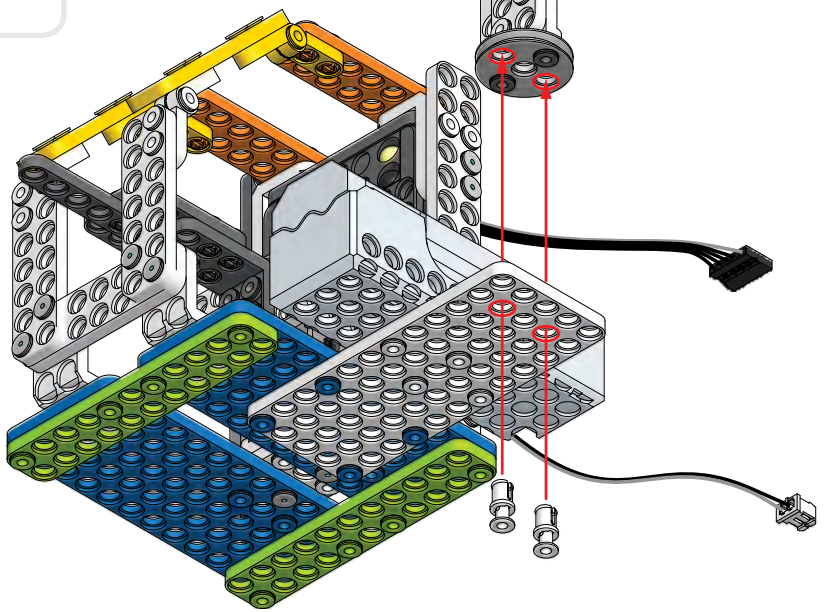
26

-  ×3
-  ×2
-  ×1
-  ×1

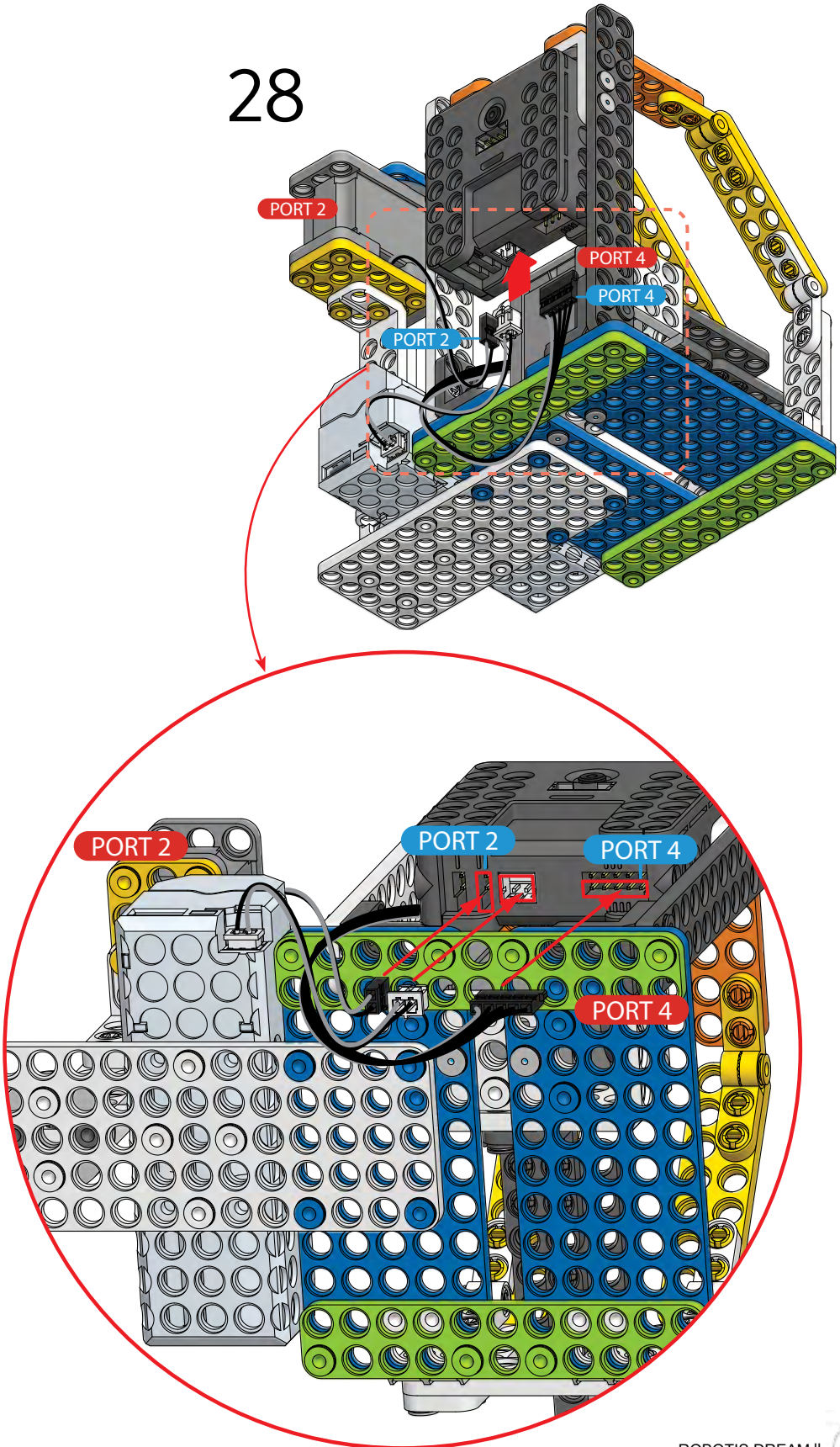


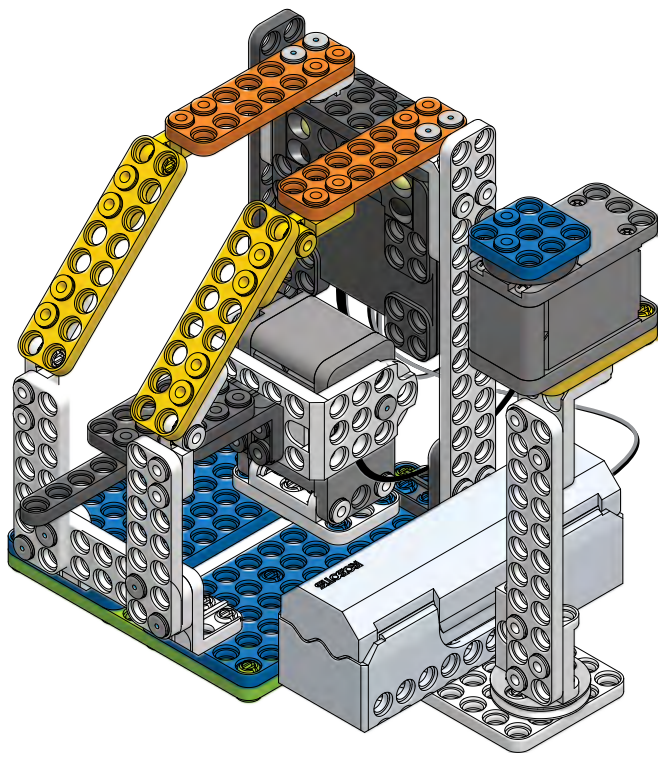
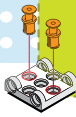
27

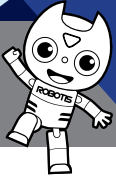
-  ×2



28

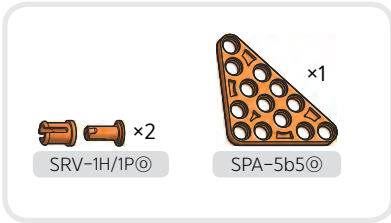




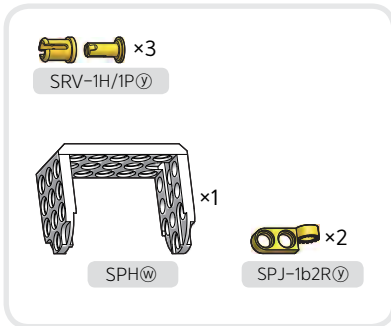
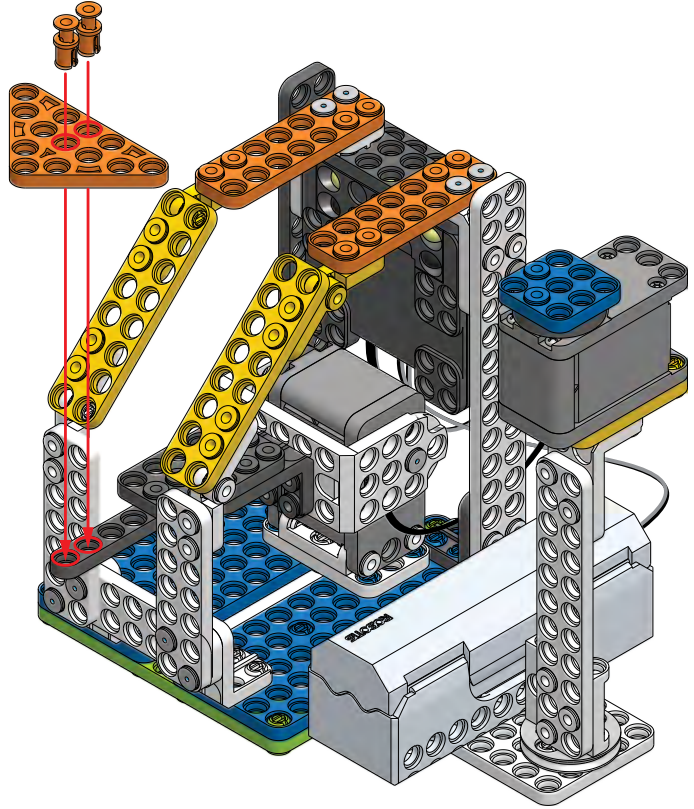


My Own Robot!

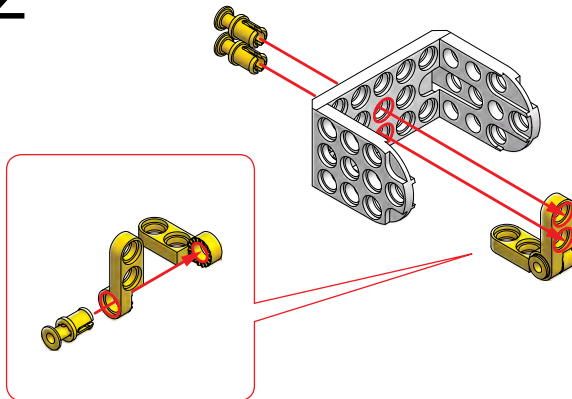
Customize the appearance to make your own unique robot.



1



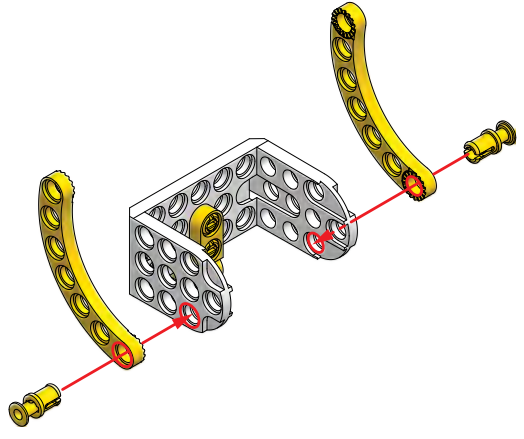
2



×2
SRV-1H/1P

×2
SPJ-1b7C

3



×1
SRV-1H/1P

4

