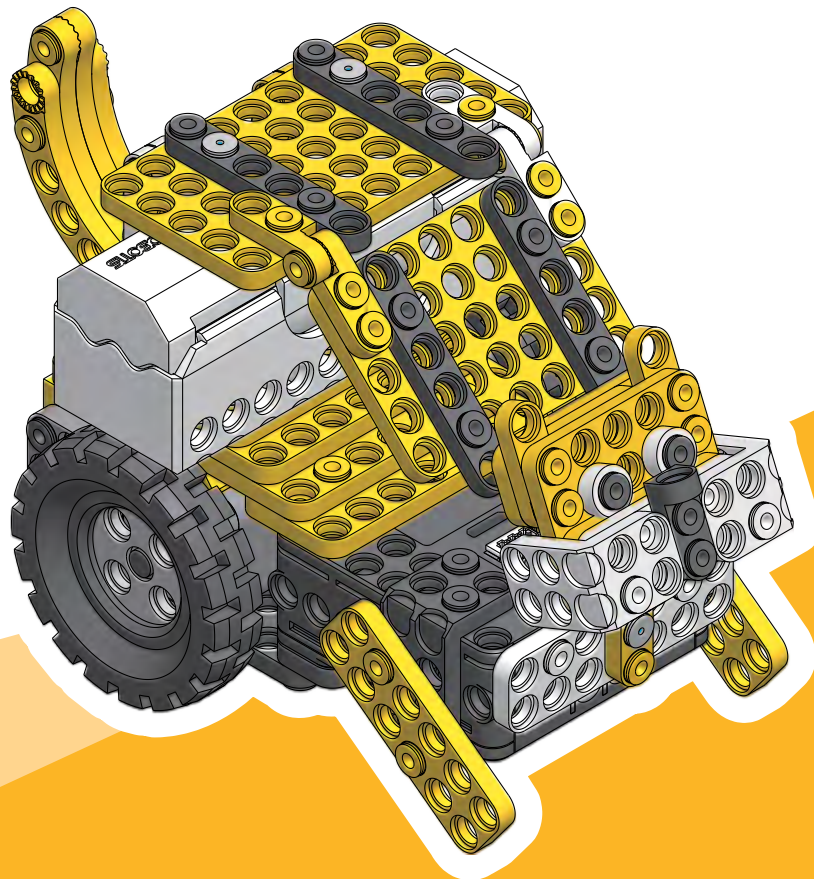




Squirrel

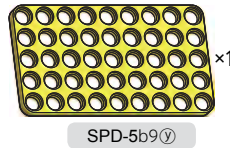
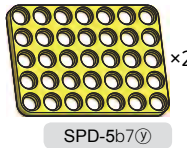
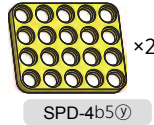
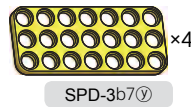
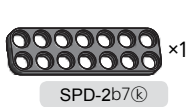
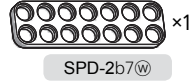
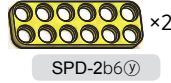
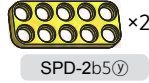
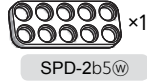
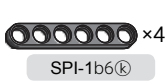


You will require the following parts.

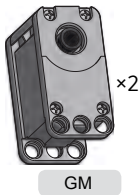
Rivet



Plate



Geared motor



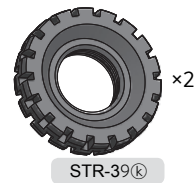
Controller



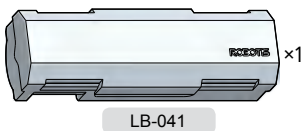
Adaptor



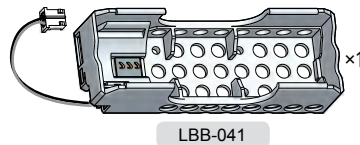
Tire



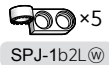
Battery



Battery box



Joint



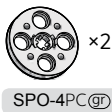
Spacer



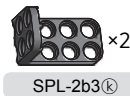
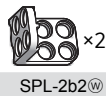
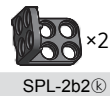
Spindle



Pulley



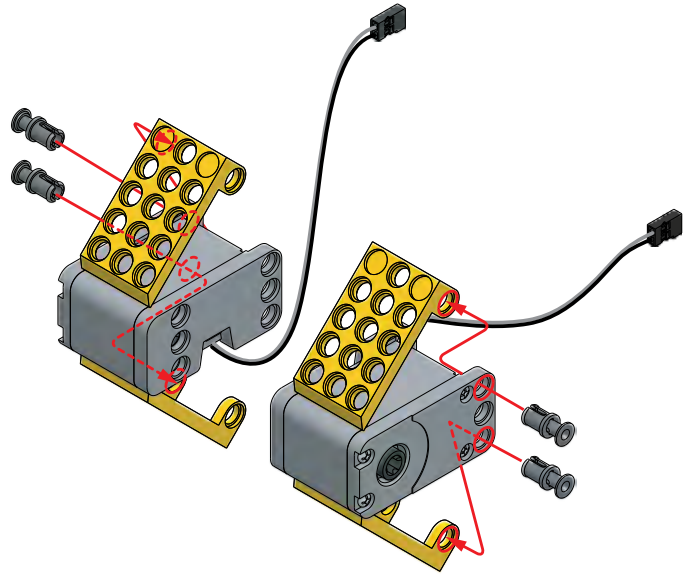
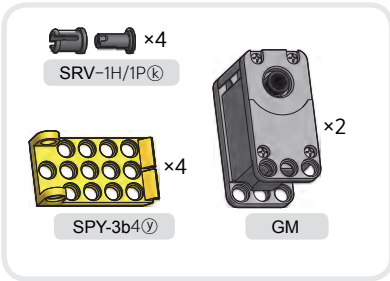
Bracket



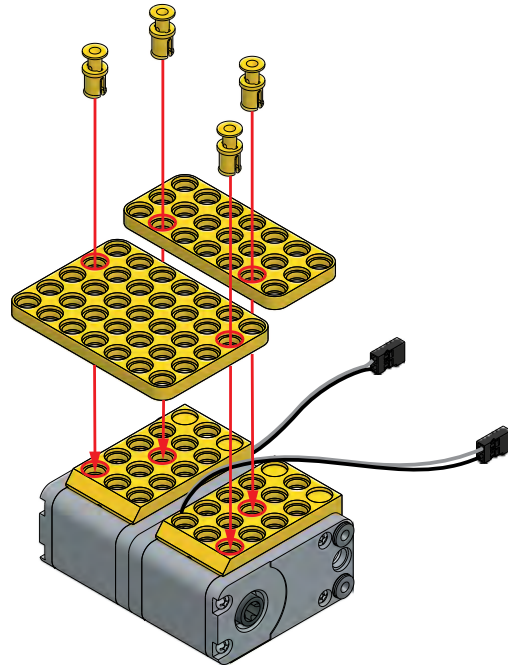
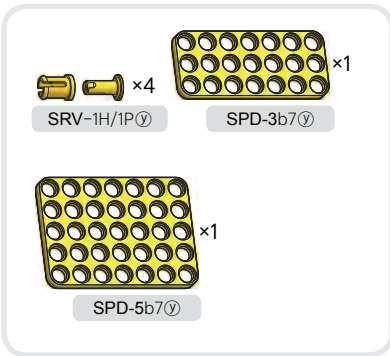
• Parts and color of the products might be different from the images of the assembly manual.


Building a Squirrel Robot.

1

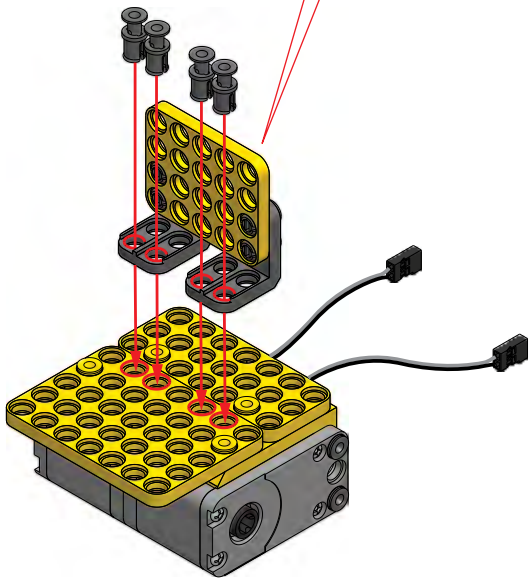
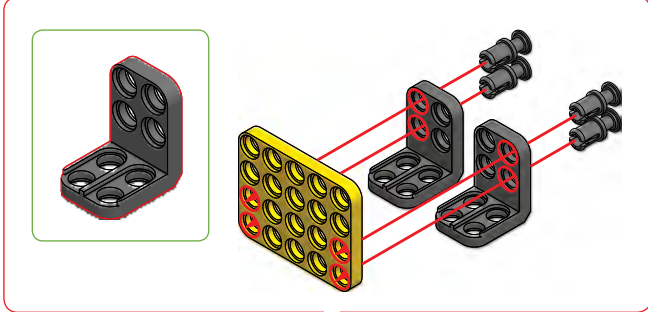



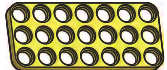
2



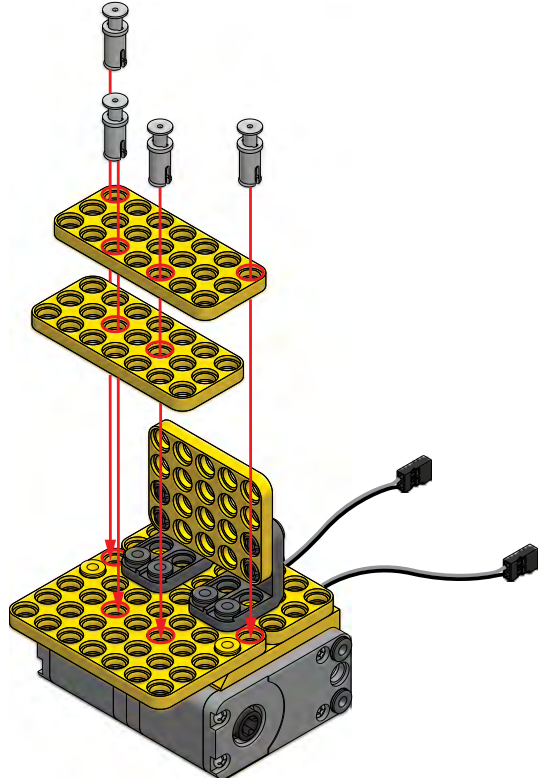
-  x8
SRV-1H/1P (k)
-  x2
SPL-2b2 (k)
-  x1
SPD-4b5 (v)

3

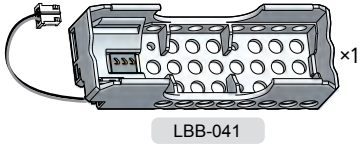


-  x4
SRV-1LH/1LP
-  x2
SPD-3b7 (v)

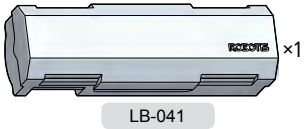
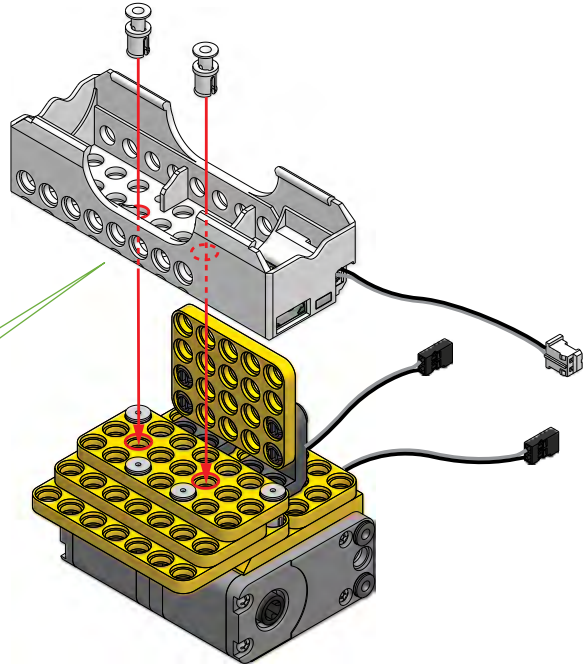
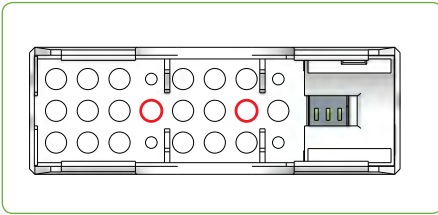
4



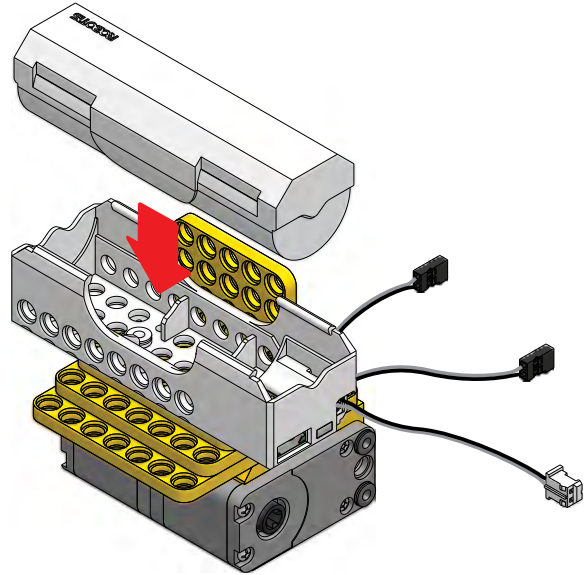
SRV-1H/1PⓂ ×2

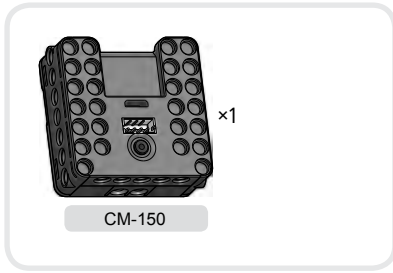


5

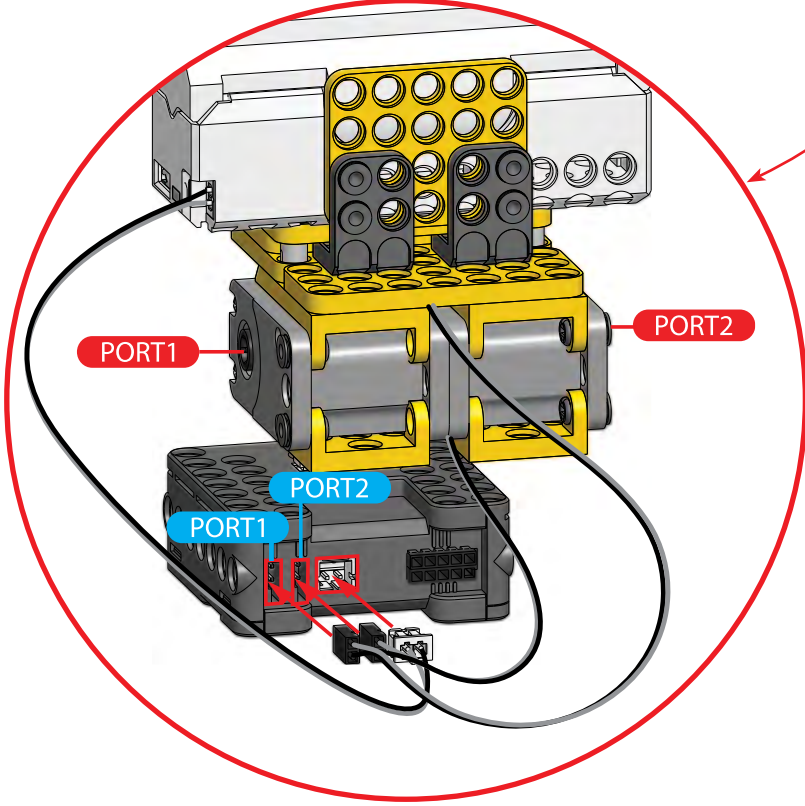
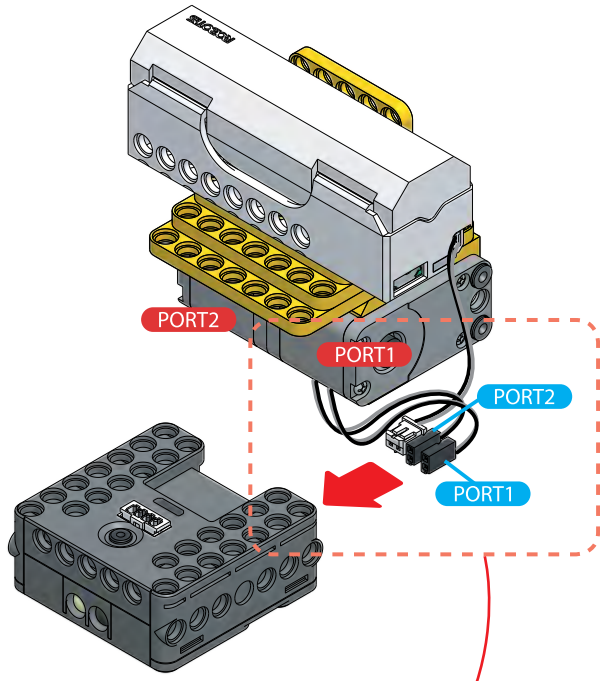


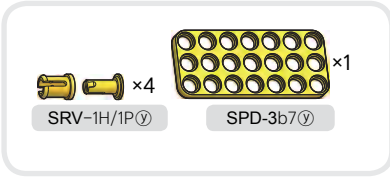
6



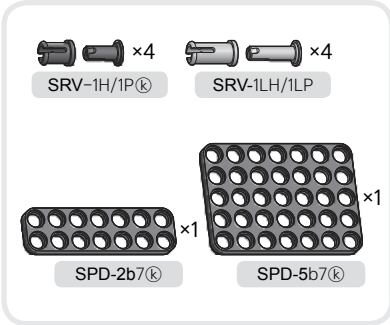
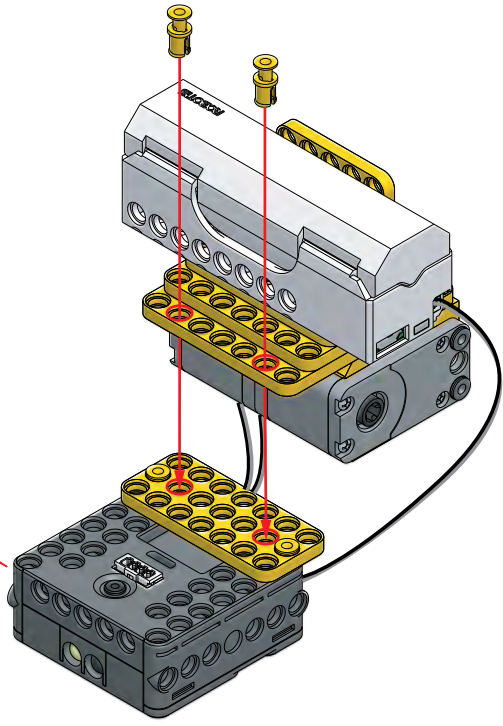
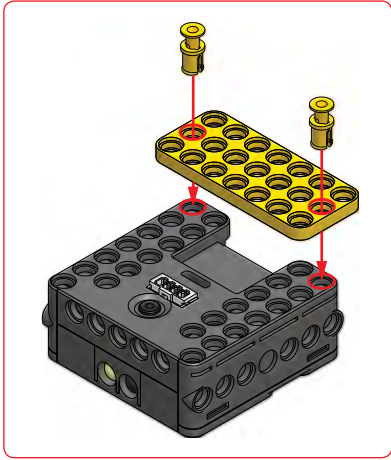


7

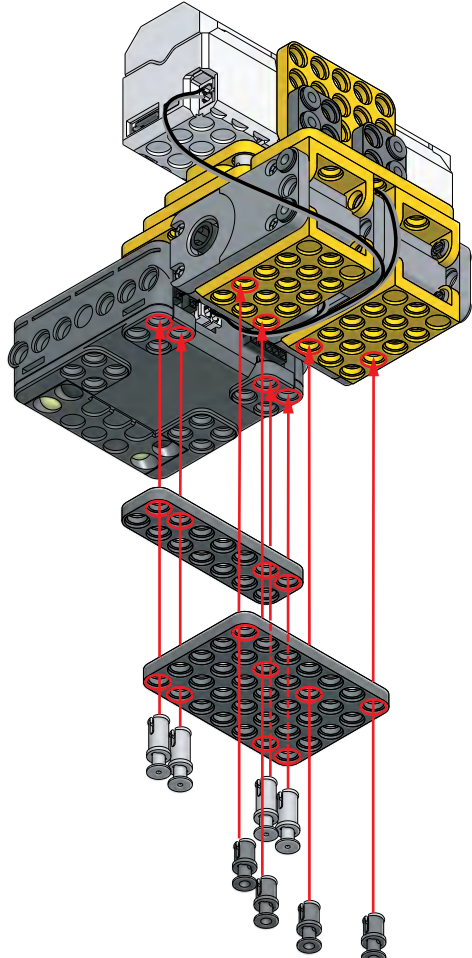
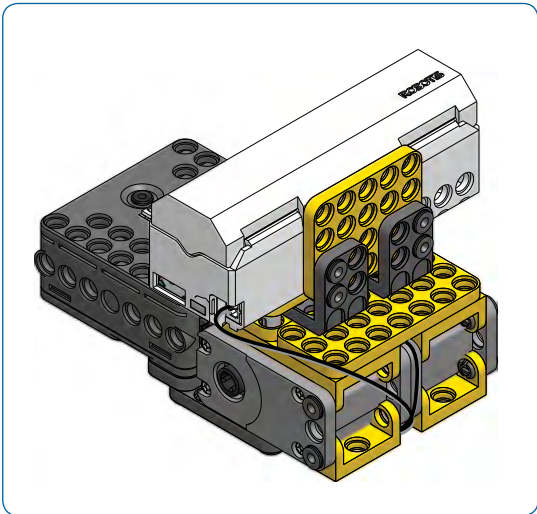




8



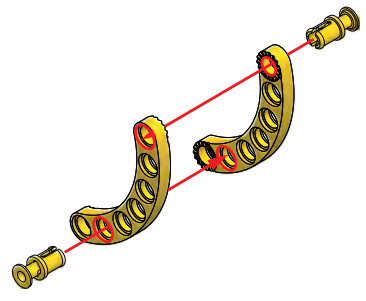
9



10

SRV-1H/1P ×2

SPJ-1b7C ×2



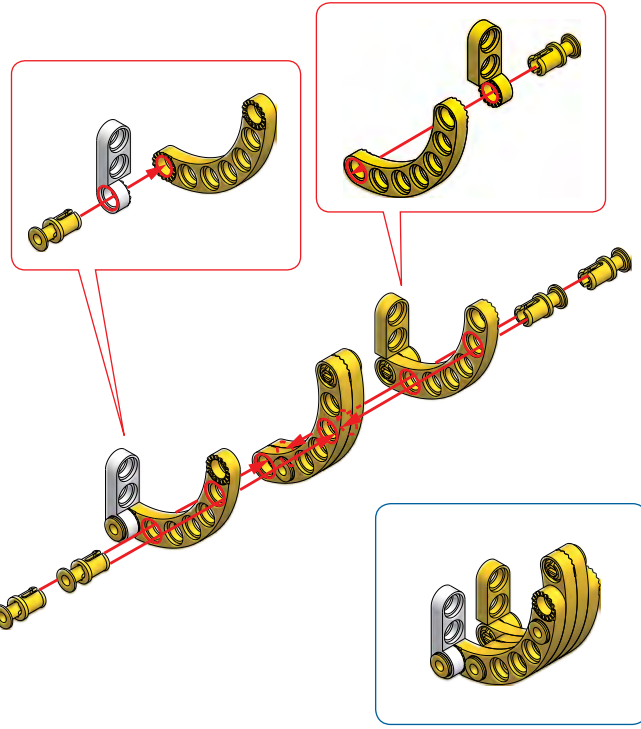
11

SRV-1H/1P ×6

SPJ-1b2R ×1

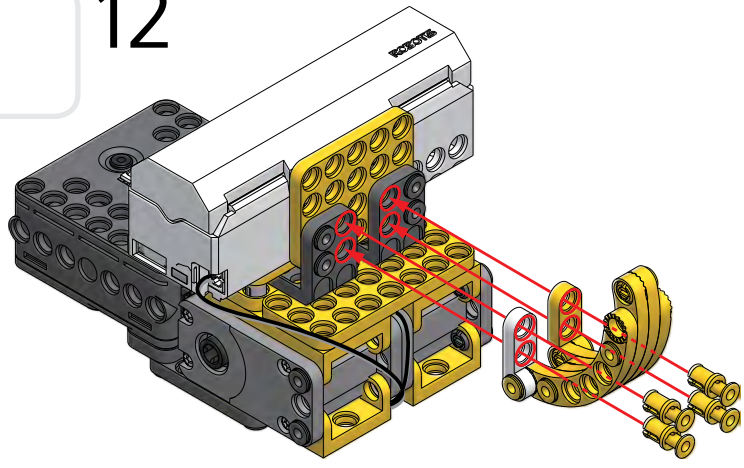
SPJ-1b7C ×2

SPJ-1b2L ×1




12

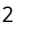
SRV-1H/1P ×4



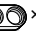
 x6

SRV-1H/1P 

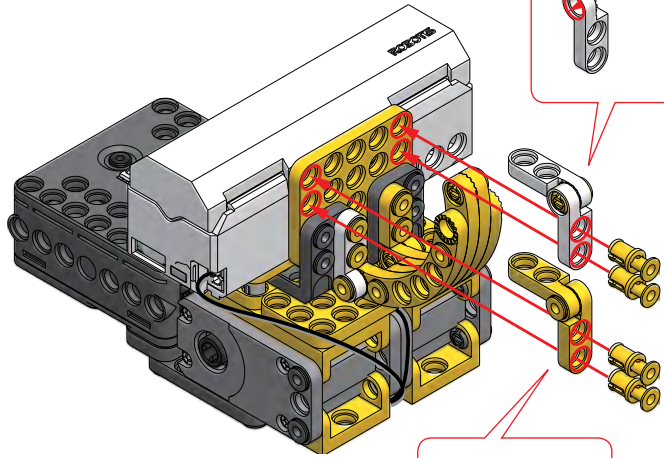
 x2

SPJ-1b2R 


 x2

SPJ-1b2L 

13

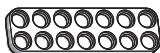



 x2

SRV-1H/1P 


 x4

SRV-1H/1P 

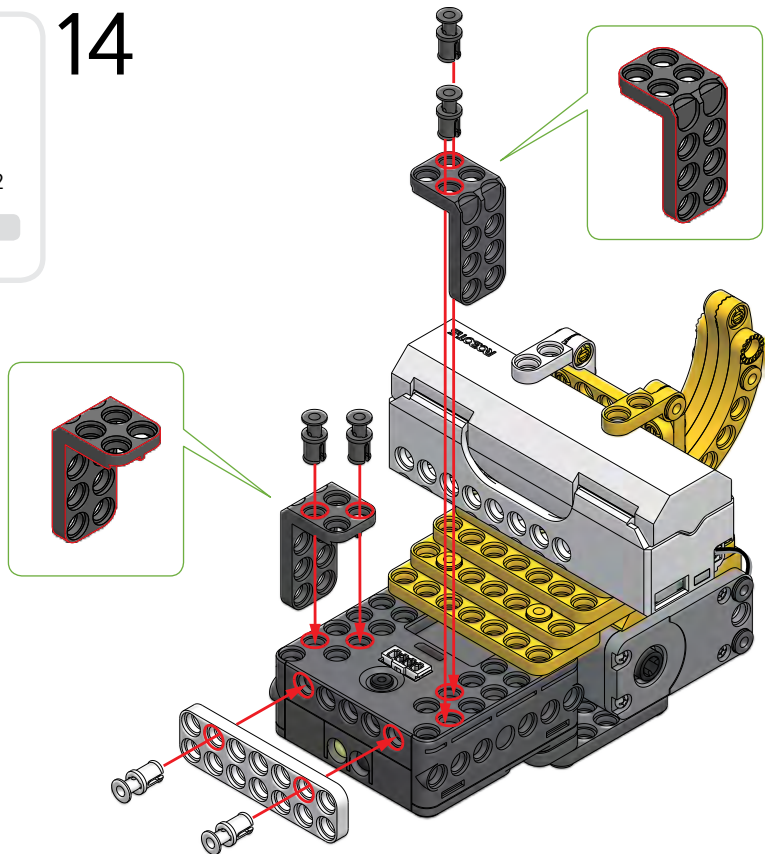
 x1

SPD-2b7 




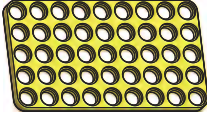
 x2

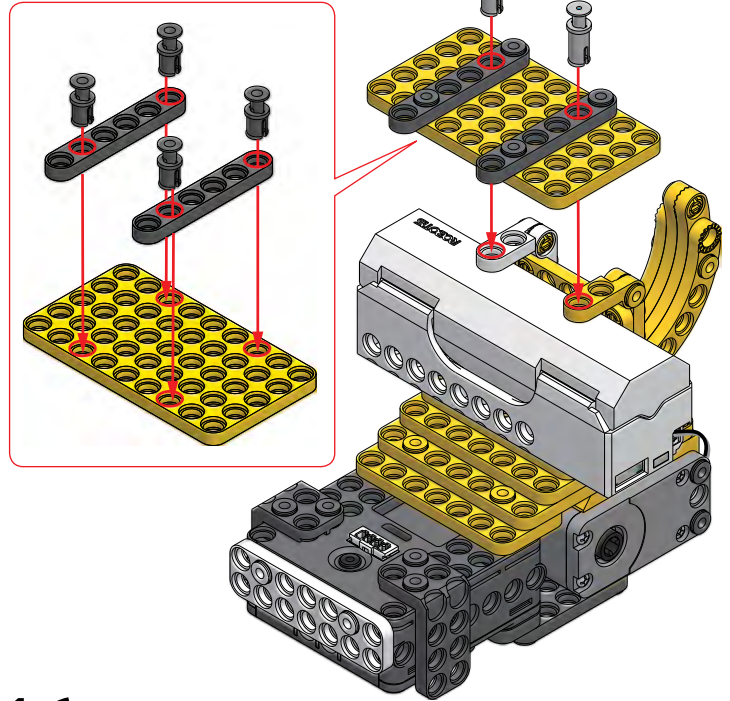
SPL-2b3 

14




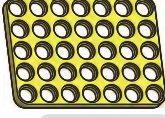




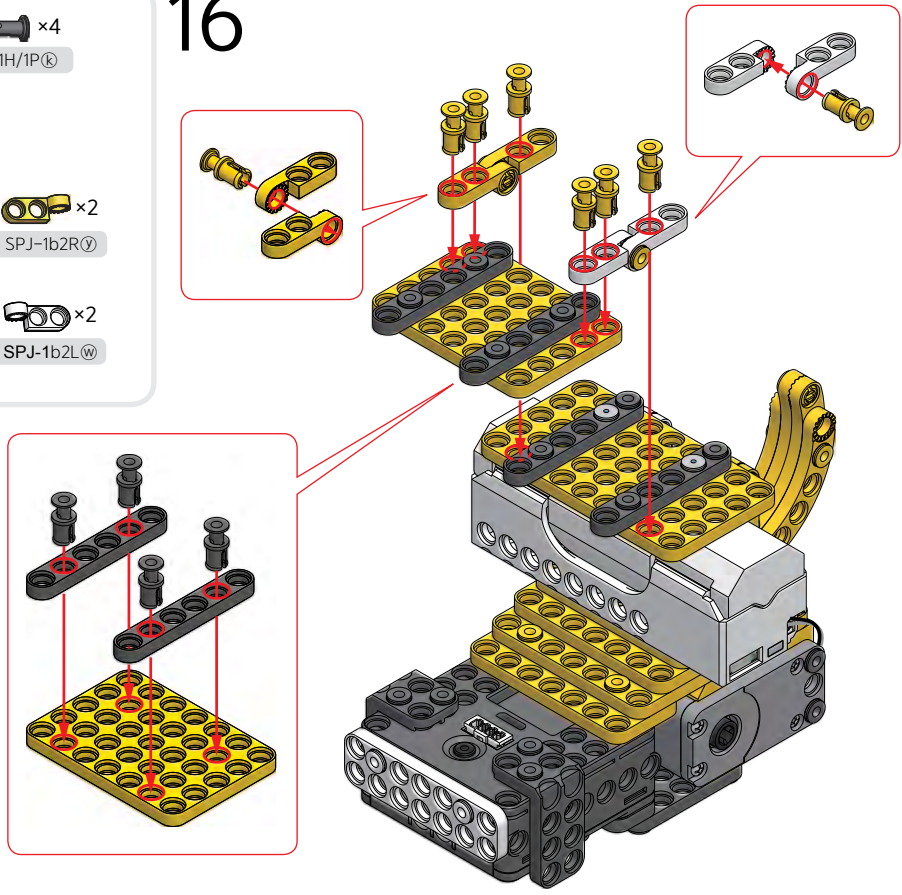
15

-  x4
-  x2
-  x2
-  x1



16

-  x8
-  x4
-  x2
-  x1
-  x2
-  x2

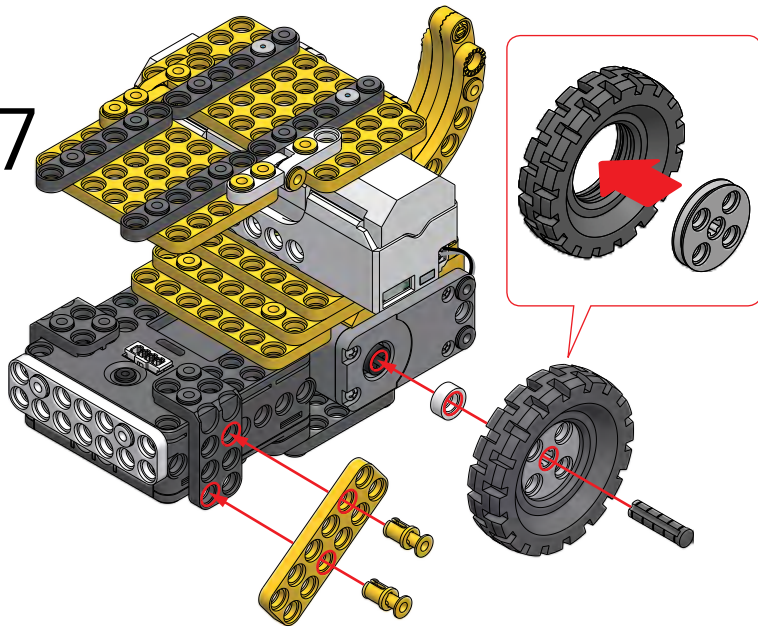


17

SRV-1H/1P $\times 2$ SI-15 $\times 1$

SPD-2b6 $\times 1$ SPO-1A $\times 1$

STR-39 $\times 1$ SPO-4PC $\times 1$

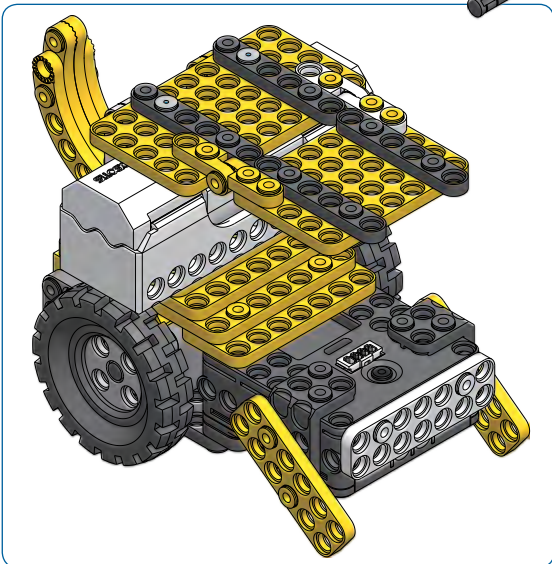
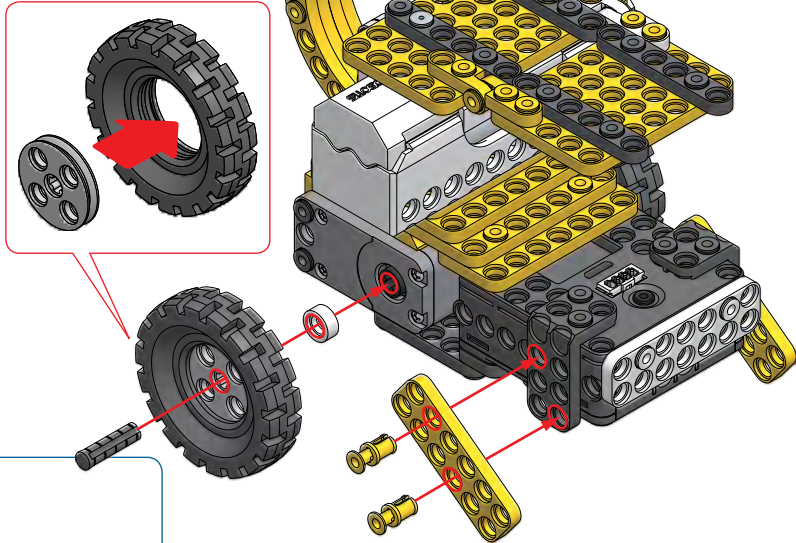


18




SRV-1H/1P $\times 2$ SI-15 $\times 1$

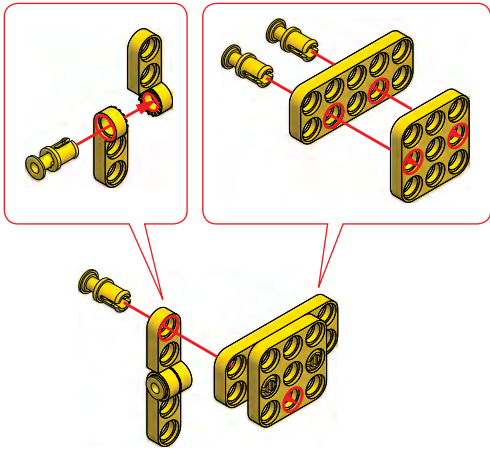
SPD-2b6 $\times 1$ SPO-1A $\times 1$

STR-39 $\times 1$ SPO-4PC $\times 1$






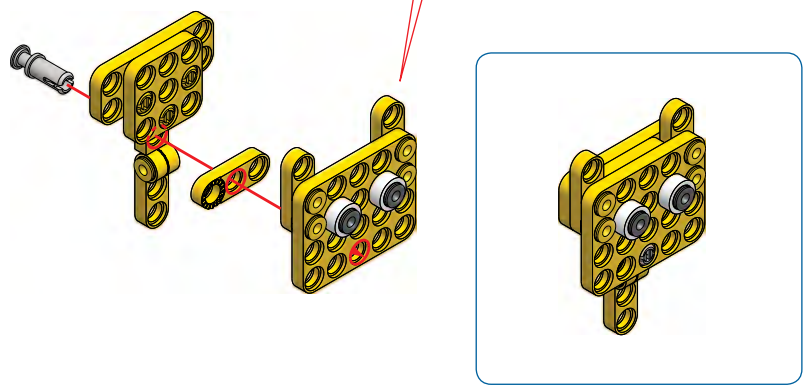
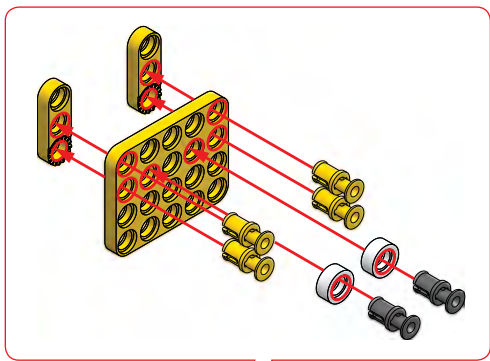
19

-  x4
-  x2
-  x1
-  x1



20

-  x4
-  x2
-  x1
-  x3
-  x1
-  x2





x1

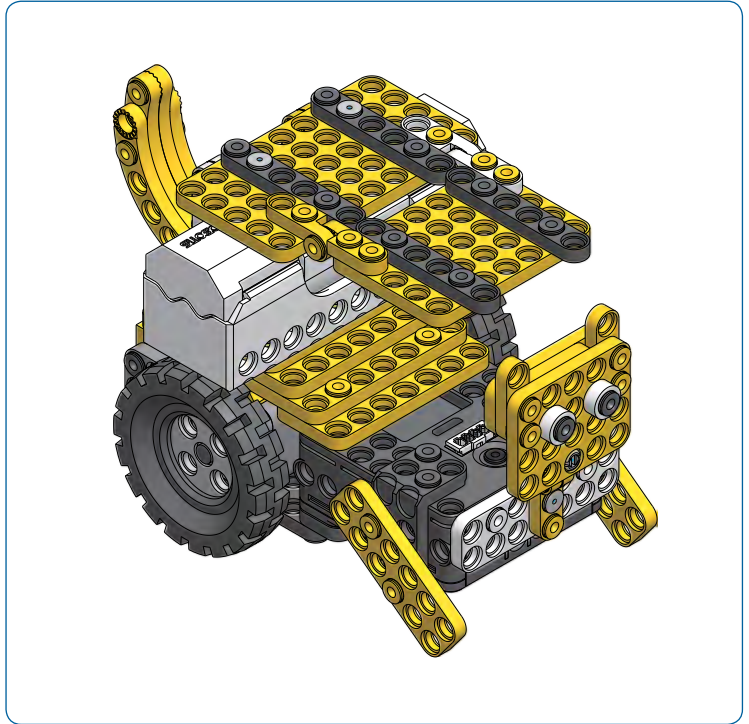
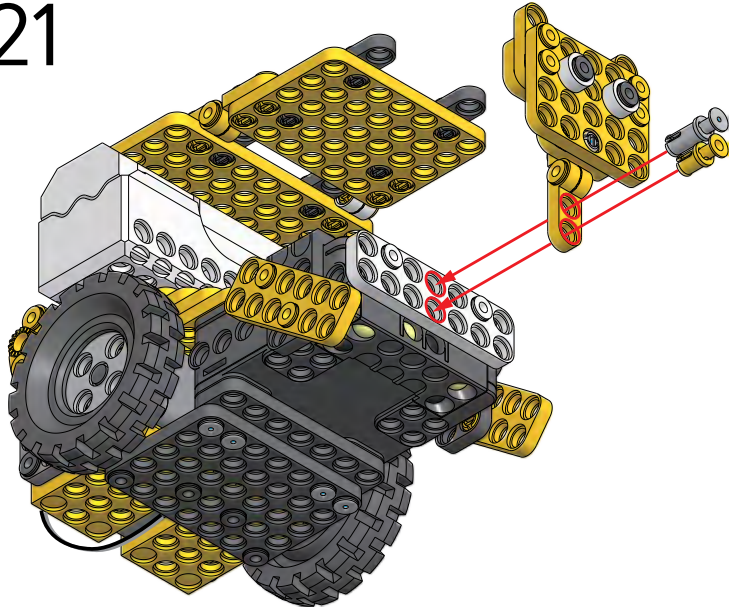
SRV-1H/1P

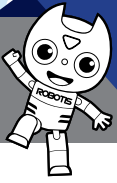


x1

SRV-1LH/1LP

21





My Own Robot!

Customize the appearance to make your own unique robot.

1

×4

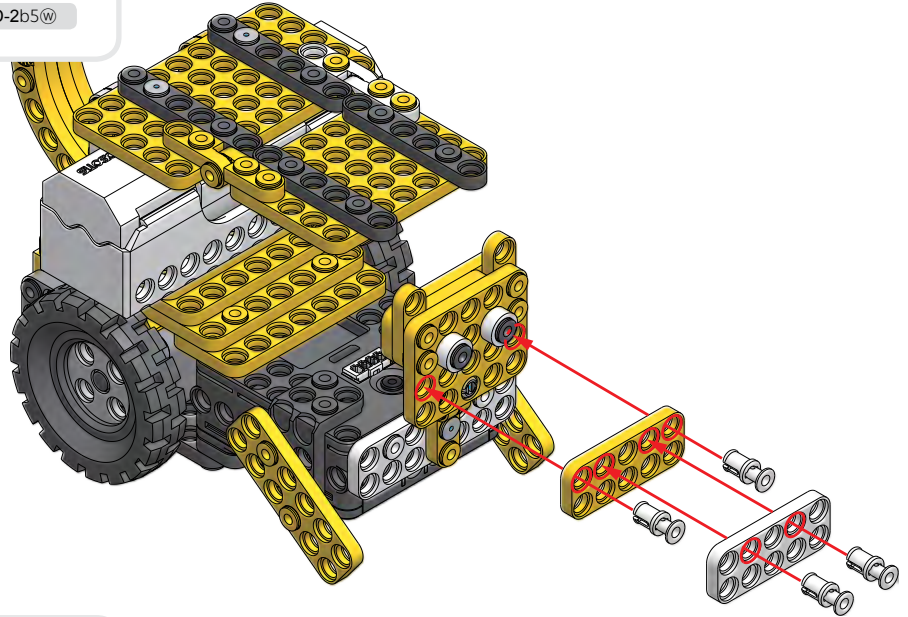
SRV-1H/1P^W

×1

SPD-2b5^Y

×1

SPD-2b5^W



2

×2

SRV-1H/1P^W

×2

SRV-1H/1P^K

×2

SPL-2b2^W

×1

SPL-1b2^K

